



MILESTONE

C A B I N E T R Y



Cabinet Spec Catalog 2023

ABOUT US

Milestone Cabinetry is a premier wholesaler of Kitchen & Bath cabinetry based in Orlando, Florida. Our customer base includes Cabinet Distributors, Kitchen & Bath Showrooms, On-Line Retailers, Home Builders and General Contractors. We have an excellent reputation of providing best-in-class quality products, short lead times, competitive pricing, and exemplary customer service.

We are a large Kitchen & Bath cabinet manufacturer with capabilities of producing over 200,000 cabinets a month. Our factories utilize industry leading technology and equipment to produce high quality wood products and designs. We specialize in stocking a full line of premium grade cabinets with lead times of two to five business days. In addition, we also offer many special order options which includes builder grade series, European style frameless grade series and traditional grade framed cabinets.

Our extensive product line capabilities include the following: Premium Grade Framed Cabinets, Builder Grade Framed Cabinets, European Style Frameless Cabinets, and Builder Grade Cabinets for Multi Family Apartments.



1	Finish	S = Stained P = Painted U = UV Finishing T = Thermofoil Finishing M = Melamine Finishing
2	Box Construction	P = Plywood Box B = Partial Board Box
3	Accessories	M = Metal Drawer Box S = Soft Close Glides E = Epoxy Glides

Please contact your Sales Representative or Customer Service at
(407) 601-7090 or info@milestonecabinetry.com
You can also visit our website at
www.milestonecabinetry.com

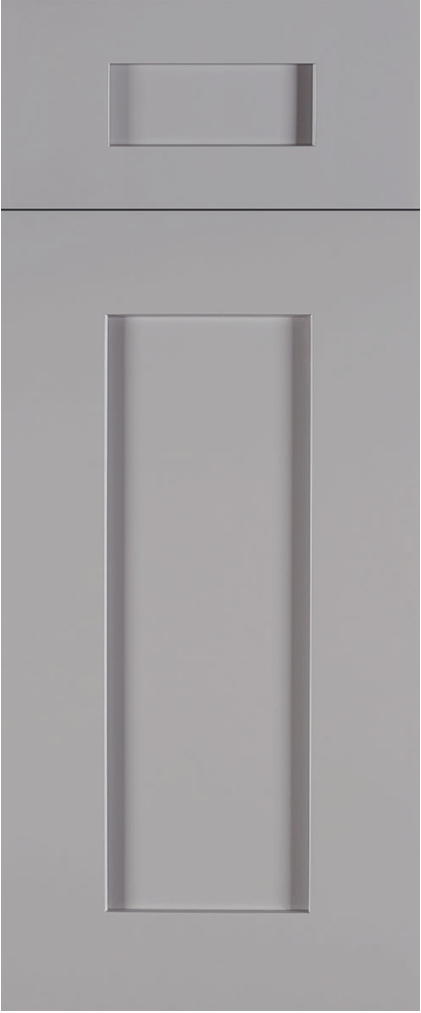
Table of Contents

Shaker Style.....	2-7
Framed Cabinet Construction.....	8
Framed Wall Cabinets.....	9-23
Base Cabinets.....	24-32
Tall Pantry Cabinets.....	33-37
Vanity Cabinets.....	38-41
Accessories & Moulding.....	42-48
How to Order.....	49
Warranty.....	50

**Door Style:
Shaker White**



**Door Style:
Shaker Grey**



**Door Style:
Shaker Espresso**



**Door Style:
Navy Blue**



**Door Style:
Charleston White**



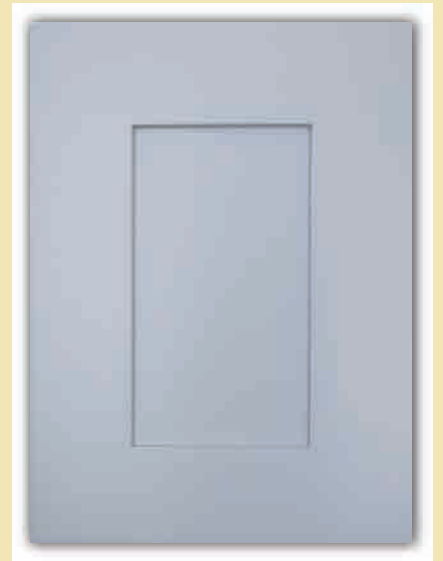
Shaker Style



SE
Shaker Espresso



SW
Shaker White



GR
Shaker Gray



NB
Navy Blue
HDF

Charleston Style



CW
Charleston White

*** Note that at this time not all cabinet SKU's are available in Navy Blue.

CABINET FEATURE

"L" Bracket reinforced base cabinets with 1/2" thick plywood for heavy counters.

Full extension, under-mounted, soft-close steel concealed drawer glides.

3/4 inch thick stretchers applied to the back of the cabinets.

Adjustable 3/4 inch depth metal shelf rest.

1/2 inch thick cabinet-grade plywood.

Clear-coat UV finish throughout

4 1/2 inch toe kick

5-Piece wood door fronts

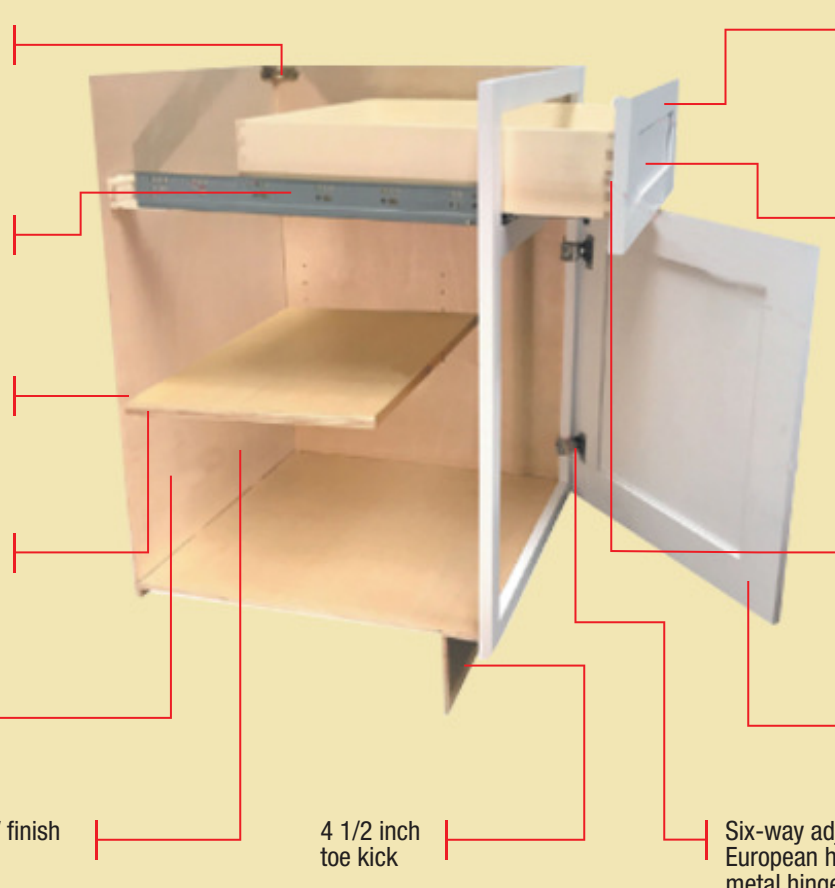
Simple removable drawers for easy cleaning

Ask your Sales Consultant about our latest accessories

Dovetail drawers with 1/2 inch thick solid wood sides

3/4 inch thick full overlay of birch wood door style

Six-way adjustable European hidden metal hinges



1. Full overlay panel, 3/4 inch solid wood
2. 6-way adjustable European-style hinge with soft-close feature
3. Shelving is 3/4 inch thick cabinet-grade plywood with front edge banding.
4. Dovetail drawers with solid wood on all sides, full extension
5. Concealed under-mount full extension drawer glides with soft-close feature
6. 1/2 inch cabinet-grade plywood box, UV coated natural plywood on interior
7. Bracket reinforcements for base cabinet
8. Double-doweled face frame joint
9. Hardwood face frame
10. Door bumpers

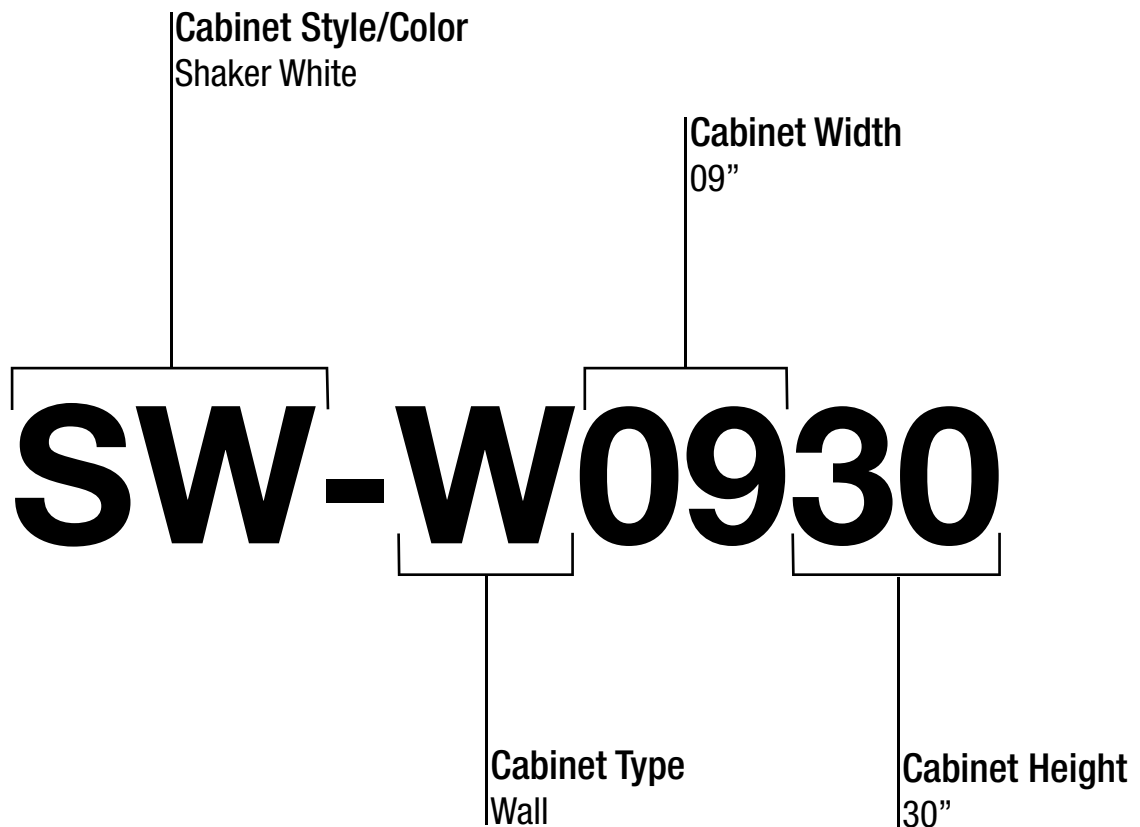
How to Order

To Order:

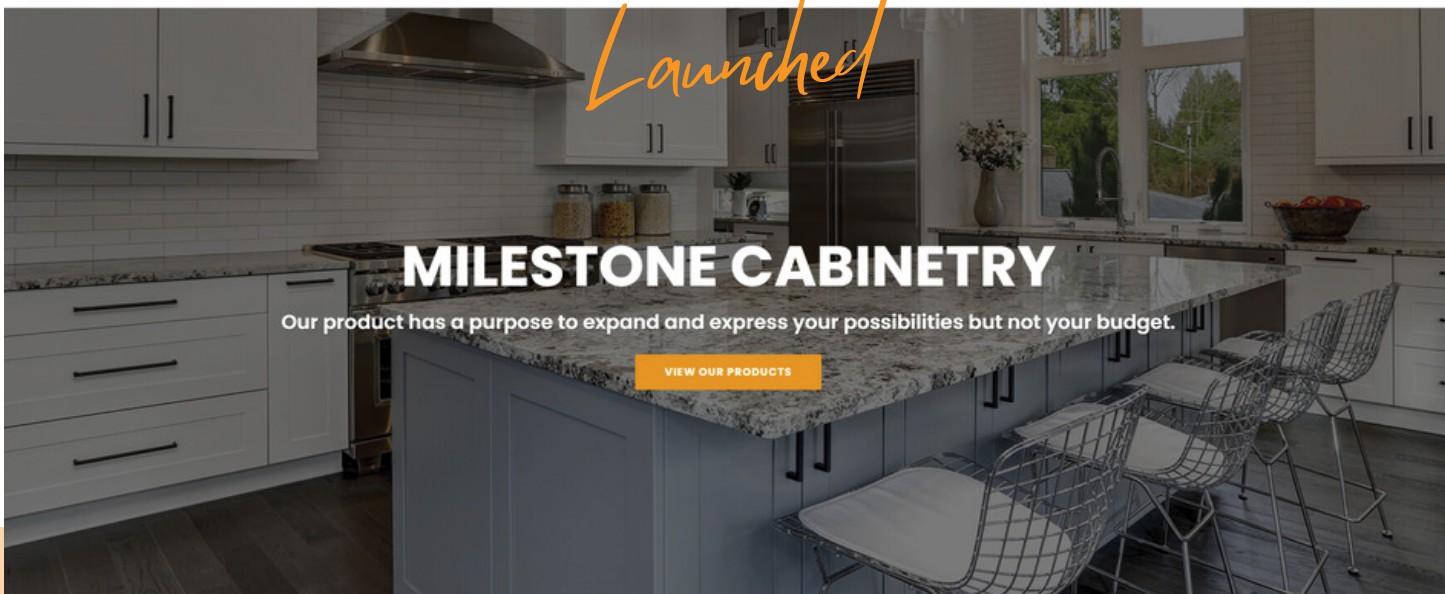
Specify the 2-letter door style, followed by the product number for the cabinet.

Example:

SW-W0930 would be the product number used to order a Shaker White(SW) Wall Cabinet, 09" wide, 30" high.



Launched



HOW TO SIGN UP & ORDER ONLINE

In an effort to streamline the ordering process we have an online order processing system that will expedite your ordering timeline!

1

REGISTER

Register to become a dealer and allow 24 hrs. for your request to be approve

2

APPROVE!

Once approved, you are all set to place order or quote online

3

READY TO ORDER

Select the products and add them to your cart. Review for accuracy and remit payment!

WWW.MILESTONECABINetry.COM

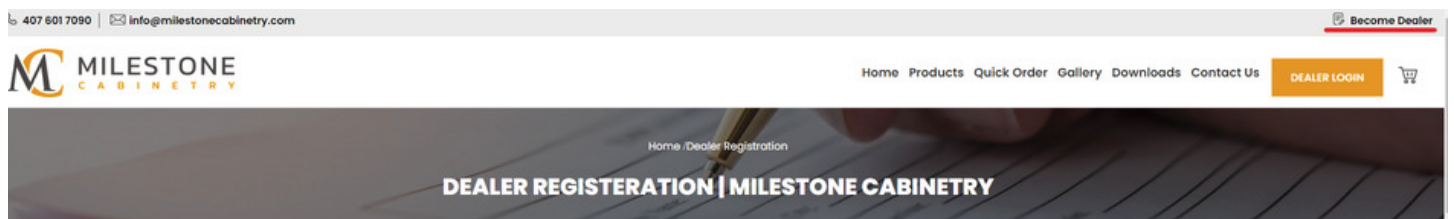
STEP BY STEP GUIDE

STEP 1: REGISTER TO “BECOME A DEALER”

Click on the “Become A Dealer” link on the top right corner and fill out the form with your business information.

Once your application is received, it will be reviewed and processed within 24 hours. You will receive an email to notify you once your account is activate. Your pricing will be established once your account is activated.

01



STEP 2: APPROVE AND READY TO ORDER

Once your account is approved, you will receive an email notifying you and confirming that you are all set to place order or quote online. Select the cabinet style you would like to order by clicking on style pictures.

02

FRAMED CABINETS

SHAKER ESPRESSO



SHAKER WHITE



SHAKER GRAY



CHARLESTON WHITE



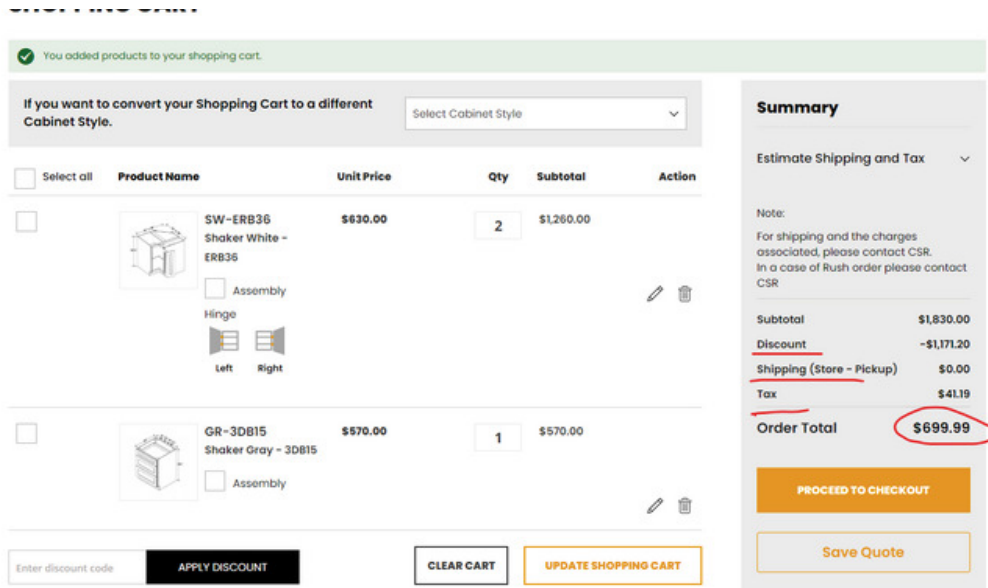
NAVY BLUE



STEP 3: SELECT PRODUCTS TO ORDER

03

Add the desired SKU to your shopping cart. You can sort the items by using the category product list. Once you have added the desired items, click to "Checkout" and continue to enter your information (contact, payment and shipping if apply)



STEP 4: KEEP AN EYE FOR UPDATES

04

Once your order is submitted you will receive an email confirming your order. Once your order is ready to PICK UP OR SHIP OUT, you will receive an "Update to your Milestone Cabinetry order" that will include your sales order confirmation number as well as the pick up/ship out date



Hello,

Your order #2000000013 has been updated with a status of **Complete**.

You can check the status of your order by [logging into your account](#).

If you have questions about your order, you can email us at info@milestonecabinetry.com.

Your sales order is SOMC you can pick up on 03/14

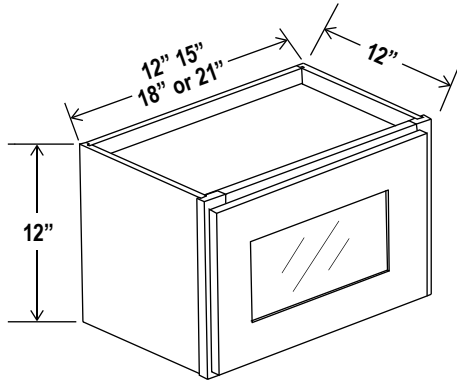
Wall Cabinets



Wall Cabinet Single Glass Door

12"H

Item Code		W	H	D
W1212GD	Cabinet	12	12	12
	Door	11 1/2	11	3/4
W1512GD	Cabinet	15	12	12
	Door	14 1/2	11	3/4
W1812GD	Cabinet	18	12	12
	Door	17 1/2	11	3/4
W2112GD	Cabinet	21	12	12
	Door	20 1/2	11	3/4

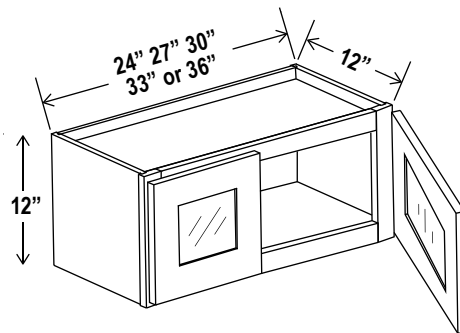


Clear glass included
Color Matched Interior

Wall Cabinet Double Glass Doors

12"H

Item Code		W	H	D
W2412GD	Cabinet	24	12	12
	Door	11 3/4	11	3/4
W2712GD	Cabinet	27	12	12
	Door	13 1/4	11	3/4
W3012GD	Cabinet	30	12	12
	Door	14 3/4	11	3/4
W3312GD	Cabinet	33	12	12
	Door	16 1/4	11	3/4
W3612GD	Cabinet	36	12	12
	Door	17 3/4	11	3/4

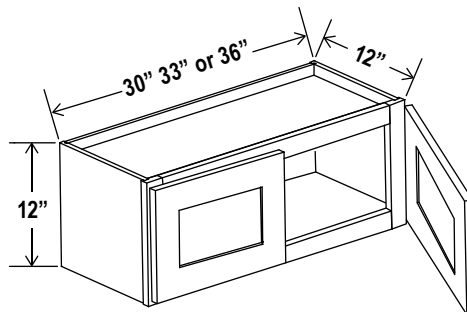


Clear glass included
Color Matched Interior

Wall Cabinet Double Doors

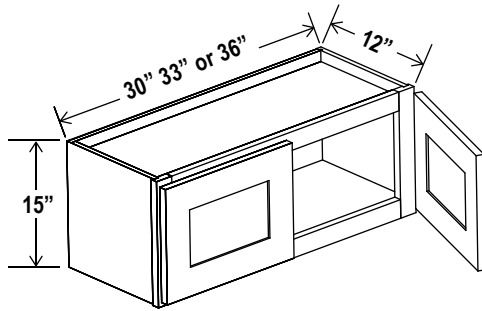
12"H

Item Code		W	H	D
W3012	Cabinet	30	12	12
	Door	14 3/4	11	3/4
W3312	Cabinet	33	12	12
	Door	16 1/4	11	3/4
W3612	Cabinet	36	12	12
	Door	17 3/4	11	3/4



No shelf

15”H

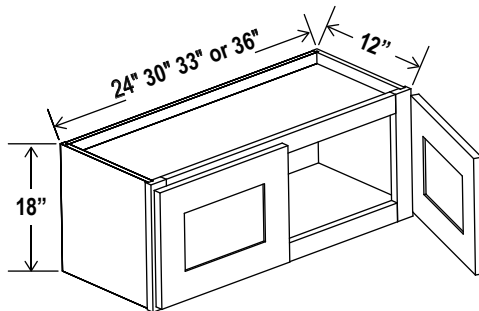


Wall Cabinet Double Doors

Item Code		W	H	D
W3015	Cabinet	30	15	12
	Door	14 3/4	14	3/4
W3315	Cabinet	33	15	12
	Door	16 1/4	14	3/4
W3615	Cabinet	36	15	12
	Door	17 3/4	14	3/4

No shelf

18”H

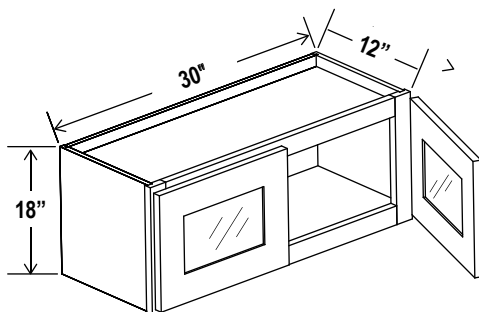


Wall Cabinet Double Doors

Item Code		W	H	D
W2418	Cabinet	24	18	12
	Door	11 3/4	17	3/4
W3018	Cabinet	30	18	12
	Door	14 3/4	17	3/4
W3318	Cabinet	33	18	12
	Door	16 1/4	17	3/4
W3618	Cabinet	36	18	12
	Door	17 3/4	17	3/4

No shelf

18”H



Wall Cabinet Double Glass Doors

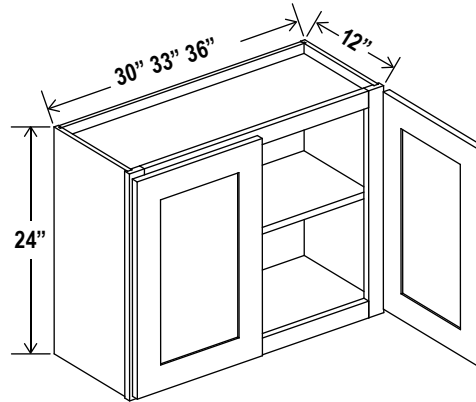
Item Code		W	H	D
W3018GD	Cabinet	30	18	12
	Door	14 3/4	17	3/4

Clear glass included
Color Matched Interior

Wall Cabinet Double Doors

24" H

Item Code		W	H	D
W3024	Cabinet	30	24	12
	Door	14 3/4	23	3/4
W3324	Cabinet	33	24	12
	Door	16 1/4	23	3/4
W3624	Cabinet	36	24	12
	Door	17 3/4	23	3/4

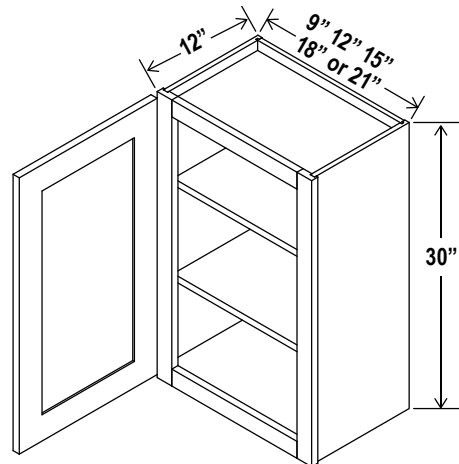


One adjustable shelf

Wall Cabinet Single Door

30" H

Item Code		W	H	D
W0930	Cabinet	9	30	12
	Door	8 1/2	29	3/4
W1230	Cabinet	12	30	12
	Door	11 1/2	29	3/4
W1530	Cabinet	15	30	12
	Door	14 1/2	29	3/4
W1830	Cabinet	18	30	12
	Door	17 1/2	29	3/4
W2130	Cabinet	21	30	12
	Door	20 1/2	29	3/4

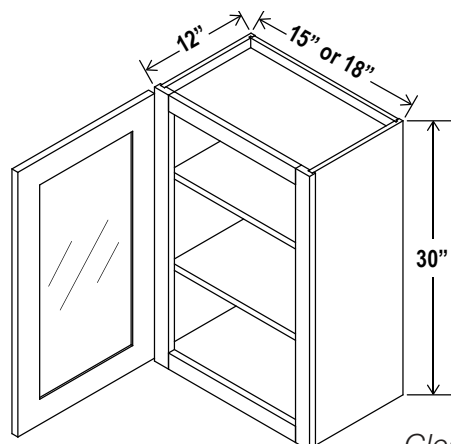


Two adjustable shelves

Wall Cabinet Single Glass Door

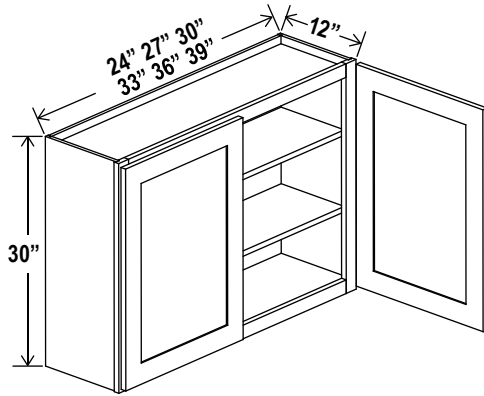
30" H

Item Code		W	H	D
W1530GD	Cabinet	15	30	12
	Door	14 1/2	29	3/4
W1830GD	Cabinet	18	30	12
	Door	17 1/2	29	3/4



*Clear glass included
Color matched interior
Two adjustable shelves*

30" H

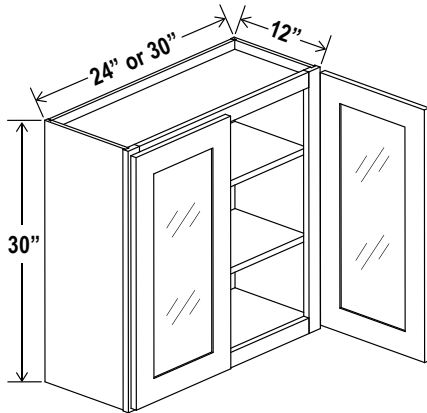


Two adjustable shelves

Wall Cabinet Double Doors

Item Code		W	H	D
W2430	Cabinet	24	30	12
	Door	11 3/4	29	3/4
W2730	Cabinet	27	30	12
	Door	13 1/4	29	3/4
W3030	Cabinet	30	30	12
	Door	14 3/4	29	3/4
W3330	Cabinet	33	30	12
	Door	16 1/4	29	3/4
W3630	Cabinet	36	30	12
	Door	17 3/4	29	3/4
W3930	Cabinet	39	30	12
	Door	19 1/4	29	3/4

30" H

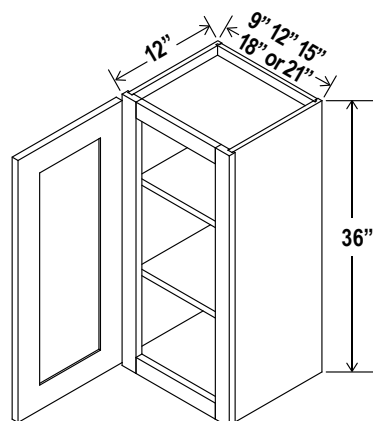


Clear glass included
Color Matched Interior
Two adjustable shelves

Wall Cabinet Double Glass Doors

Item Code		W	H	D
W2430GD	Cabinet	24	30	12
	Door	11 3/4	29	3/4
W3030GD	Cabinet	30	30	12
	Door	14 3/4	29	3/4

36" H



Two adjustable shelves

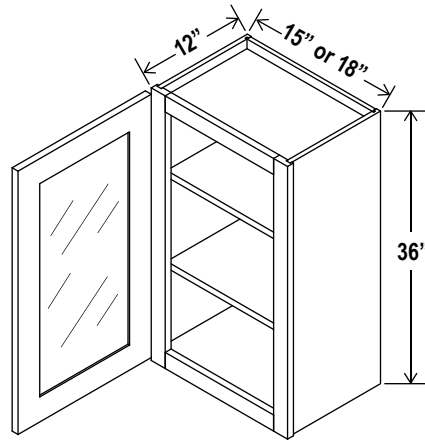
Wall Cabinet Single Door

Item Code		W	H	D
W0936	Cabinet	9	36	12
	Door	8 1/2	35	3/4
W1236	Cabinet	12	36	12
	Door	11 1/2	35	3/4
W1536	Cabinet	15	36	12
	Door	14 1/2	35	3/4
W1836	Cabinet	18	36	12
	Door	17 1/2	35	3/4
W2136	Cabinet	21	36	12
	Door	20 1/2	35	3/4

Wall Cabinet Single Glass Door

36" H

Item Code		W	H	D
W1536GD	Cabinet	15	36	12
	Door	14 1/2	35	3/4
W1836GD	Cabinet	18	36	12
	Door	17 1/2	35	3/4

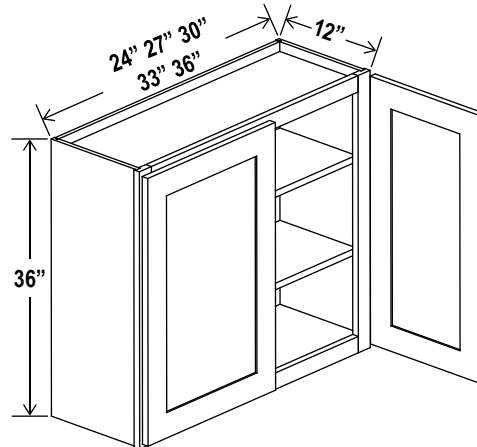


*Clear glass included
Color Matched Interior
Two adjustable shelves*

Wall Cabinet Double Doors

36" H

Item Code		W	H	D
W2436	Cabinet	24	36	12
	Door	11 3/4	35	3/4
W2736	Cabinet	27	36	12
	Door	13 1/4	35	3/4
W3036	Cabinet	30	36	12
	Door	14 3/4	35	3/4
W3336	Cabinet	33	36	12
	Door	16 1/4	35	3/4
W3636	Cabinet	36	36	12
	Door	17 3/4	35	3/4

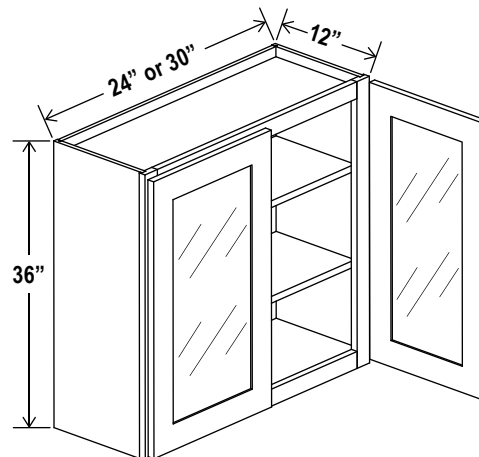


Two adjustable shelves

Wall Cabinet Double Glass Doors

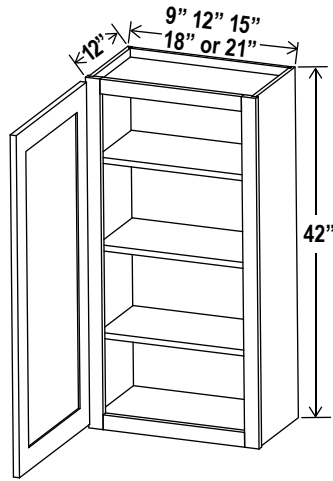
36" H

Item Code		W	H	D
W2436GD	Cabinet	24	36	12
	Door	11 3/4	35	3/4
W3036GD	Cabinet	30	36	12
	Door	14 3/4	35	3/4



*Clear glass included
Color Matched Interior
Two adjustable shelves*

42”H

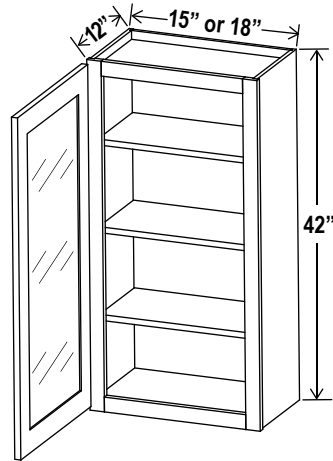


Three adjustable shelves

Wall Cabinet Single Door

Item Code		W	H	D
W0942	Cabinet	9	42	12
	Door	8 1/2	41	3/4
W1242	Cabinet	12	42	12
	Door	11 1/2	41	3/4
W1542	Cabinet	15	42	12
	Door	14 1/2	41	3/4
W1842	Cabinet	18	42	12
	Door	17 1/2	41	3/4
W2142	Cabinet	21	42	12
	Door	20 1/2	41	3/4

42”H

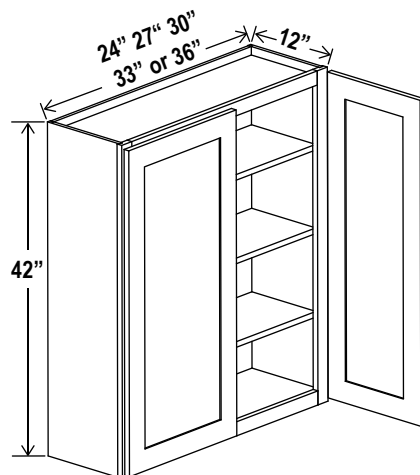


Clear glass included
Color matched in terior
Three adjustable shelves

Wall Cabinet Single Glass Door

Item Code		W	H	D
W1542GD	Cabinet	15	42	12
	Door	14 1/2	41	3/4
W1842GD	Cabinet	18	42	12
	Door	17 1/2	41	3/4

42”H



Three adjustable shelves

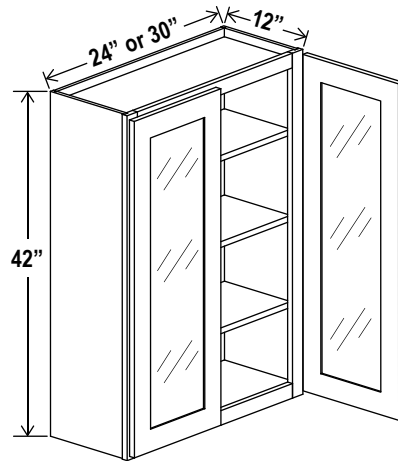
Wall Cabinet Double Doors

Item Code		W	H	D
W2442	Cabinet	24	42	12
	Door	11 3/4	41	3/4
W2742	Cabinet	27	42	12
	Door	13 1/4	41	3/4
W3042	Cabinet	30	42	12
	Door	14 3/4	41	3/4
W3342	Cabinet	33	42	12
	Door	16 1/4	41	3/4
W3642	Cabinet	36	42	12
	Door	17 3/4	41	3/4

Wall Cabinet Double Glass Doors

42" H

Item Code		W	H	D
W2442GD	Cabinet	24	42	24
	Door	11 3/4	41	3/4
W3042GD	Cabinet	30	42	12
	Door	14 3/4	41	3/4

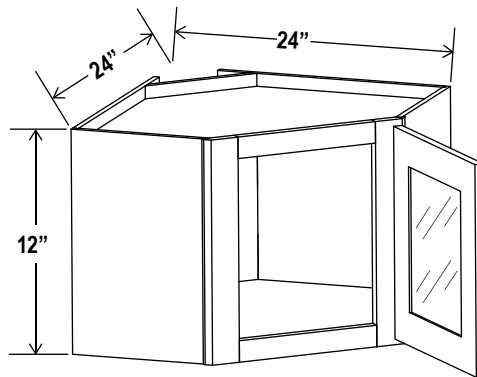


Clear glass included
Color matched interior
Three adjustable shelves

Diagonal Corner Wall Glass Door

24" W

Item Code		W	H	D
DCW2412GD	Cabinet	24	12	12
	Door	15 1/4	11	3/4

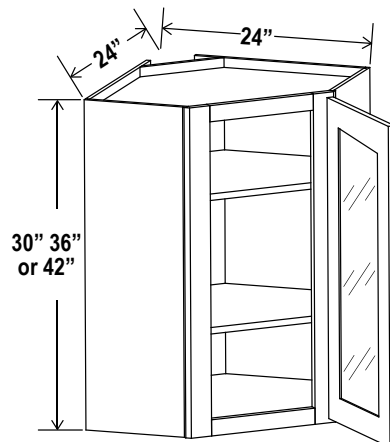


Clear glass included
Color matched interior
No shelf

Diagonal Corner Wall Glass Door

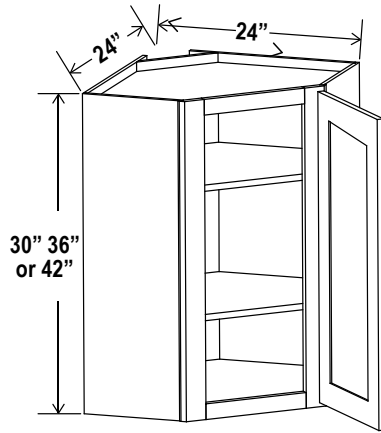
24" W

Item Code		W	H	D
DCW2430GD	Cabinet	24	30	12
	Door	15 1/4	29	3/4
DCW2436GD	Cabinet	24	36	12
	Door	15 1/4	35	3/4
DCW2442GD	Cabinet	24	42	12
	Door	15 1/4	41	3/4



Color matched interior
Two adjustable shelves (30"-36")
Three adjustable shelves (42")

24"W

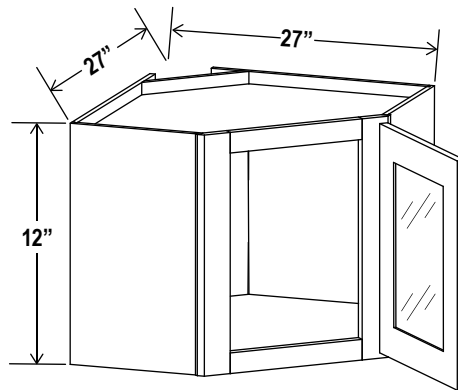


Two adjustable shelves (30"-36")
Three adjustable shelves (42")

Diagonal Corner Wall Single Door

Item Code		W	H	D
DCW2430	Cabinet	24	30	12
	Door	15 1/4	29	3/4
DCW2436	Cabinet	24	36	12
	Door	15 1/4	35	3/4
DCW2442	Cabinet	24	42	12
	Door	15 1/4	41	3/4

27"W

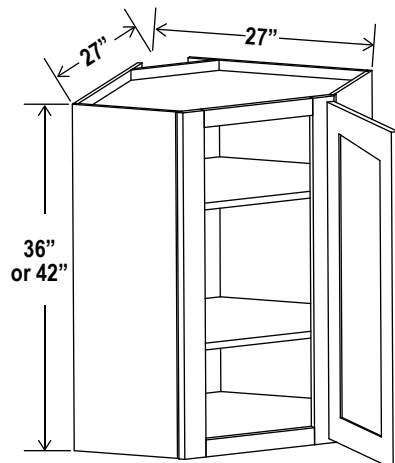


Clear glass included
Color matched interior
No shelf

Diagonal Corner Wall Single Glass Door

Item Code		W	H	D
DCW2712GD	Cabinet	27	12	15
	Door	15 1/4	11	3/4

27"W



Two adjustable shelves (36")
Three adjustable shelves (42")

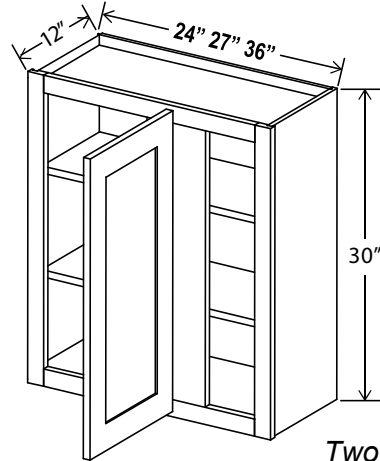
Diagonal Corner Wall Cabinet

Item Code		W	H	D
DCW2736	Cabinet	27	36	15
	Door	14 3/4	35	3/4
DCW2742	Cabinet	27	42	15
	Door	15 1/4	41	3/4

Wall Blind Corner Cabinet

30''H

Item Code		W	H	D
WBC2430	Cabinet	24	30	12
	Door	9 9/16	29	3/4
WBC2730	Cabinet	27	30	12
	Door	12 9/16	29	3/4
WBC3630	Cabinet	36	30	12
	Door	21 9/16	35	3/4

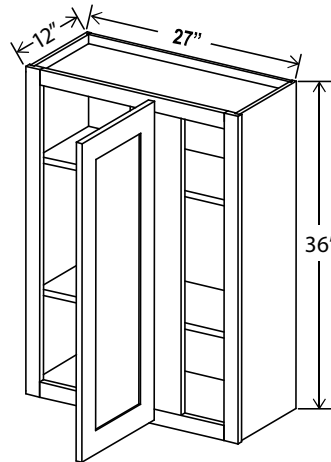


*Two adjustable shelves
Can be pulled for exact fit*

Wall Blind Corner Cabinet

36''H

Item Code		W	H	D
WBC2736	Cabinet	27	36	12
	Door	12 9/16	35	3/4

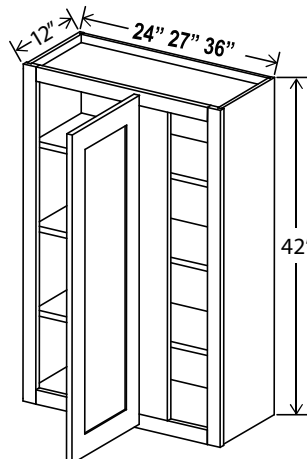


*Two adjustable shelves
Can be pulled for exact fit*

Wall Blind Corner Cabinet

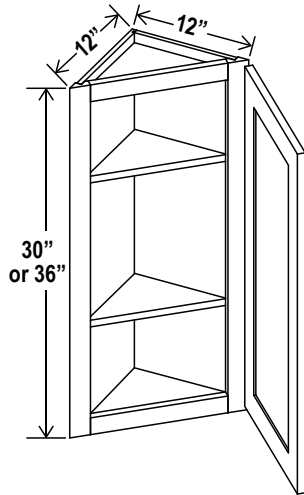
42''H

Item Code		W	H	D
WBC2442	Cabinet	24	42	12
	Door	9 9/16	41	3/4
WBC2742	Cabinet	27	42	12
	Door	12 9/16	41	3/4
WBC3642	Cabinet	36	42	12
	Door	21 9/16	41	3/4



*Three adjustable shelves
Can be pulled for exact fit*

12"W

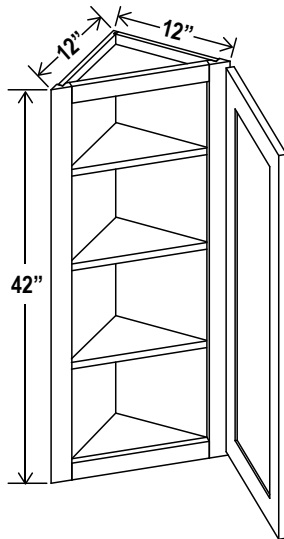


Two adjustable shelves

Angle Wall Cabinet

Item Code		W	H	D
AW1230	Cabinet	12	30	12
	Door	15 3/5	29	3/4
AW1236	Cabinet	12	36	12
	Door	15 3/5	35	3/4

12"W

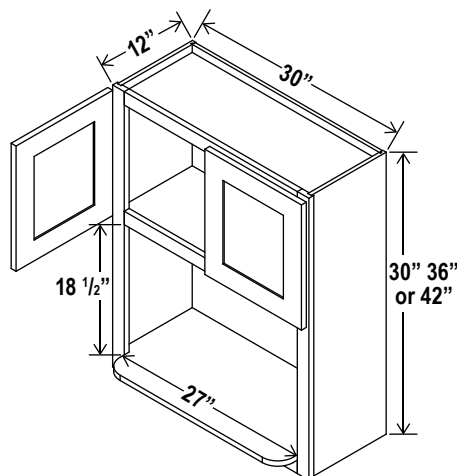


Three adjustable shelves

Angle Wall Cabinet

Item Code		W	H	D
AW1242	Cabinet	12	42	12
	Door	15 3/5	41	3/4

30"W



Microwave Wall Cabinet

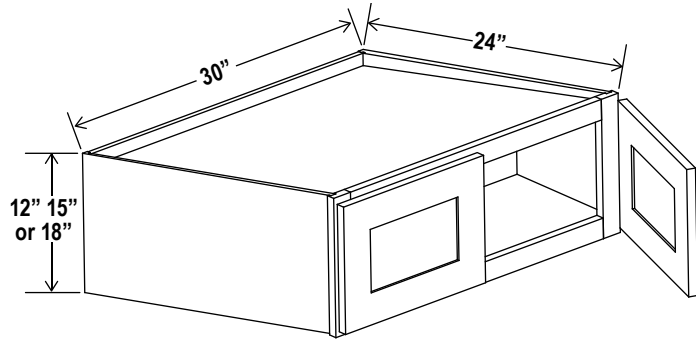
Item Code		W	H	D
M03030	Cabinet	30	30	12
	Door	14 3/4	9 1/4	3/4
M03036	Cabinet	30	36	12
	Door	14 3/4	15 1/4	3/4
M03042	Cabinet	30	42	12
	Door	14 3/4	21 1/4	3/4

Opening Dimensions: 27 W x 18 1/2 H

Refrigerator Wall Cabinet Double Doors

30"W

Item Code		W	H	D
W301224	Cabinet	30	12	24
	Door	14 3/4	11	3/4
W301524	Cabinet	30	15	24
	Door	14 3/4	14	3/4
W301824	Cabinet	30	18	24
	Door	14 3/4	17	3/4

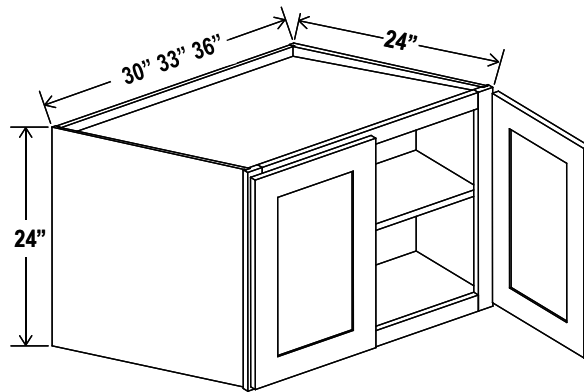


No Shelf

Refrigerator Wall Cabinet Double Doors

24"H

Item Code		W	H	D
W302424	Cabinet	30	24	24
	Door	14 3/4	23	3/4
W332424	Cabinet	33	24	24
	Door	16 1/4	23	3/4
W362424	Cabinet	36	24	24
	Door	17 3/4	23	3/4

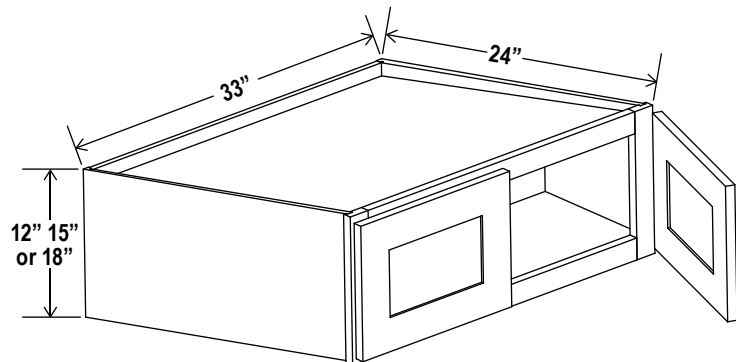


One adjustable shelf

Refrigerator Wall Cabinet Double Doors

33"W

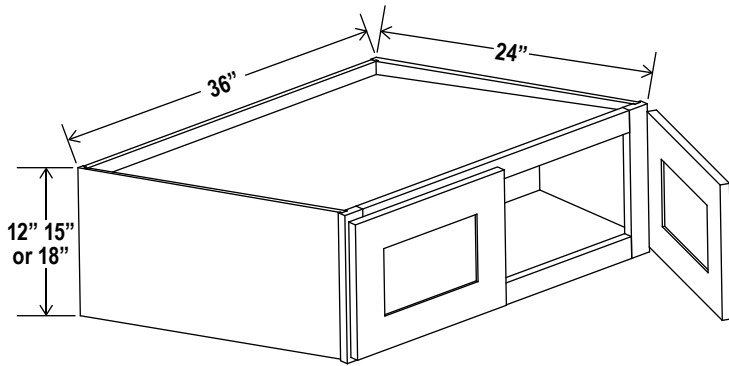
Item Code		W	H	D
W331224	Cabinet	33	12	24
	Door	16 1/4	11	3/4
W331524	Cabinet	33	15	24
	Door	16 1/4	14	3/4
W331824	Cabinet	33	18	24
	Door	16 1/4	17	3/4



No Shelf

36"W

Refrigerator Wall Cabinet Double Doors



Item Code		W	H	D
W361224	Cabinet	36	12	24
	Door	17 3/4	11	3/4
W361524	Cabinet	36	15	24
	Door	17 3/4	14	3/4
W361824	Cabinet	36	18	24
	Door	17 3/4	17	3/4

No Shelf

Wall Easy Reach Corner Cabinet

24"W

Item Code		W	H	D
WER2430	Cabinet	24	30	12
	Door	10 5/8	29	3/4
WER2436	Cabinet	24	36	12
	Door	10 5/8	35	3/4
WER2442	Cabinet	24	42	12
	Door	10 5/8	41	3/4

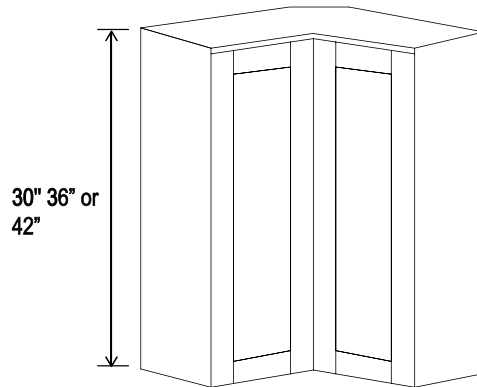
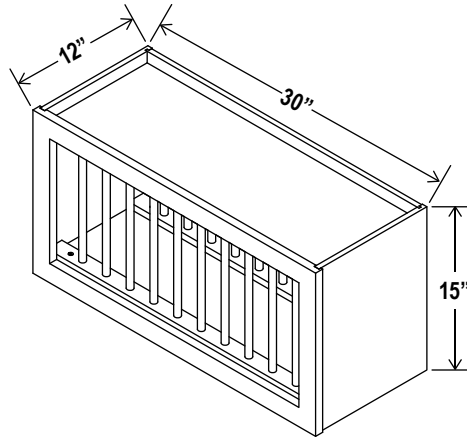


Plate Rack w 10 Plate Slots

15"H

Item Code		W	H	D
PR3015	Cabinet	30	15	12

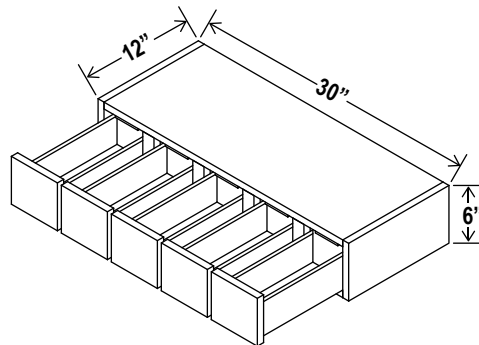


11 plate slots

Wall Spice Drawer

6"H

Item Code		W	H	D
WSD630	Cabinet	30	6	12

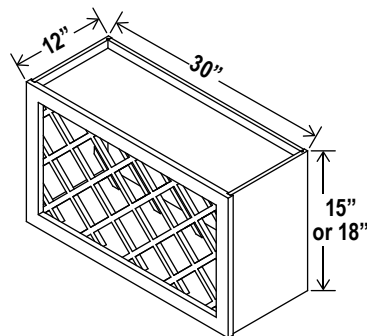


5 drawers

Wine Rack

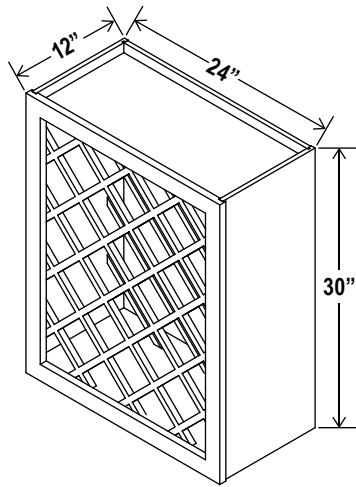
30"W

Item Code		W	H	D
WRC3015	Cabinet	30	15	12
WRC3018	Cabinet	30	18	12



Can install vertically or horizontally

30”H

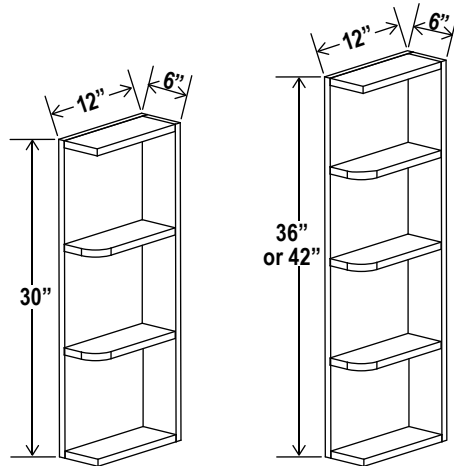


Wine Rack

Item Code		W	H	D
WRC2430	Cabinet	24	30	12

Can install vertically or horizontally

6”W



Open End Shelf

Item Code		W	H	D
OE630	Cabinet	6	30	12
OE636	Cabinet	6	36	12
OE642	Cabinet	6	42	12

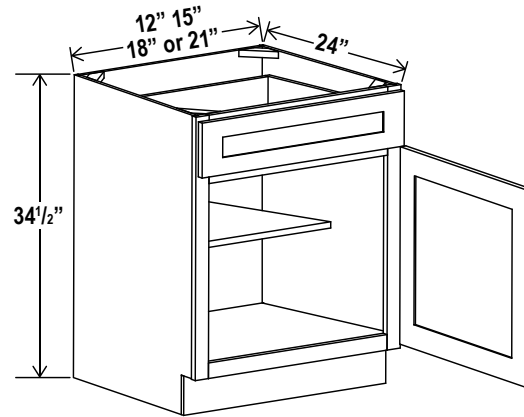
Matching color interior

Base Cabinets



Base Cabinet Single Door

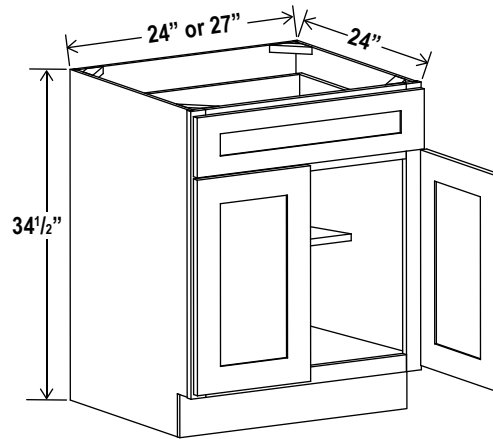
Item Code		W	H	D
B12	Cabinet	12	34 1/2	24
	Door	11 1/2	22 1/2	3/4
	Drawer	11 1/2	6 1/4	3/4
B15	Cabinet	15	34 1/2	24
	Door	14 1/2	22 1/2	3/4
	Drawer	14 1/2	6 1/4	3/4
B18	Cabinet	18	34 1/2	24
	Door	17 1/2	22 1/2	3/4
	Drawer	17 1/2	6 1/4	3/4
B21	Cabinet	21	34 1/2	24
	Door	20 1/2	22 1/2	3/4
	Drawer	20 1/2	6 1/4	3/4



One drawer

Base Cabinet Double Doors

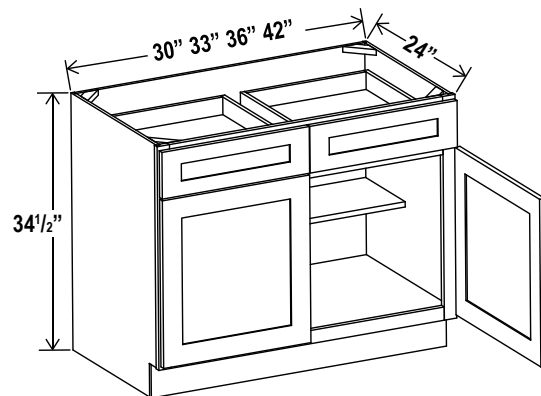
Item Code		W	H	D
B24	Cabinet	24	34 1/2	24
	Door	11 3/4	22 1/2	3/4
	Drawer	23 1/2	6 1/4	3/4
B27	Cabinet	27	34 1/2	24
	Door	13 1/4	22 1/2	3/4
	Drawer	26 1/2	6 1/4	3/4



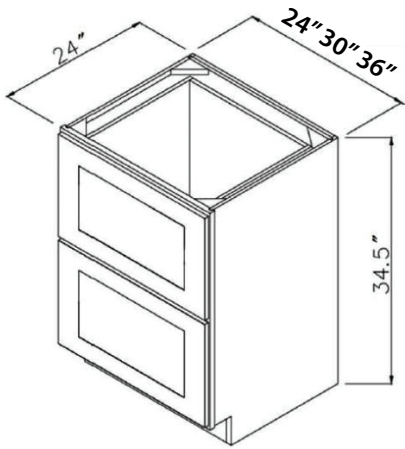
One drawer

Base Cabinet Double Doors

Item Code		W	H	D
B30	Cabinet	30	34 1/2	24
	Door	14 3/4	22 1/2	3/4
	Drawer	14 3/4	6 1/4	3/4
B33	Cabinet	33	34 1/2	24
	Door	16 1/4	22 1/2	3/4
	Drawer	16 1/4	6 1/4	3/4
B36	Cabinet	36	34 1/2	24
	Door	17 3/4	22 1/2	3/4
	Drawer	17 3/4	6 1/4	3/4
B42	Cabinet	42	34 1/2	24
	Door	20 3/4	22 1/2	3/4
	Drawer	20 3/4	6 1/4	3/4

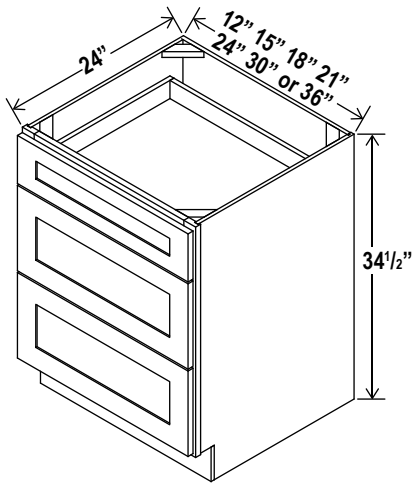


Two drawers



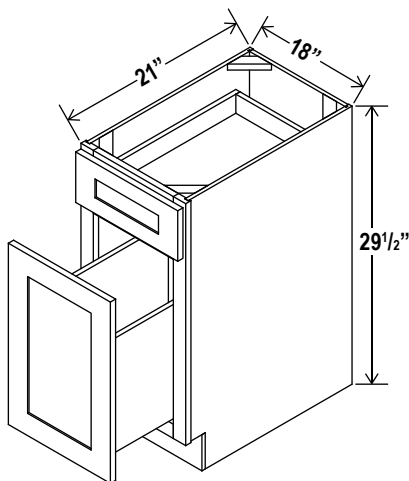
Two Drawer Base

Item Code		W	H	D	
NB Only	2DB24*	Cabinet	24	34 1/2	24
		Top Drawer	23 1/4	14 3/8	3/4
		Bottom Drawer	23 1/4	14 3/8	3/4
NB Only	2DB30*	Cabinet	30	34 1/2	24
		Top Drawer	29 1/2	14 3/8	3/4
		Bottom Drawer	29 1/2	14 3/8	3/4
NB Only	2DB36*	Cabinet	36	34 1/2	24
		Top Drawer	35 1/2	14 3/8	3/4
		Bottom Drawer	35 1/2	14 3/8	3/4



Three Drawer Base

Item Code		W	H	D	
	3DB12	Cabinet	12	34 1/2	24
		Top Drawer	11 1/2	6 1/4	3/4
		Bottom Drawer	11 1/2	11 1/8	3/4
	3DB15	Cabinet	15	34 1/2	24
		Top Drawer	14 1/2	6 1/4	3/4
		Bottom Drawer	14 1/2	11 1/8	3/4
	3DB18	Cabinet	18	34 1/2	24
		Top Drawer	17 1/2	6 1/4	3/4
		Bottom Drawer	17 1/2	11 1/8	3/4
	3DB21	Cabinet	21	34 1/2	24
		Top Drawer	20 1/2	6 1/4	3/4
		Bottom Drawer	20 1/2	11 1/8	3/4
	3DB24	Cabinet	24	34 1/2	24
		Top Drawer	23 1/2	6 1/4	3/4
		Bottom Drawer	23 1/2	11 1/8	3/4
NB Only	3DB27	Cabinet	27	34 1/2	24
		Top Drawer	26 1/2	6 1/4	3/4
		Bottom Drawer	26 1/2	11 1/8	3/4
	3DB30	Cabinet	30	34 1/2	24
		Top Drawer	29 1/2	6 1/4	3/4
		Bottom Drawer	29 1/2	11 1/8	3/4
NB Only	3DB33	Cabinet	33	34 1/2	24
		Top Drawer	32 1/2	6 1/4	3/4
		Bottom Drawer	32 1/2	11 1/8	3/4
	3DB36	Cabinet	36	34 1/2	24
		Top Drawer	35 1/2	6 1/4	3/4
		Bottom Drawer	35 1/2	11 1/8	3/4



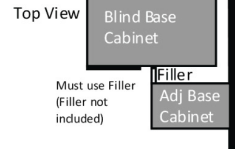
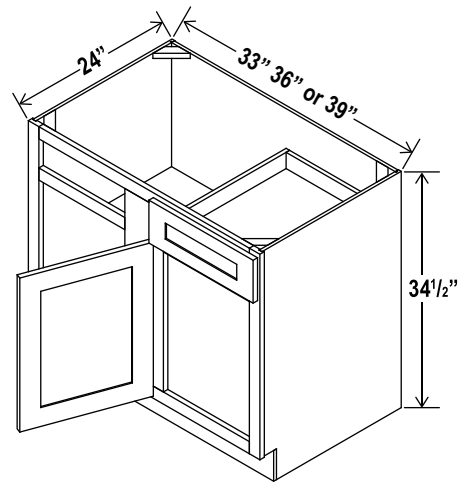
Document File Base Cabinet

Item Code		W	H	D
DFB18	Cabinet	18	29 1/2	21
	Top Drawer	17 1/2	6 1/4	3/4
	Bottom Drawer	17 1/2	17 1/2	3/4

*Hardware not included.

Blind Corner Base Cabinet

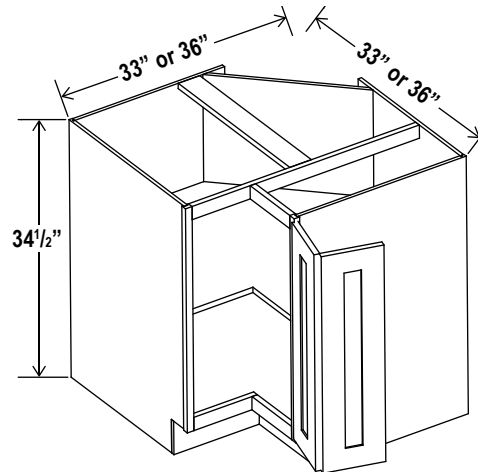
Item Code		W	H	D
BBC36	Cabinet	33	34 1/2	24
	Door	10	22 1/2	3/4
	Drawer	10	6 1/4	3/4
	Install range: 36" - 39"			
BBC39	Cabinet	36	34 1/2	24
	Door	12 3/4	22 1/2	3/4
	Drawer	12 3/4	6 1/4	3/4
	Install range: 39" - 42"			
BBC42	Cabinet	39	34 1/3	24
	Door	15 3/4	22 1/2	3/4
	Drawer	15 3/4	6 1/4	3/4
	Install range: 42" - 45"			



BBC36 36"-39"
 BBC39 39"-42"
 BBC42 42"-45"

Easy Reach Base Cabinet

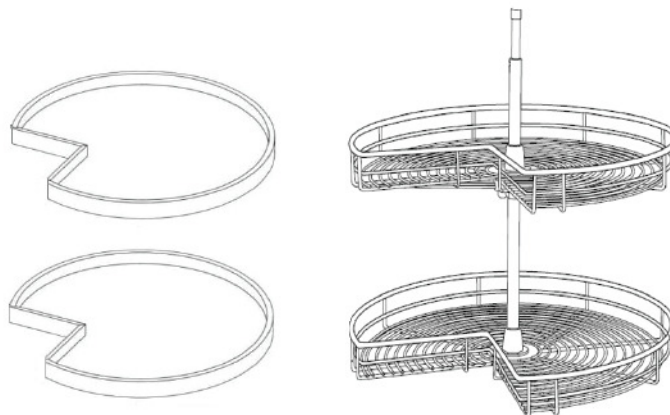
Item Code		W	H	D
ERB33	Cabinet	33	34 1/2	24
	Door	7 5/8	29	3/4
ERB36	Cabinet	36	34 1/2	24
	Door	10 5/8	29	3/4



One bi-fold door

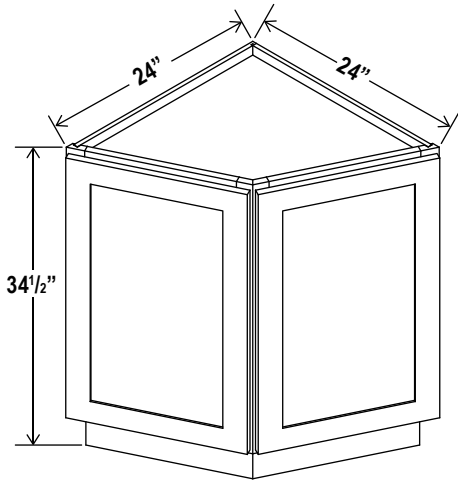
Wood Tray / Chrome Tray

Item Code
Wood Tray
Chrome Tray 33
Chrome Tray 36



Add to ERB for Lazy Susan
 ** NOTE: Wood tray does not have a pole included in the middle
 Wood Tray *** Can be used in frameless line. Fits both 33" and 36"
 Trays are shelf mounted

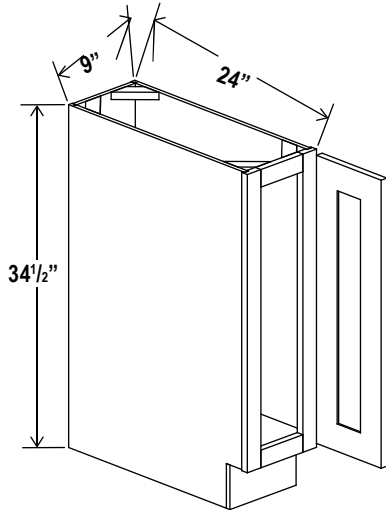
Base End Cabinet



Item Code		W	H	D
BEC24	Cabinet	24	34 1/2	24
	Door	17 1/2	29	3/4

Both doors operational

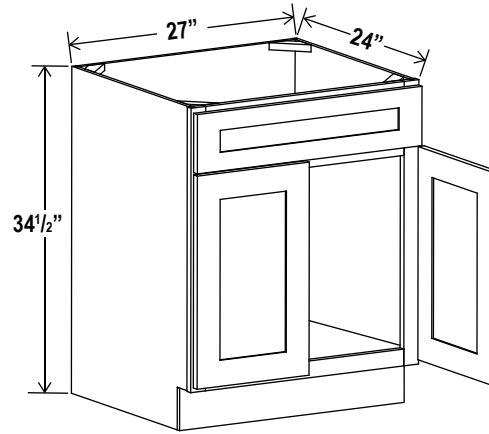
Base Tray



Item Code		W	H	D
BT09	Cabinet	9	34 1/2	24
	Door	8 1/2	29	3/4

Sink Base

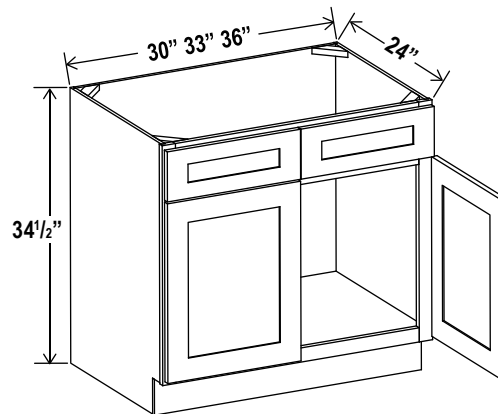
Item Code		W	H	D
SB27	Cabinet	27	34 1/2	24
	Door	13 1/4	22 1/2	3/4
	Drawer	26 1/2	6 1/4	3/4



One dummy drawer

Sink Base

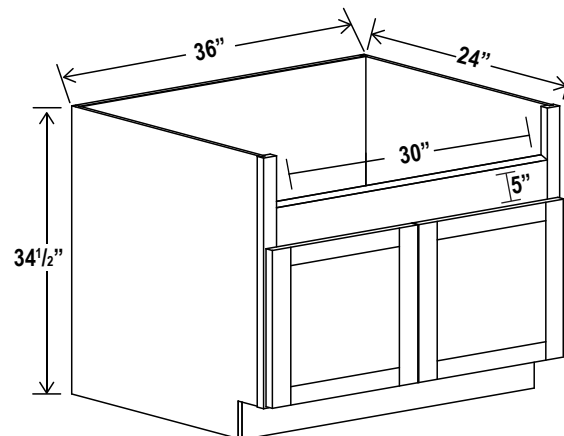
Item Code		W	H	D
SB30	Cabinet	30	34 1/2	24
	Door	14 3/4	22 1/2	3/4
	Drawer	14 3/4	6 1/4	3/4
SB33	Cabinet	33	34 1/2	24
	Door	16 1/4	22 1/2	3/4
	Drawer	16 1/4	6 1/4	3/4
SB36	Cabinet	36	34 1/2	24
	Door	17 3/4	22 1/2	3/4
	Drawer	17 3/4	6 1/4	3/4



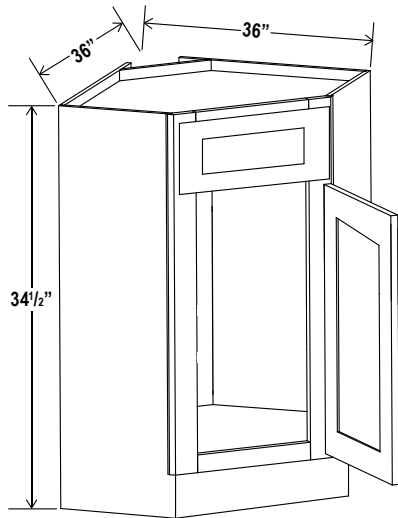
Two dummy drawers

Farmhouse Sink Base

Item Code		W	H	D
FSB36	Cabinet	36	34 1/2	24
	Door	17 3/4	16 1/2	3/4
	Sink Trimout: 30"W X 7 1/2"-9"H			



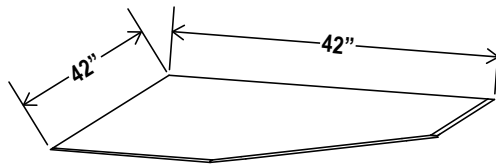
Corner Sink Base Cabinet



Item Code		W	H	D
CSB36	Cabinet	36	34 1/2	24
	Door	15 1/4	22 1/4	3/4
	Drawer	15 1/4	6 1/4	3/4

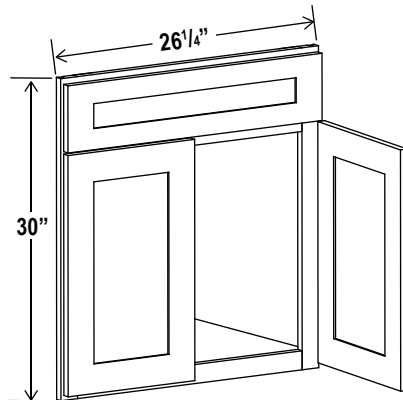
One dummy drawer

Corner Sink Base Floor



Item Code		W
SBF4242	Cabinet	42

Corner Sink Base Front

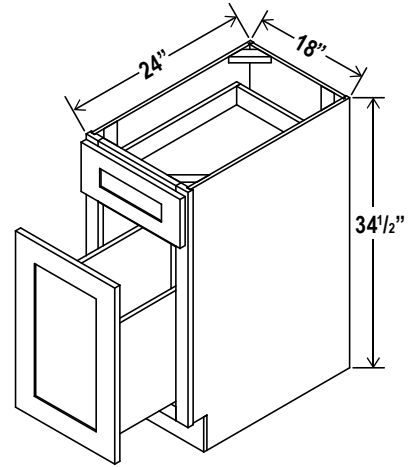


Item Code		W	H	D
DCSF42	Cabinet	26 1/4	30	3/4
	Door	11 3/4	22 1/2	3/4
	Drawer	23 1/2	6 1/4	3/4

For use with SBF4242

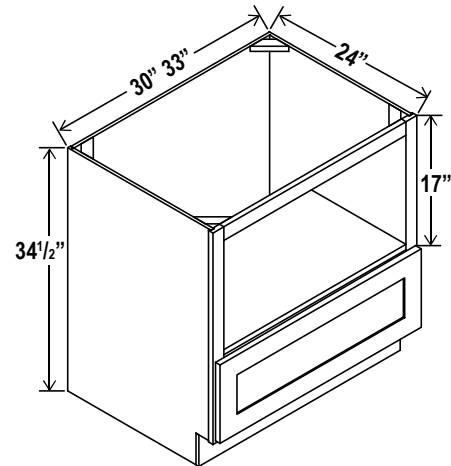
Base Waste Basket Cabinet

Item Code		W	H	D
BWB18	Cabinet	18	34 1/2	24
	Top Drawer	17 1/2	6 1/4	3/4
	Bottom Drawer	17 1/2	22 1/2	3/4



Microwave Base Cabinet

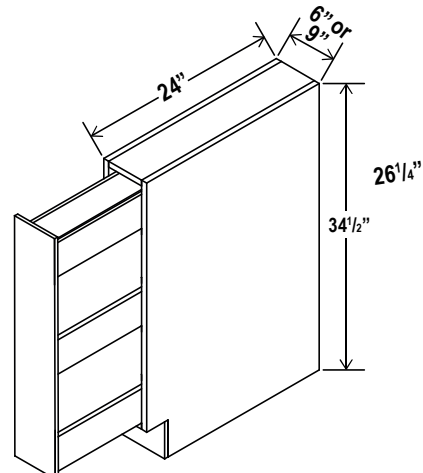
Item Code		W	H	D
MB30	Cabinet	30	34 1/2	24
	Drawer	29 1/2	10 1/2	3/4
Opening Dimensions: 27"W x 17"H				
MB33	Cabinet	33	34 1/2	24
	Drawer	32 1/2	10 1/2	3/4
Opening Dimensions: 30"W x 17"H				



Finished Interiors

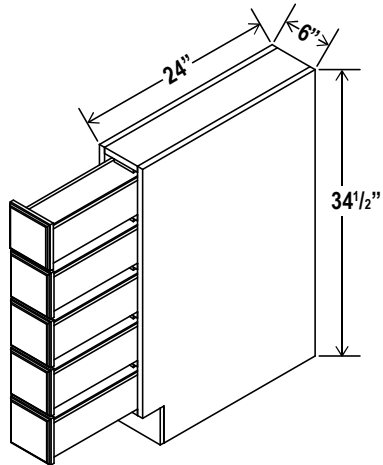
Spice Pull Base Cabinet

Item Code		W	H	D
SPB6	Cabinet	6	34 1/2	24
	Drawer	5 1/2	29	3/4
SPB9	Cabinet	9	34 1/2	24
	Drawer	8 1/2	29	3/4



Shelves are Fixed Assembled (not adjustable)

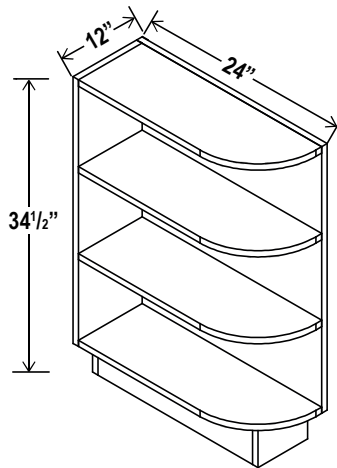
Base Spice Drawer



Item Code		W	H	D
BSDC6	Cabinet	6	34 1/2	24

Natural interior finish

Base End Shelf



Item Code		W	H	D
BES12	Cabinet	12	34 1/2	24

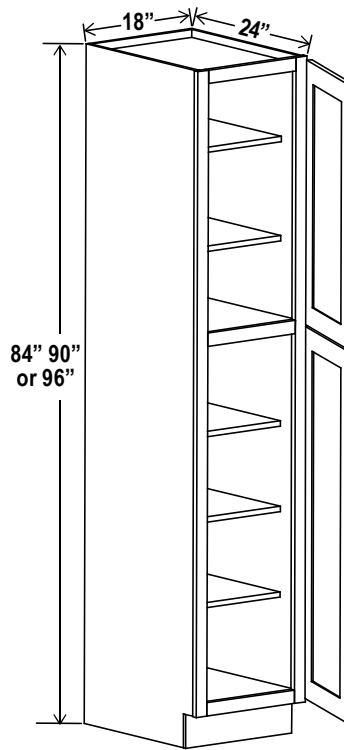
Tall Pantry Cabinets



Utility Pantry

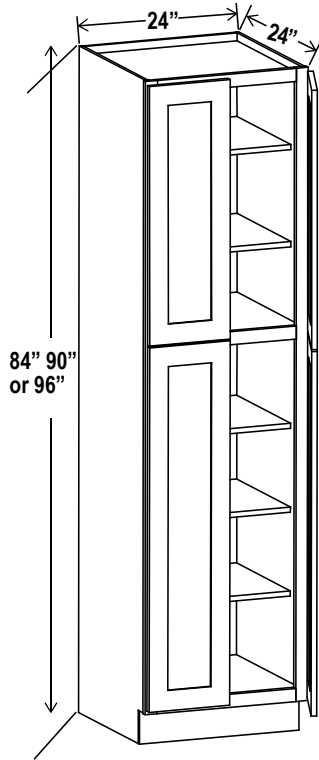
18"W

Item Code		W	H	D
U188424	Cabinet	18	84	24
	Top Door	17 1/2	29	3/4
	Bottom Door	17 1/2	49 1/4	3/4
U189024	Cabinet	18	90	24
	Top Door	17 1/2	35	3/4
	Bottom Door	17 1/2	49 1/4	3/4
U189624	Cabinet	18	96	24
	Top Door	17 1/2	41	3/4
	Bottom Door	17 1/2	49 1/4	3/4



*Two doors
Two adjustable top shelves
Three bottom shelves
Note: Roll out shelf kits available*

24"W



Utility Pantry

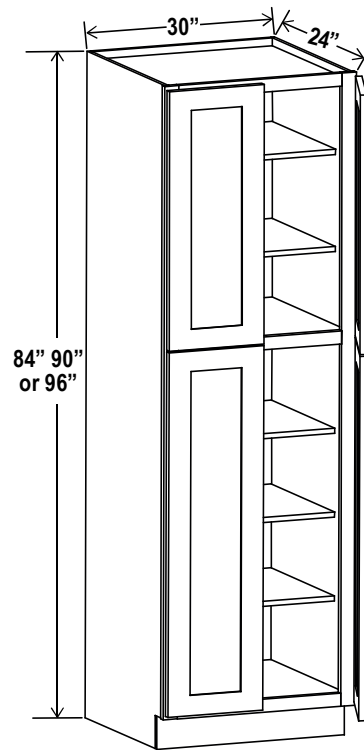
Item Code	W	H	D	
U248424	Cabinet	24	84	24
	Top Door	11 3/4	29	3/4
	Bottom Door	11 3/4	49 1/4	3/4
U249024	Cabinet	24	90	24
	Top Door	11 3/4	35	3/4
	Bottom Door	11 3/4	49 1/4	3/4
U249624	Cabinet	24	96	24
	Top Door	11 3/4	41	3/4
	Bottom Door	11 3/4	49 1/4	3/4

*Four doors
Two adjustable top shelves
Three bottom shelves
Note: Roll out shelf kits available*

Utility Pantry

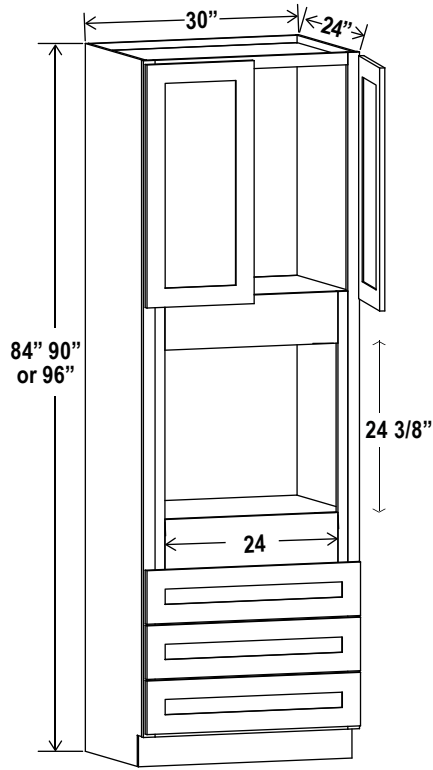
30"W

Item Code		W	H	D
U308424	Cabinet	30	84	24
	Top Door	14 3/4	29	3/4
	Bottom Door	14 3/4	49 1/4	3/4
U309024	Cabinet	30	90	24
	Top Door	14 3/4	35	3/4
	Bottom Door	14 3/4	49 1/4	3/4
U309624	Cabinet	30	96	24
	Top Door	14 3/4	41	3/4
	Bottom Door	14 3/4	49 1/4	3/4



*Four doors
Two adjustable top shelves
Three bottom shelves
Note: Roll out shelf kits attached*

30"W

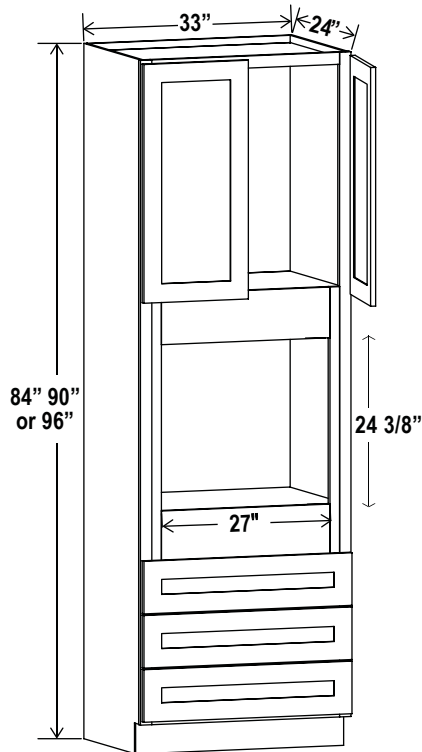


Oven Pantry

Item Code		W	H	D
0308424	Cabinet	30	84	24
	Door	14 3/4	17	3/4
	Drawer	29 1/2	7 3/4	3/4
	Opening Dimensions : 24 W x 24 3/8 H			
0309024	Cabinet	30	90	24
	Door	14 3/4	23	3/4
	Drawer	29 1/2	7 3/4	3/4
	Opening Dimensions : 24 W x 24 3/8 H			
0309624	Cabinet	30	96	24
	Door	14 3/4	29	3/4
	Drawer	29 1/2	7 3/4	3/4
	Opening Dimensions : 24 W x 24 3/8 H			

Two doors
 One large open shelf
 Three bottom drawers
 Note: Drawers may be removed
 to accommodate double ovens

33"W



Oven Pantry

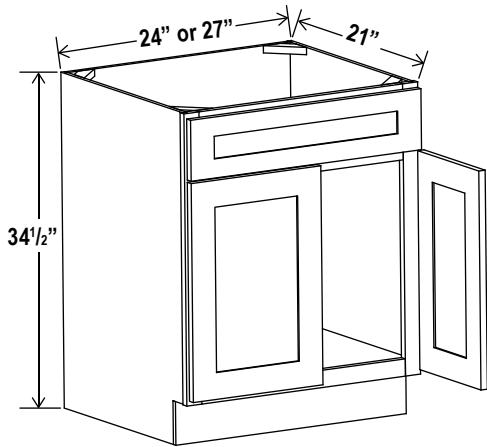
Item Code		W	H	D
0338424	Cabinet	33	84	24
	Door	16 1/4	17	3/4
	Drawer	32 1/2	7 3/4	3/4
	Opening Dimensions: 27 W x 24 3/8 H			
0339024	Cabinet	33	90	24
	Door	16 1/4	23	3/4
	Drawer	32 1/2	7 3/4	3/4
	Opening Dimensions: 27 W x 24 3/8 H			
0339624	Cabinet	33	96	24
	Door	16 1/4	29	3/4
	Drawer	32 1/2	7 3/4	3/4
	Opening Dimensions: 27 W x 24 3/8 H			

Two doors
 One large open shelf
 Three bottom drawers
 Note: Drawers may be removed
 to accommodate double ovens.

Vanity Cabinets



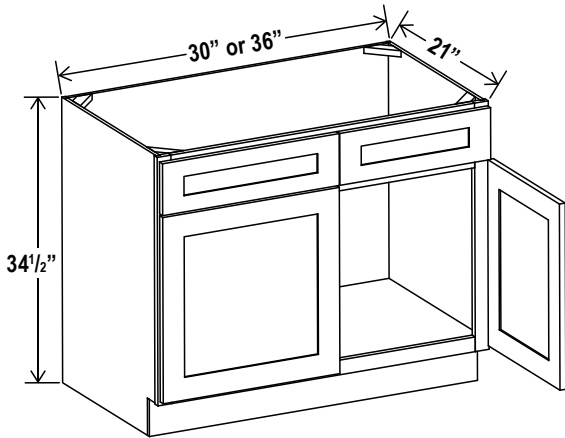
Vanity Sink Base



Item Code		W	H	D
VS24	Cabinet	24	34 1/2	21
	Door	11 3/4	22 1/2	3/4
	Drawer	23 1/4	6 1/4	3/4
VS27	Cabinet	27	34 1/2	21
	Door	13 1/4	22 1/3	3/4
	Drawer	26 1/2	6 1/4	3/4

One dummy drawer

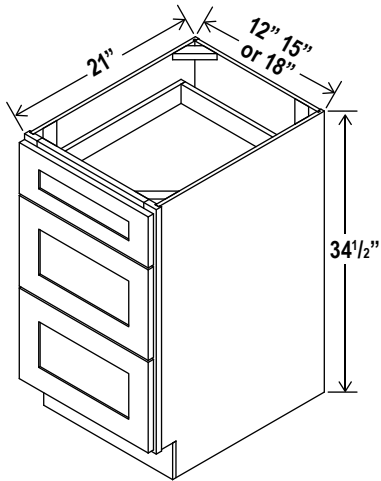
Vanity Sink Base



Item Code		W	H	D
VS30	Cabinet	30	34 1/2	21
	Door	14 3/4	22 1/2	3/4
	Drawer	14 3/4	6 1/4	3/4
VS36	Cabinet	36	34 1/2	21
	Door	17 3/4	22 1/2	3/4
	Drawer	17 3/4	6 1/4	3/4

Two dummy drawers

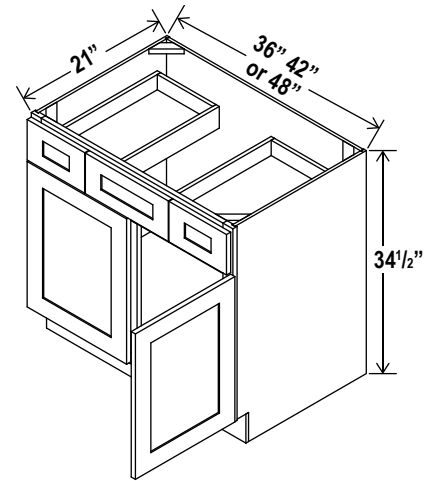
Vanity Drawer Base Cabinet



Item Code		W	H	D
3VDB12	Cabinet	12	34 1/2	21
	Top Drawer	11 1/2	6 1/4	3/4
	Bottom Drawer	11 1/2	11 1/8	3/4
3VDB15	Cabinet	15	34 1/2	21
	Top Drawer	14 1/2	6 1/4	3/4
	Bottom Drawer	14 1/2	11 1/8	3/4
3VDB18	Cabinet	18	34 1/2	21
	Top Drawer	17 1/2	6 1/4	3/4
	Bottom Drawer	17 1/2	11 1/8	3/4

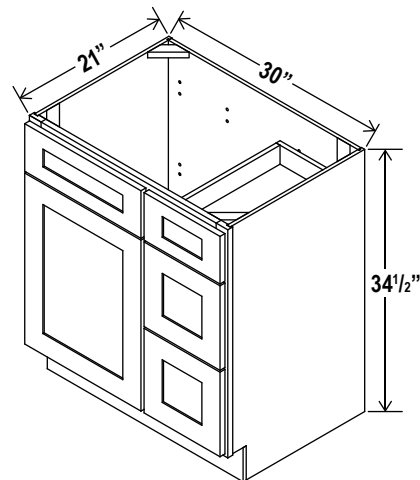
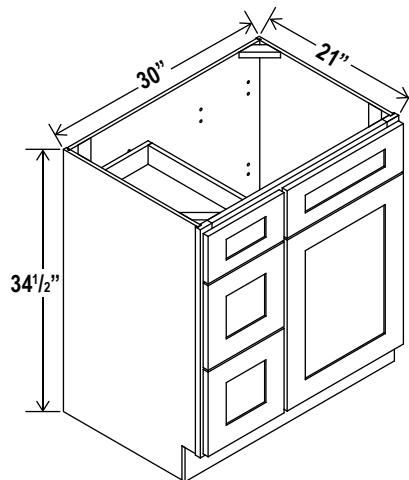
Vanity Combo

Item Code		W	H	D
VSD36	Cabinet	36	34 1/2	21
	Door	17 3/4	22 1/2	3/4
	Outside Drawer	10 1/4	6 1/4	3/4
	Center Drawer	14 1/2	6 1/4	3/4
VSD42	Cabinet	42	34 1/2	21
	Door	20 3/4	22 1/2	3/4
	Outside Drawer	11 1/2	6 1/4	3/4
	Center Drawer	18	6 1/4	3/4
VSD48	Cabinet	48	34 1/2	21
	Door	23 3/4	22 1/2	3/4
	Outside Drawer	14 1/2	6 1/4	3/4
	Center Drawer	18	6 1/4	3/4



Vanity Combo

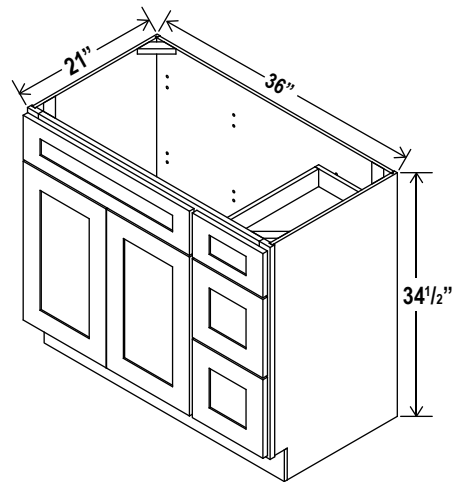
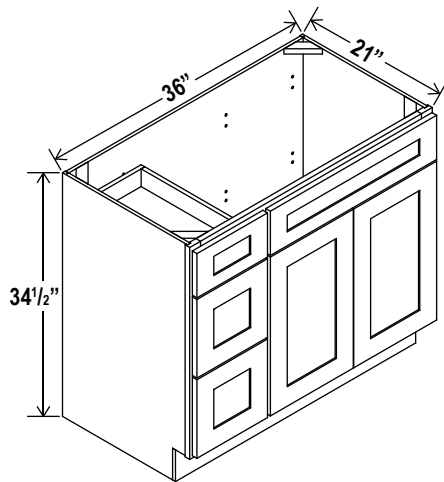
Item Code		W	H	D
V3021DL	Cabinet	30	34 1/2	21
	Door	17 1/2	22 1/2	3/4
	Long Drawer	17 1/2	6 1/4	3/4
	Top Drawer	11 1/2	6 1/4	3/4
	Bottom Drawer	11 1/2	11 1/8	3/4
V3021DR	Cabinet	30	34 1/2	21
	Door	17 1/2	22 1/2	3/4
	Long Drawer	17 1/2	6 1/4	3/4
	Top Drawer	11 1/2	6 1/4	3/4
	Bottom Drawer	11 1/2	11 1/8	3/4



V3021DL: 30" combo with drawers on left
V3021DR: 30" combo with drawers on right

Vanity Combo

Item Code		W	H	D
V3621DL	Cabinet	36	34 1/2	21
	Door	11 3/4	22 1/2	3/4
	Long Drawer	23 1/2	6 1/4	3/4
	Top Drawer	11 1/2	6 1/4	3/4
	Bottom Drawer	11 1/2	11 1/8	3/4
V3621DR	Cabinet	36	34 1/2	21
	Door	11 3/4	22 1/2	3/4
	Long Drawer	23 1/2	6 1/4	3/4
	Top Drawer	11 1/2	6 1/4	3/4
	Bottom Drawer	11 1/2	11 1/8	3/4



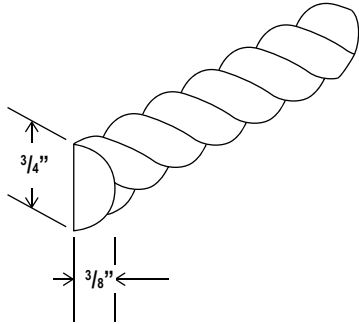
V3621DL: 36" combo with drawers on left
 V3621DR: 36" combo with drawers on right

Accessories & Moulding



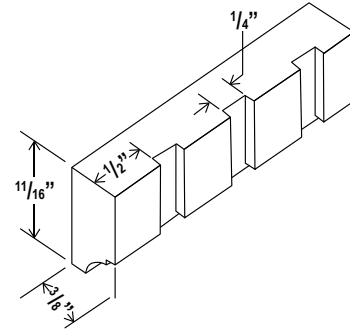
Rope Moulding

Item Code	L
ROPE	96



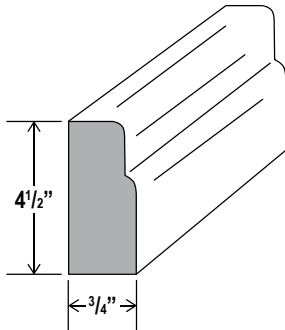
Dentil Moulding

Item Code	L
DMTIS	96



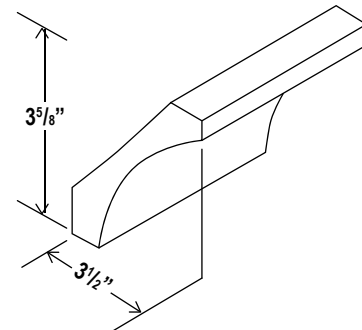
Furniture Base

Item Code	L
FBM	96



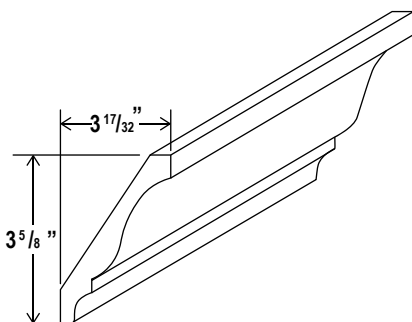
Cove Crown Moulding

Item Code	L
COV	96



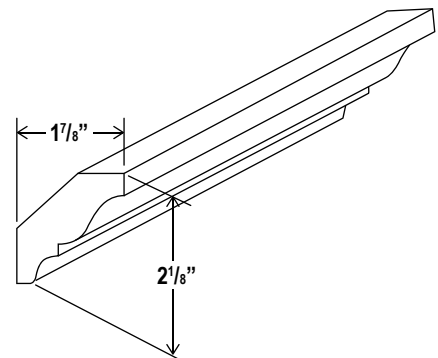
Decorative Moulding

Item Code	L
BCM8(DCM)	96



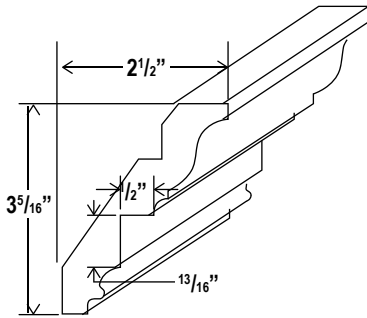
Crown Moulding

Item Code	L
CM8	96



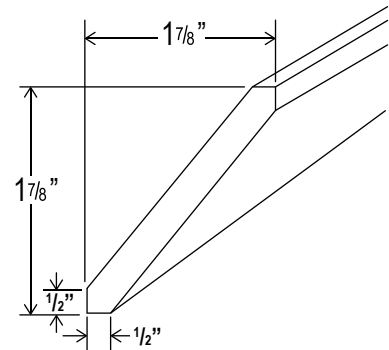
Inset Crown Moulding

Item Code	L
RCM4S(LCM)	96



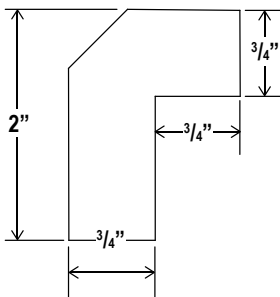
Angle Crown Moulding

Item Code	L
ACM8	96



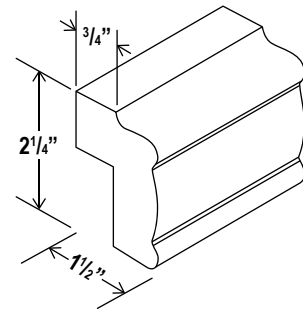
Angle Light Rail Moulding

Item Code	L
ALRM8	96



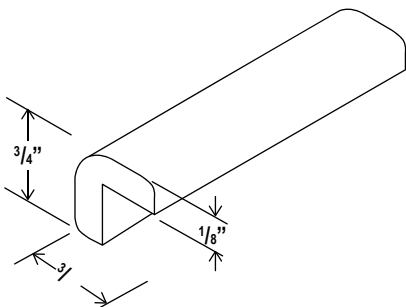
Light Rail Moulding

Item Code	L
LRM8	96



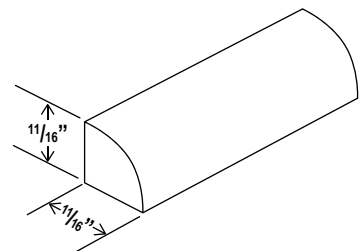
Outside Corner Moulding

Item Code	L
OCM8	96



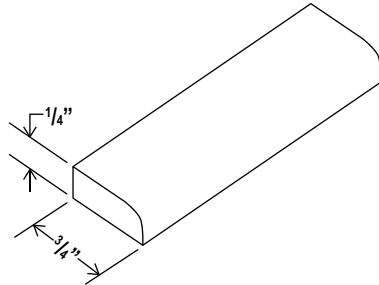
Shoe Moulding

Item Code	L
SHM	96



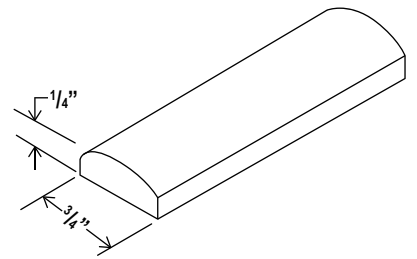
Scribe Moulding

Item Code	L
SM8(SCR)	96



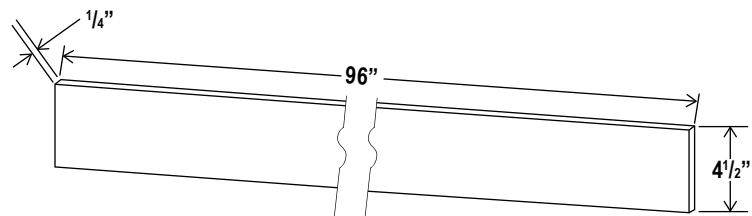
Batten Moulding

Item Code	L
BAM	96



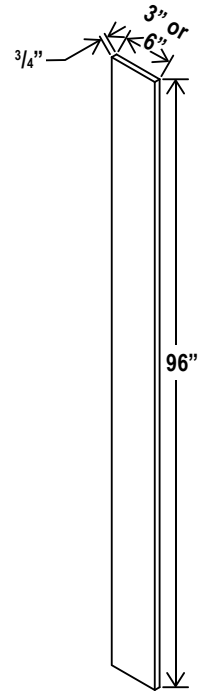
Toe Kick

Item Code	L
TKC	96



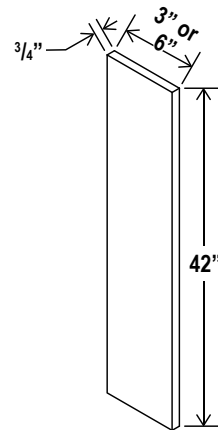
Tall Filler

Item Code	L
F396	96
F696	96



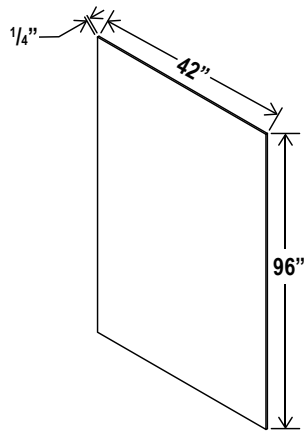
Filler

Item Code	L
F342	42
F642	42



Finish Plywood Panel

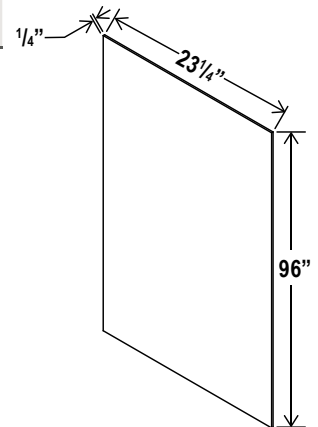
Item Code	L
FPV4296	96



Note: Edges are not finished

Tall Skin Veneer Panel

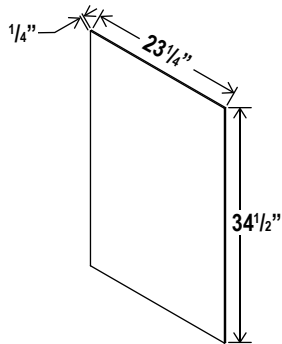
Item Code	L
USV2496	96



Note: Edges are not finished

Base Skin Veneer Panel

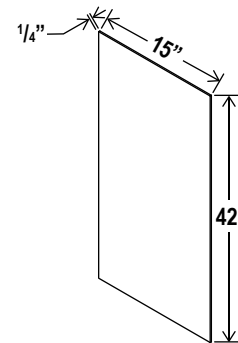
Item Code	L
BSV	34 1/2



Note: Edges are not finished

Wall Skin Panel

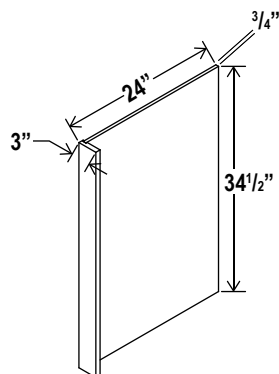
Item Code	L
WSV42	42



Note: Edges are not finished

Dishwasher Return Panel

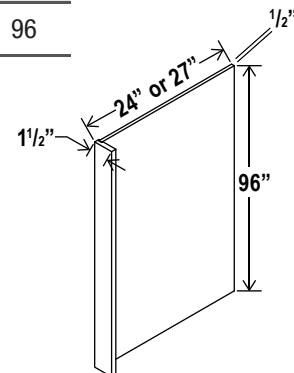
Item Code	L
DWR3	34 1/2



Note: Edges are not finished

Refrigerator End Panel

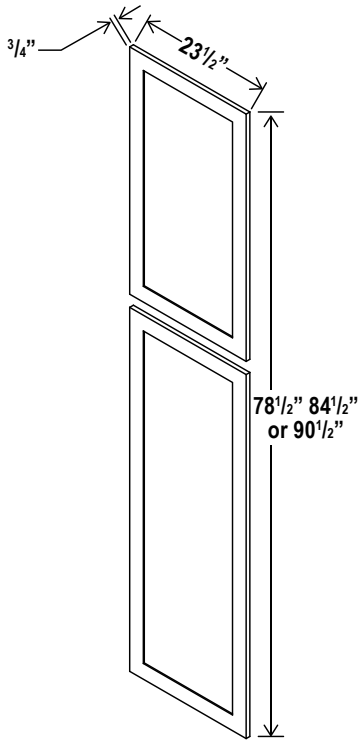
Item Code	L
REPV2496	96
REPV2796	96



Note: Edges are not finished

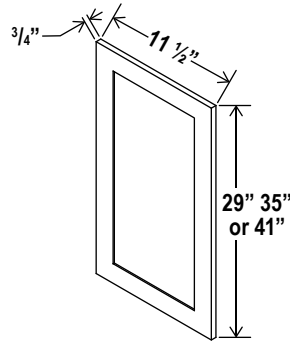
Tall Decorative Door Panel

Item Code	L
TDEP2484	78 1/2
TDEP2490	84 1/2
TDEP2496	90 1/2



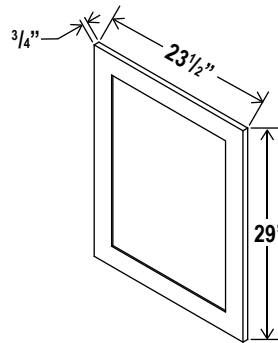
Wall Decorative Door Panel

Item Code	L
WDEP30	29
WDEP36	35
WDEP42	41



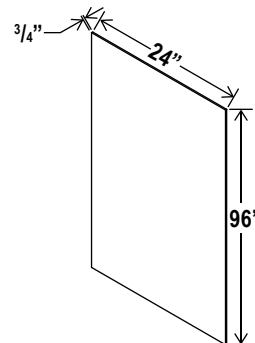
Base Decorative Door Panel

Item Code	L
BDEP	29



Shelf Board

Item Code	L
S2496	96

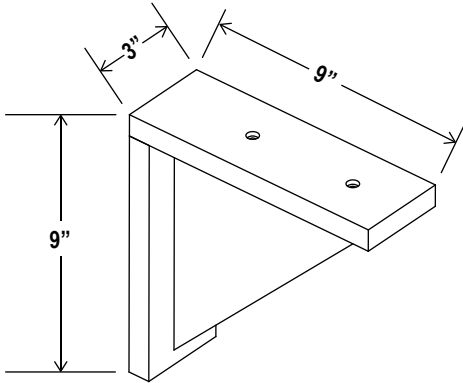


*Banded on both edges
Finished on all 4 sides
Color to match cabinet*

Corbel

Item Code

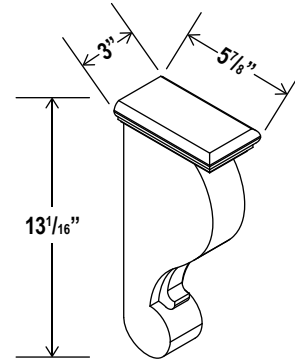
CB9



Corbel

Item Code

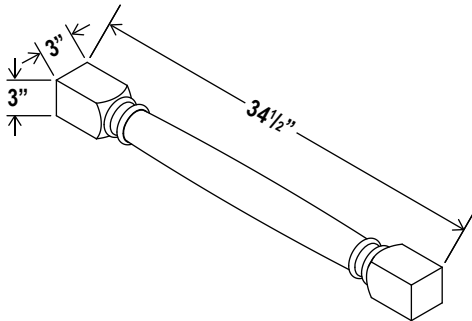
CBT



Classic Decorative Leg

Item Code

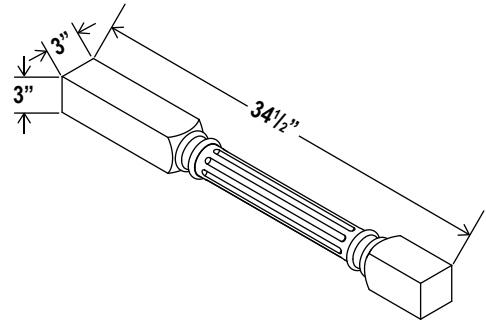
CLDL



Fluted Decorative Leg

Item Code

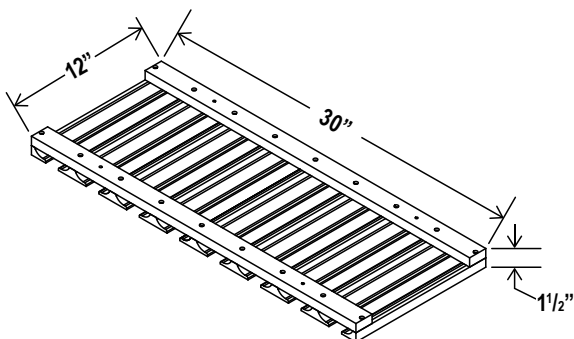
FLDL



Glass Holder

Item Code

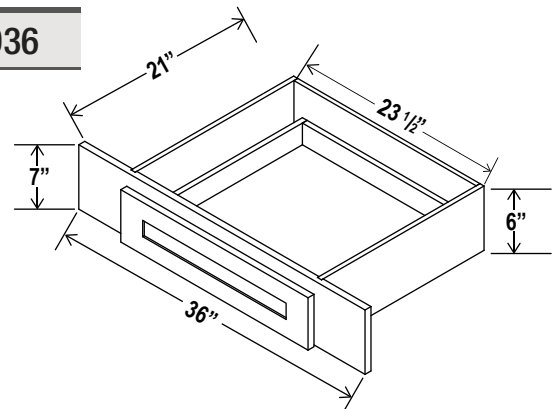
SGH30



Knee Drawer

Item Code

VKD36



Note: Max trim to 30"
Note: Interior Drawer Dimensions 3 1/2" x 18 1/4" x 20 1/4"

Arched Valance

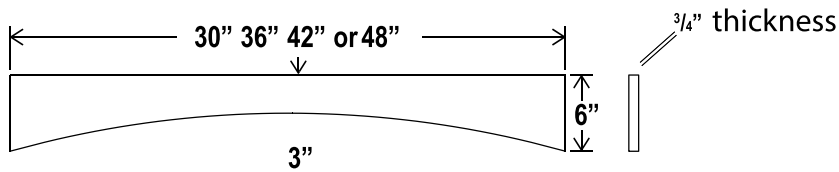
Item Code

VA30

VA36

VA42

VA48



Roll Out Tray

Item Code

RS18

RS21

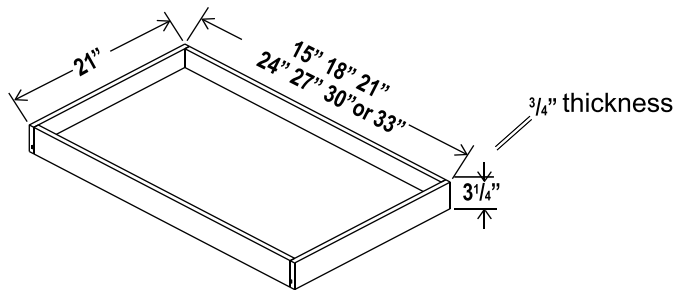
RS24

RS27

RS30

RS33

RS36

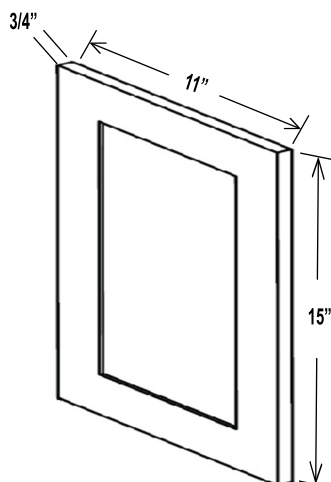


*Note: Natural finish. Side mount only.
Full-extension, not self-closing*

Sample Door

Item Code

SD





MILESTONE
C A B I N E T R Y

WARRANTY

Limited 12 Month Warranty

Milestone Cabinetry Inc. warrants to the original consumer purchases that Milestone Cabinetry cabinets, door hinges, and drawer glides will be free from defects in material and workmanship under normal use and service for twelve months (Proof of Purchase is required). This warranty is not transferable and only applicable to product used for residential purposes. Representatives of Milestone Cabinetry do not have the authority to change or enlarge this warranty.

This warranty does not cover normal wear and tear, damage or defects caused by accidents, misuse, abuse, lack of necessary maintenance or acts of God; nor does it cover alteration, modification, improper installation, improper handling / storage, environmental conditions, nor any labor expenses.

Milestone Cabinetry Inc., at our option, may elect to repair or replace with a functionally equivalent product any Milestone Cabinetry product covered by this warranty. Some replacement parts are subject to availability and may differ from original parts received. Return of defective product may be required for a replacement to be issued. Repair parts or replacement parts are at the expense of Milestone Cabinetry Inc., but customer shall bear all other expenses. These expenses may include, but are not limited to, cost of removal and re-installation of product, labor expenses, etc.

The variation in color and grain pattern in wood adds to its natural beauty and is not considered an imperfection. Environmental factors, including but not limited to artificial / natural light, moisture, cleaners, smoke, etc., may cause the darkening or mellowing of a cabinet over time. This is a natural process and can be expected. This warranty does not cover the natural aging or darkening / mellowing of wood color, the inherent growth characteristics of, or variation in wood.

Some of the cabinet lines feature a glazed finish which accentuates the door and drawer front profiles. This glaze is hand applied over a stain or paint and may, due to the nature of application, consist of random drips, runs, etc. As glazing is a hand applied process there will be variations in color and appearance from door to door and cabinet to cabinet. This is not considered a defect and is considered normal with hand applied finishes. It is the nature of wood to expand and contract to varying degrees depending on climate conditions. As a result, cabinet lines with painted surfaces may show fractures in the paint at joints. This is normal and is not considered a defect.

This warranty is valid only in the United States of America and is not transferable. All implied warranties are limited in duration to the shorter of the period provided by law or the period of this warranty. To the extent permitted by law, this warranty excludes special, incidental, or consequential damages. Some states do not allow the exclusion or limitations of incidental or consequential damages or limitations on how long an implied warranty lasts, so the above limitations or exclusions may not apply to you. This warranty gives you specific legal rights; you may have other rights which vary from state to state. To exercise this warranty, please contact the Milestone Cabinetry supplier from whom you purchased the product.

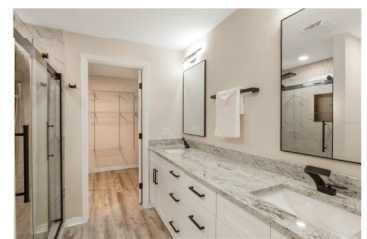


Milestone cabinetry is 120,000 sq ft that carries a full range of cabinet lines with inventory ready for assembly, delivery or pick-up.



MILESTONE

C A B I N E T R Y





2001 Directors Row
Orlando FL 32809
(407) 601-7090
www.milestonecabinetry.com



MILESTONE
C A B I N E T R Y