

## CHARLESTON

Traditional mitered door frames, beveled raised center panels, and hand glazed details



ANTIQUE WHITE



SADDLE

## TAHOE

Transitional mortise and tenon door frames with beveled raised center panels



WHITE



DOVE

## YORK

Transitional mitered door with a recessed center panel framed by simple beveling



ANTIQUE WHITE



CHOCOLATE



## SHAKER

Modern Mortise and Tenon Door with a Framed Flat Recessed Panel



WHITE



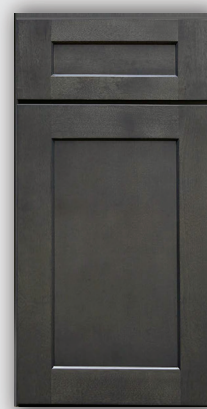
ANTIQUE WHITE



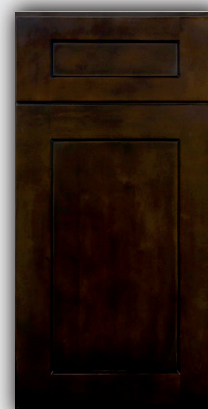
DOVE



GREY



CINDER



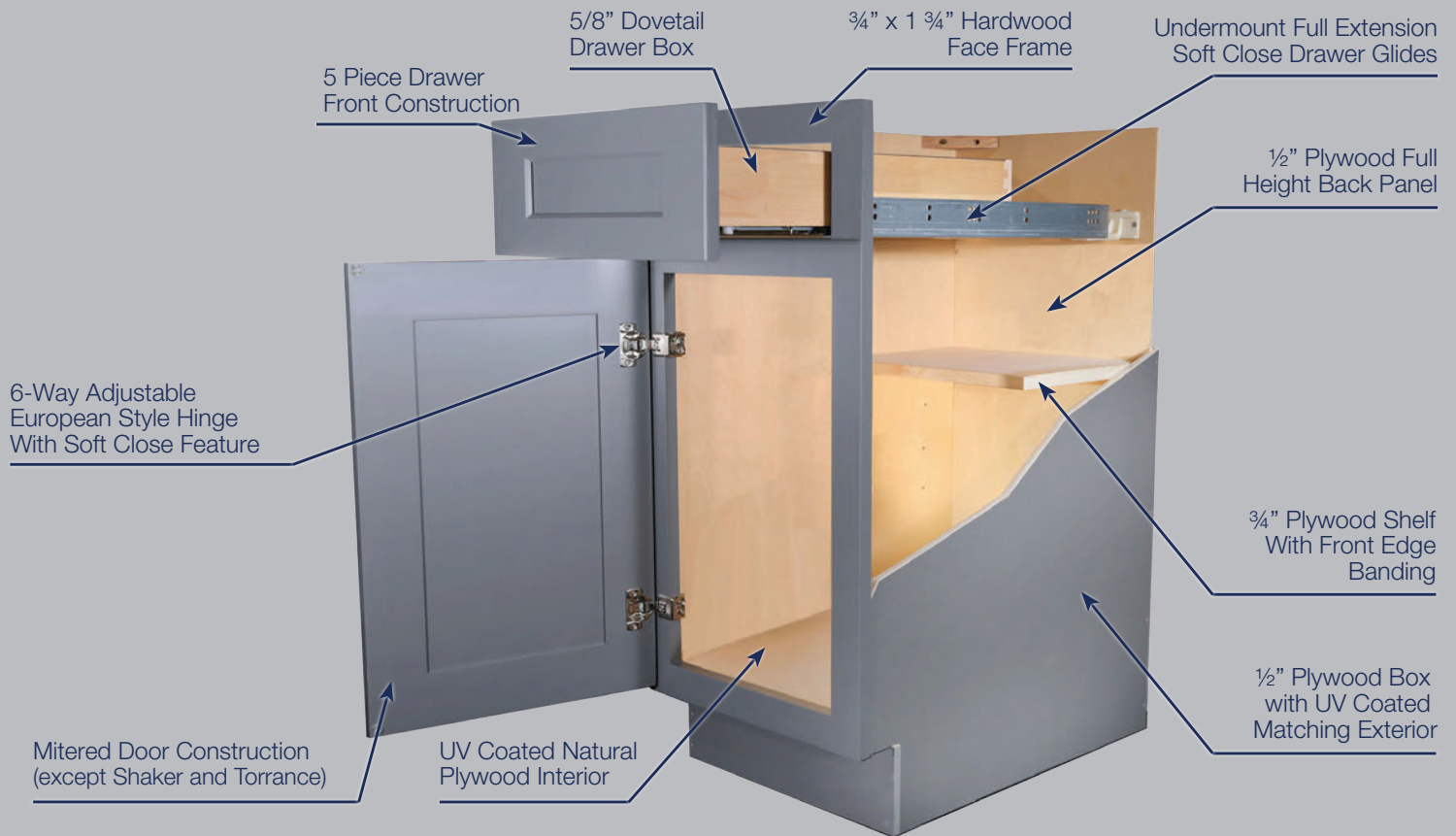
ESPRESSO

## HIGHLAND (PRIME) SERIES DOOR STYLES & SPECIFICATIONS

(\*Specifications subject to change without notice)

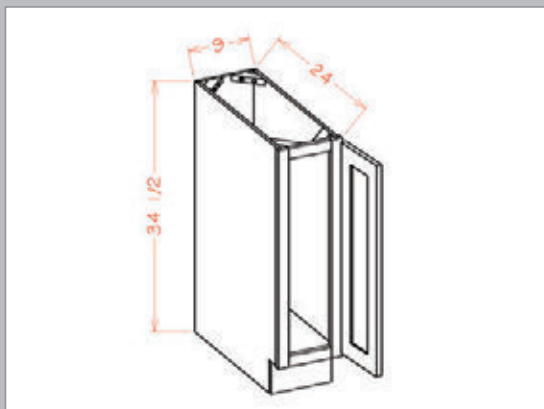
### CONSTRUCTION SPECIFICATIONS:

HIGHLAND STYLES & AVAILABILITY



## PRODUCT SPECIFICATIONS - Base Cabinets

### Tray Base



Model	Description	Width	Height	Depth
BT9	Cabinet Dimension	9	34 1/2	24
	Door Dimension	8 1/2	29	3/4

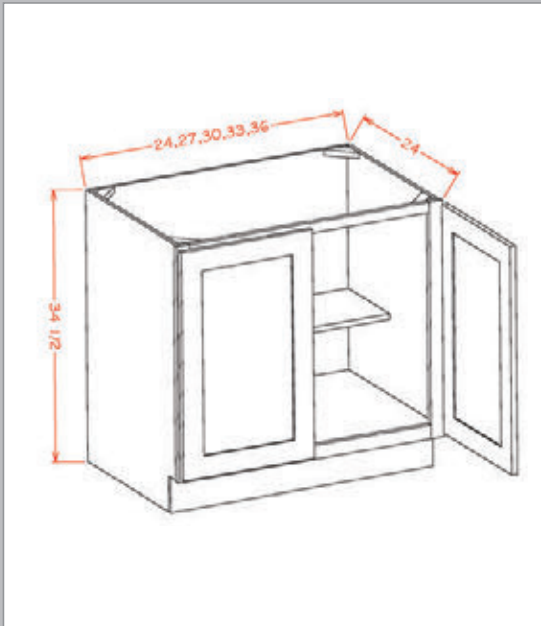
### Full Height Single Door Bases



Model	Description	Width	Height	Depth
B12FH	Cabinet Dimension	12	34 1/2	24
	Door Dimension	11 1/2	29	3/4
B15FH	Cabinet Dimension	15	34 1/2	24
	Door Dimension	14 1/2	29	3/4
B18FH	Cabinet Dimension	18	34 1/2	24
	Door Dimension	17 1/2	29	3/4
B21FH	Cabinet Dimension	21	34 1/2	24
	Door Dimension	20 1/2	29	3/4

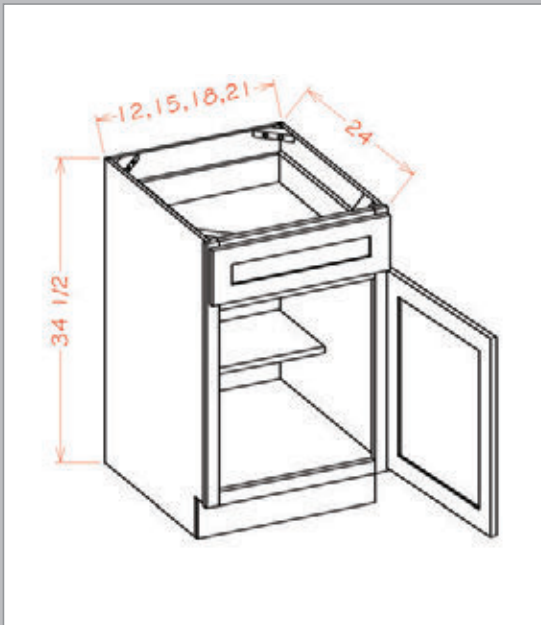
## PRODUCT SPECIFICATIONS - Base Cabinets

### Full Height Double Door Bases



Model	Description	Width	Height	Depth
B24FH	Cabinet Dimension	24	34 1/2	24
	Door Dimension	11 3/4	29	3/4
B27FH	Cabinet Dimension	27	34 1/2	24
	Door Dimension	13 1/4	29	3/4
B30FH	Cabinet Dimension	30	34 1/2	24
	Door Dimension	14 3/4	29	3/4
B33FH	Cabinet Dimension	33	34 1/2	24
	Door Dimension	16 1/4	29	3/4
B36FH	Cabinet Dimension	36	34 1/2	24
	Door Dimension	17 3/4	29	3/4

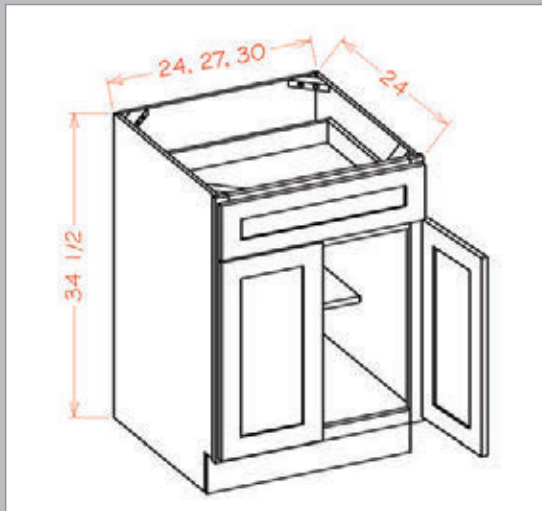
### Single Door Single Drawer Bases



Model	Description	Width	Height	Depth
B12	Cabinet Dimension	12	34 1/2	24
	Door Dimension	11 1/2	22 1/2	3/4
	Drawer Front	11 1/2	6 1/4	3/4
	Drawer Box	8	3 1/4	20 3/8
B15	Cabinet Dimension	15	34 1/2	24
	Door Dimension	14 1/2	22 1/2	3/4
	Drawer Front	14 1/2	6 1/4	3/4
	Drawer Box	11	3 1/4	20 3/8
B18	Cabinet Dimension	18	34 1/2	24
	Door Dimension	17 1/2	22 1/2	3/4
	Drawer Front	17 1/2	6 1/4	3/4
	Drawer Box	14	3 1/4	20 3/8
B21	Cabinet Dimension	21	34 1/2	24
	Door Dimension	20 1/2	22 1/2	3/4
	Drawer Front	20 1/2	6 1/4	3/4
	Drawer Box	17	3 1/4	20 3/8

## PRODUCT SPECIFICATIONS - Base Cabinets

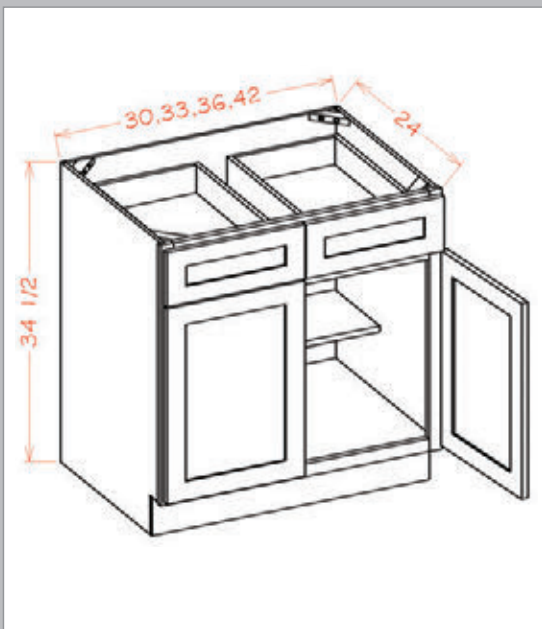
### Double Door Single Drawer Bases



Model	Description	Width	Height	Depth
B24	Cabinet Dimension	24	34 1/2	24
	Door Dimension	11 3/4	22 1/2	3/4
	Drawer Front	23 1/2	6 1/4	3/4
	Drawer Box	20	3 1/4	20 3/8
B27	Cabinet Dimension	27	34 1/2	24
	Door Dimension	13 1/4	22 1/2	3/4
	Drawer Front	26 1/2	6 1/4	3/4
	Drawer Box	23	3 1/4	20 3/8
B30	Cabinet Dimension	30	34 1/2	24
	Door Dimension	14 3/4	22 1/2	3/4
	Drawer Front	14 3/4	6 1/4	3/4
	Drawer Box	12	3 1/4	20 3/8

• B30 Single Drawer available in SE only

### Double Door Double Drawer Bases

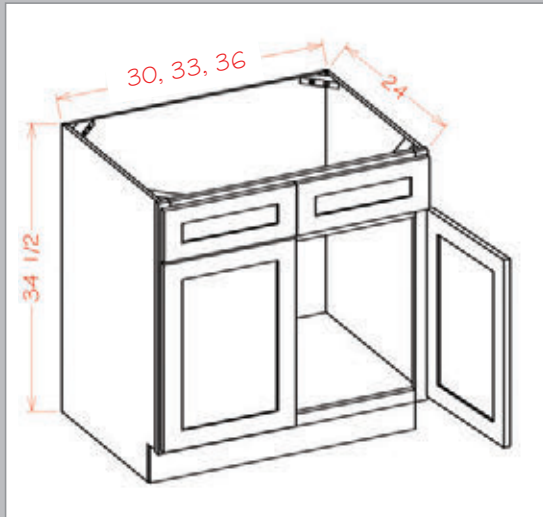


Model	Description	Width	Height	Depth
B30	Cabinet Dimension	30	34 1/2	24
	Door Dimension	14 3/4	22 1/2	3/4
	Drawer Front	14 3/4	6 1/4	3/4
	Drawer Box	12	3 1/4	20 3/8
B33	Cabinet Dimension	33	34 1/2	24
	Door Dimension	16 1/4	22 1/2	3/4
	Drawer Front	16 1/4	6 1/4	3/4
	Drawer Box	13 1/2	3 1/4	20 3/8
B36	Cabinet Dimension	36	34 1/2	24
	Door Dimension	17 3/4	22 1/2	3/4
	Drawer Front	17 3/4	6 1/4	3/4
	Drawer Box	15	3 1/4	20 3/8
B42	Cabinet Dimension	42	34 1/2	24
	Door Dimension	20 3/4	22 1/2	3/4
	Drawer Front	20 3/4	6 1/4	3/4
	Drawer Box	18	3 1/4	20 3/8

HIGHLAND SKUS & AVAILABILITY

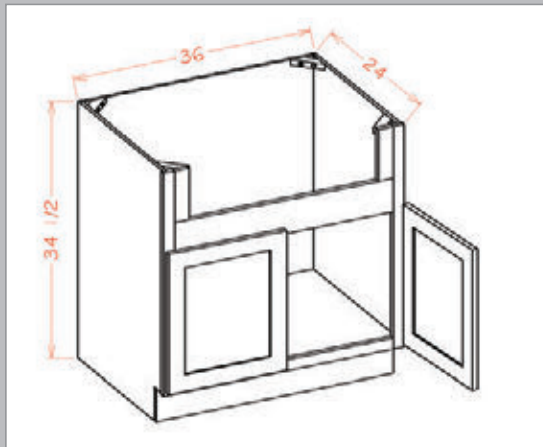
## PRODUCT SPECIFICATIONS - Base Cabinets

### Sink Bases



Model	Description	Width	Height	Depth
SB30	Cabinet Dimension	30	34 1/2	24
	Door Dimension	14 3/4	22 1/2	3/4
	Drawer Front	14 3/4	6 1/4	3/4
SB33	Cabinet Dimension	33	34 1/2	24
	Door Dimension	16 1/4	22 1/2	3/4
	Drawer Front	16 1/4	6 1/4	3/4
SB36	Cabinet Dimension	36	34 1/2	24
	Door Dimension	17 3/4	22 1/2	3/4
	Drawer Front	17 3/4	6 1/4	3/4

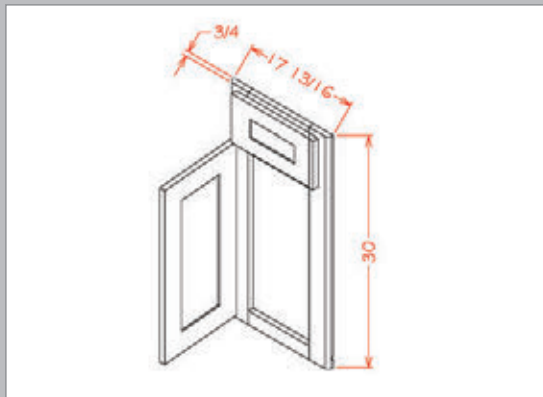
### Sink Bases - Farm Sink



Model	Description	Width	Height	Depth
FSB36	Cabinet Dimension	36	34 1/2	24
	Door Dimension	17 3/4	19 7/8	3/4

- Fits up to a 33"W x 9"H farm sink
- New updated option allowing up to a 10" farm sink coming soon

### Sink Bases - Diagonal Sink Front

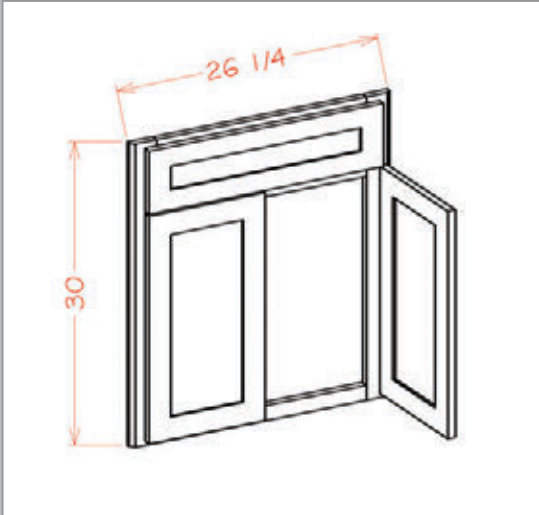


Model	Description	Width	Height	Depth
DCSF36	Cabinet Dimension	17 13/16	30	3/4
	Door Dimension	15 1/4	29	3/4

- Not available in Shaker Espresso
- DCSF36 to be used in conjunction with SBF3636
- Toe Kick Not Included

## PRODUCT SPECIFICATIONS - Base Cabinets

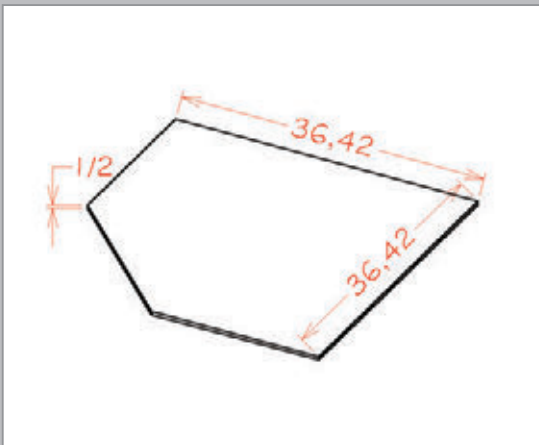
### Sink Bases - Diagonal Sink Front



Model	Description	Width	Height	Depth
DCSF42	Cabinet Dimension	26 1/4	30	3/4
	Door Dimension	11 3/4	22 1/2	3/4

- DCSF42 to be used in conjunction with SBF4242
- Toe Kick Not Included

### Sink Bases - Diagonal Sink Floor

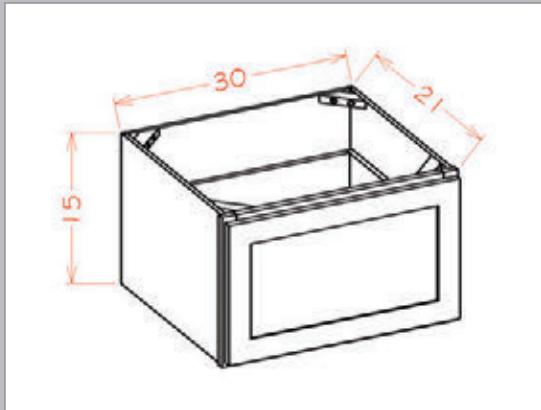


Model	Description	Width	Height	Depth
SBF3636	Dimension	36	3/4	36
SBF4242	Dimension	42	3/4	42

- Sink Floor Only, Use with Corresponding DCSF
- SBF3636 Not available in Shaker Espresso

## PRODUCT SPECIFICATIONS - Base Cabinets

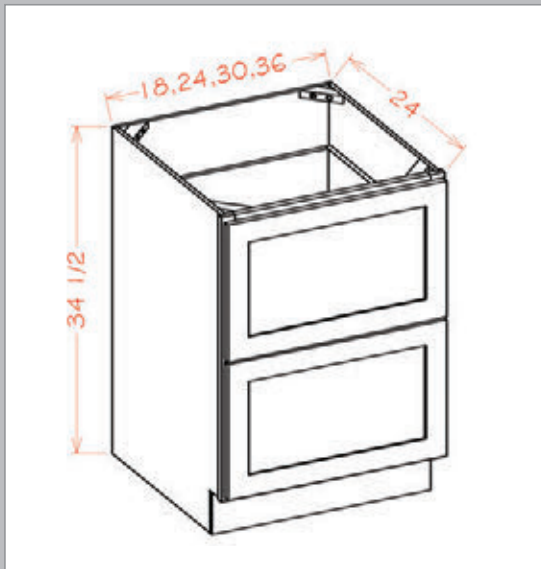
### One Drawer Base



Model	Description	Width	Height	Depth
1DB30	Cabinet Dimension	30	15	21
	Drawer Front	29 1/2	14 1/2	3/4
	Drawer Box	26	8 1/4	17 3/8

- Toe Kick Not Included

### Two Drawer Bases

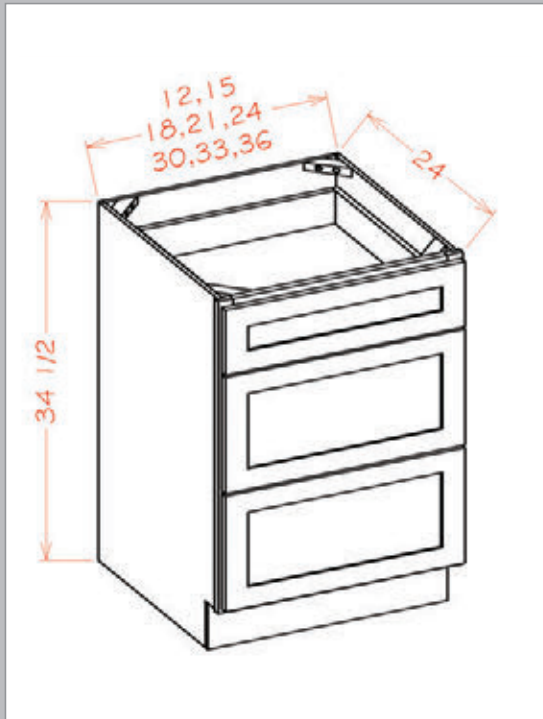


Model	Description	Width	Height	Depth
2DB18	Cabinet Dimension	18	34 1/2	24
	Drawer Fronts	17 1/2	14 1/2	3/4
	Drawer Boxes	14	8 1/4	20 3/8
2DB24	Cabinet Dimension	24	34 1/2	24
	Drawer Fronts	23 1/2	14 1/2	3/4
	Drawer Boxes	20	8 1/4	20 3/8
2DB30	Cabinet Dimension	30	34 1/2	24
	Drawer Fronts	29 1/2	14 1/2	3/4
	Drawer Boxes	26	8 1/4	20 3/8
2DB36	Cabinet Dimension	36	34 1/2	24
	Drawer Fronts	35 1/2	14 1/2	3/4
	Drawer Boxes	32	8 1/4	20 3/8



## PRODUCT SPECIFICATIONS - Base Cabinets

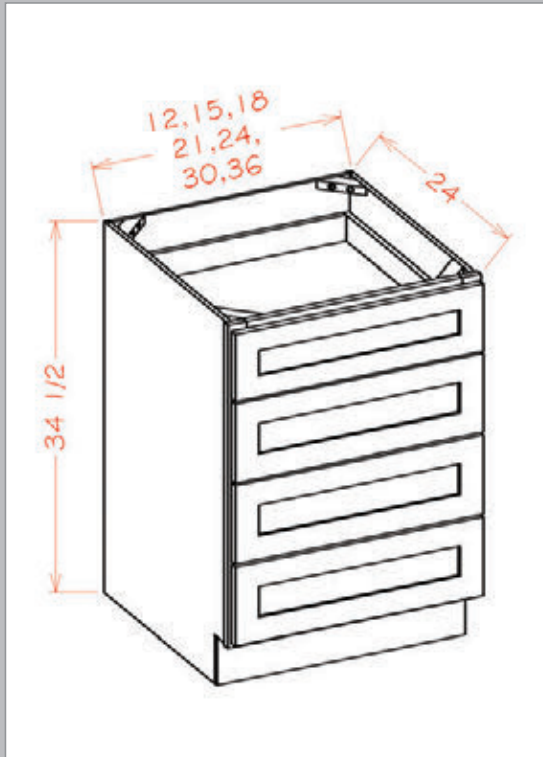
### Three Drawer Base



Model	Description	Width	Height	Depth
3DB12	Cabinet Dimension	12	34 1/2	24
	Top Drawer Front	11 1/2	6 1/4	3/4
	Bottom Drawer Front	11 1/2	11 1/8	3/4
	Top Drawer Box	8	3 3/8	20 3/8
	Bottom Drawer Box	8	8 1/4	20 3/8
3DB15	Cabinet Dimension	15	34 1/2	24
	Top Drawer Front	14 1/2	6 1/4	3/4
	Bottom Drawer Front	14 1/2	11 1/8	3/4
	Top Drawer Box	11	3 3/8	20 3/8
	Bottom Drawer Box	11	8 1/4	20 3/8
3DB18	Cabinet Dimension	18	34 1/2	24
	Top Drawer Front	17 1/2	6 1/4	3/4
	Bottom Drawer Front	17 1/2	11 1/8	3/4
	Top Drawer Box	14	3 3/8	20 3/8
	Bottom Drawer Box	14	8 1/4	20 3/8
3DB21	Cabinet Dimension	21	34 1/2	24
	Top Drawer Front	20 1/2	6 1/4	3/4
	Bottom Drawer Front	20 1/2	11 1/8	3/4
	Top Drawer Box	17 1/2	3 3/8	20 3/8
	Bottom Drawer Box	17 1/2	8 1/4	20 3/8
3DB24	Cabinet Dimension	24	34 1/2	24
	Top Drawer Front	23 1/2	6 1/4	3/4
	Bottom Drawer Front	23 1/2	11 1/8	3/4
	Top Drawer Box	20	3 3/8	20 3/8
	Bottom Drawer Box	20	8 1/4	20 3/8
3DB30	Cabinet Dimension	30	34 1/2	24
	Top Drawer Front	29 1/2	6 1/4	3/4
	Bottom Drawer Front	29 1/2	11 1/8	3/4
	Top Drawer Box	26	3 3/8	20 3/8
	Bottom Drawer Box	26	8 1/4	20 3/8
3DB36	Cabinet Dimension	36	34 1/2	24
	Top Drawer Front	35 1/2	6 1/4	3/4
	Bottom Drawer Front	35 1/2	11 1/8	3/4
	Top Drawer Box	32	3 3/8	20 3/8
	Bottom Drawer Box	32	8 1/4	20 3/8

## PRODUCT SPECIFICATIONS - Base Cabinets

### Four Drawer Base



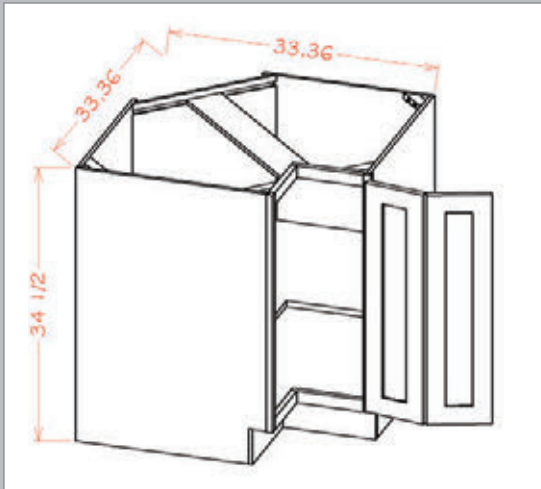
HIGHLAND SKUS & AVAILABILITY

Model	Description	Width	Height	Depth
4DB12	Cabinet Dimension	12	34 1/2	24
	Top Drawer Front	11 1/2	6 1/4	3/4
	Bottom Drawer Front	11 1/2	7 5/16	3/4
	Drawer Box	8	3 3/8	20 3/8
4DB15	Cabinet Dimension	15	34 1/2	24
	Top Drawer Front	14 1/2	6 1/4	3/4
	Bottom Drawer Front	14 1/2	7 5/16	3/4
	Drawer Box	11	3 3/8	20 3/8
4DB18	Cabinet Dimension	18	34 1/2	24
	Top Drawer Front	17 1/2	6 1/4	3/4
	Bottom Drawer Front	17 1/2	7 5/16	3/4
	Drawer Box	14	3 3/8	20 3/8
4DB21	Cabinet Dimension	21	34 1/2	24
	Top Drawer Front	20 1/2	6 1/4	3/4
	Bottom Drawer Front	20 1/2	7 5/16	3/4
	Drawer Box	17 1/2	3 3/8	20 3/8
4DB24	Cabinet Dimension	24	34 1/2	24
	Top Drawer Front	23 1/2	6 1/4	3/4
	Bottom Drawer Front	23 1/2	7 5/16	3/4
	Drawer Box	20	3 3/8	20 3/8
4DB30	Cabinet Dimension	30	34 1/2	24
	Top Drawer Front	29 1/2	6 1/4	3/4
	Bottom Drawer Front	29 1/2	7 5/16	3/4
	Drawer Box	26	3 3/8	20 3/8
4DB36	Cabinet Dimension	36	34 1/2	24
	Top Drawer Front	35 1/2	6 1/4	3/4
	Bottom Drawer Front	35 1/2	7 5/16	3/4
	Drawer Box	32	3 3/8	20 3/8

• Four Drawer Bases Not available in Shaker Espresso

## PRODUCT SPECIFICATIONS - Base Cabinets

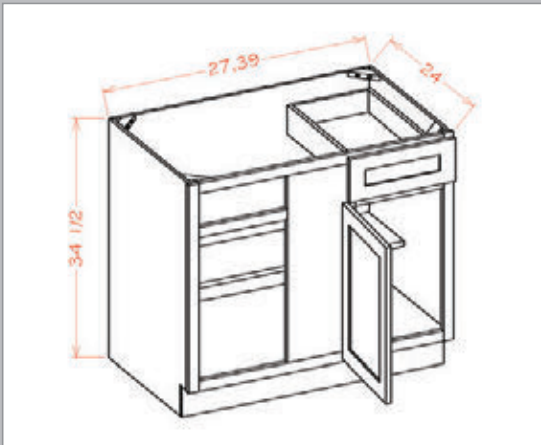
### Lazy Susans



Model	Description	Width	Height	Depth
BER33	Cabinet Dimension	33	34 1/2	33
	Door Dimension	7 5/8	29	3/4
BER36	Cabinet Dimension	36	34 1/2	36
	Door Dimension	10 5/8	29	3/4
LSB33	Cabinet Dimension	33	34 1/2	33
	Door Dimension	7 5/8	29	3/4
LSB36	Cabinet Dimension	36	34 1/2	36
	Door Dimension	10 5/8	29	3/4

- LSB33 Inside Opening is 11.5" W and Wooden Lazy Susan Tray is 27.5" W (Comes in a separate box)
- LSB36 Inside Opening is 15.5" W and Wooden Lazy Susan Tray is 27.5" W (Comes in a separate box)

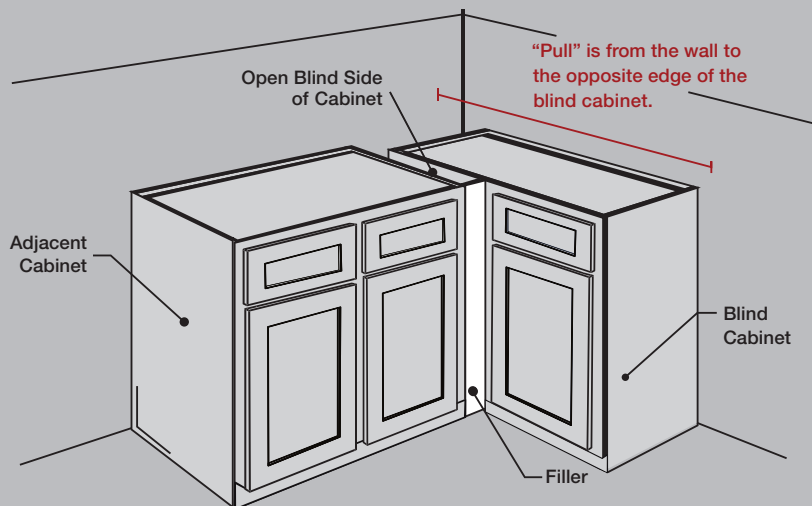
### Blind Bases



Model	Description	Width	Height	Depth
BBC36	Door Opening	7	20 1/2	22 3/4
	Cabinet Dimension	27	34 1/2	24
	Door Dimension	9 3/4	22 1/2	3/4
	Drawer Front	9 3/4	6 1/4	3/4
	Drawer Box	6 1/2	3 3/8	20 3/8
BBC42	Door Opening	12 3/4	20 1/2	22 3/4
	Cabinet Dimension	39	34 1/2	24
	Door Dimension	15 3/4	22 1/2	3/4
	Drawer Front	15 3/4	6 1/4	3/4
	Drawer Box	12 3/8	3 3/8	20 3/8

Model	Box Size	Min	Max	Stile
BBC36	27	36 1/2	43	10
BBC42	39	42 1/2	49	10

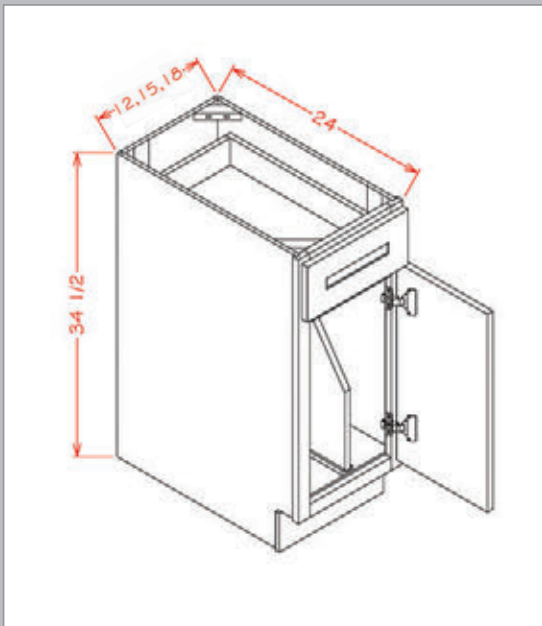
- Must Use Filler (not supplied)



HIGHLAND SKUS & AVAILABILITY

## PRODUCT SPECIFICATIONS - Base Cabinets

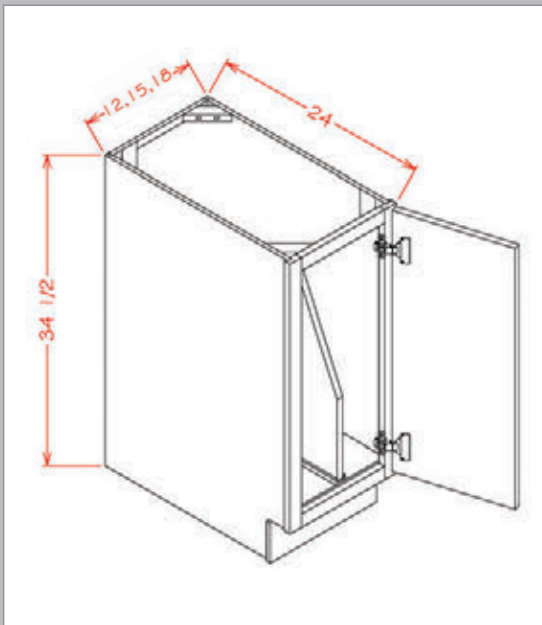
### Accessory Base Cabinets - Tray Divider Base Kit



Model	Description	Width	Height	Depth
B12TD	Cabinet Dimension	12	34 1/2	24
	Door Dimension	11 1/2	22 1/2	3/4
	Drawer Front	11 1/2	6 1/4	3/4
	Drawer Box	8	3 1/4	20 3/8
	Tray Divider	3/4	21	22 1/2
B15TD	Cabinet Dimension	15	34 1/2	24
	Door Dimension	14 1/2	22 1/2	3/4
	Drawer Front	14 1/2	6 1/4	3/4
	Drawer Box	11	3 1/4	20 3/8
	Tray Divider	3/4	21	22 1/2
B18TD	Cabinet Dimension	18	34 1/2	24
	Door Dimension	17 1/2	22 1/2	3/4
	Drawer Front	17 1/2	6 1/4	3/4
	Drawer Box	14	3 1/4	20 3/8
	Tray Divider	3/4	21	22 1/2

• B18TD Includes Two Dividers

### Accessory Base Cabinets - Full Height Tray Divider Base Kit

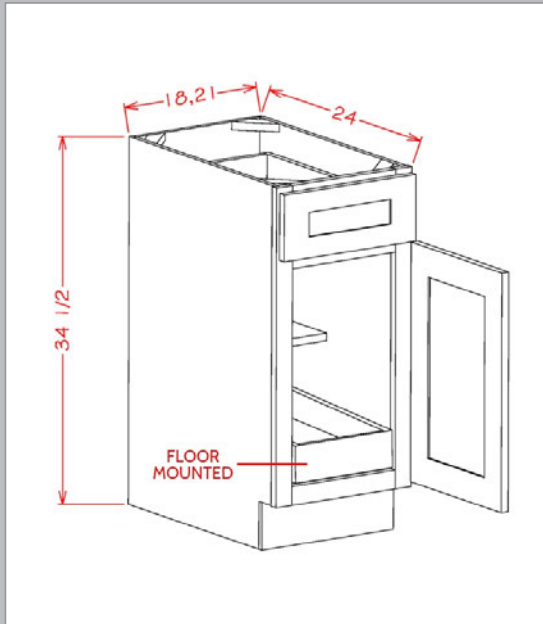


Model	Description	Width	Height	Depth
B12FHTD	Cabinet Dimension	12	34 1/2	24
	Door Dimension	11 1/2	29	3/4
	Tray Divider	3/4	27	22 1/2
B15FHTD	Cabinet Dimension	15	34 1/2	24
	Door Dimension	14 1/2	29	3/4
	Tray Divider	3/4	27	22 1/2
B18FHTD	Cabinet Dimension	18	34 1/2	24
	Door Dimension	17 1/2	29	3/4
	Tray Divider	3/4	27	22 1/2

• B18FHTD Includes Two Dividers

## PRODUCT SPECIFICATIONS - Base Cabinets

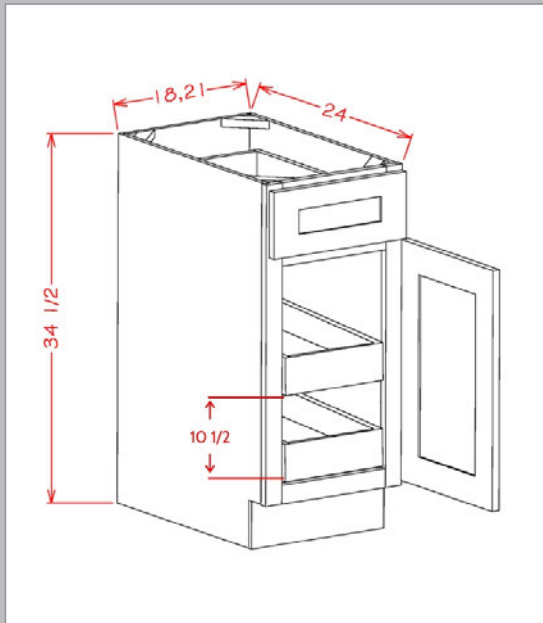
### Accessory Base Cabinets - Single Door Single Drawer One Rollout Shelf Base Kit



Model	Description	Width	Height	Depth
B181RS	Cabinet Dimension	18	34 1/2	24
	Door Dimension	17 1/2	22 1/2	3/4
	Drawer Front	17 1/2	6 1/4	3/4
	Drawer Box	14	3 1/4	20 3/8
B211RS	Cabinet Dimension	21	34 1/2	24
	Door Dimension	20 1/2	22 1/2	3/4
	Drawer Front	20 1/2	6 1/4	3/4
	Drawer Box	17	3 1/4	20 3/8

- See Page 72 for Rollout Shelf Dimensions
- Single Rollout Shelf Installed on Cabinet Floor

### Accessory Base Cabinets - Single Door Single Drawer Two Rollout Shelf Base Kit

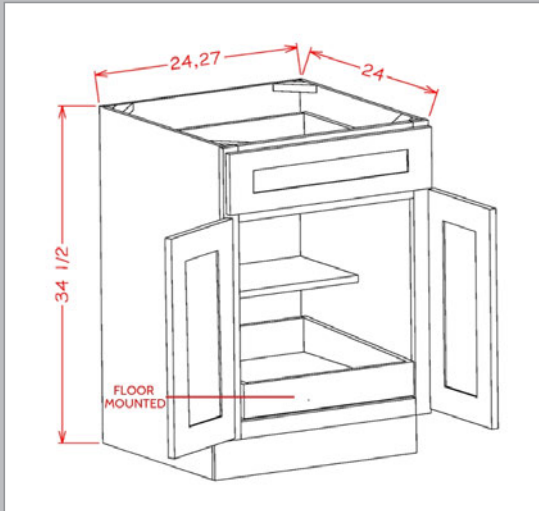


Model	Description	Width	Height	Depth
B182RS	Cabinet Dimension	18	34 1/2	24
	Door Dimension	17 1/2	22 1/2	3/4
	Drawer Front	17 1/2	6 1/4	3/4
	Drawer Box	14	3 1/4	20 3/8
B212RS	Cabinet Dimension	21	34 1/2	24
	Door Dimension	20 1/2	22 1/2	3/4
	Drawer Front	20 1/2	6 1/4	3/4
	Drawer Box	17	3 1/4	20 3/8

- See Page 72 for Rollout Shelf Dimensions
- Bottom Rollout Shelf Installed on Cabinet Floor

## PRODUCT SPECIFICATIONS - Base Cabinets

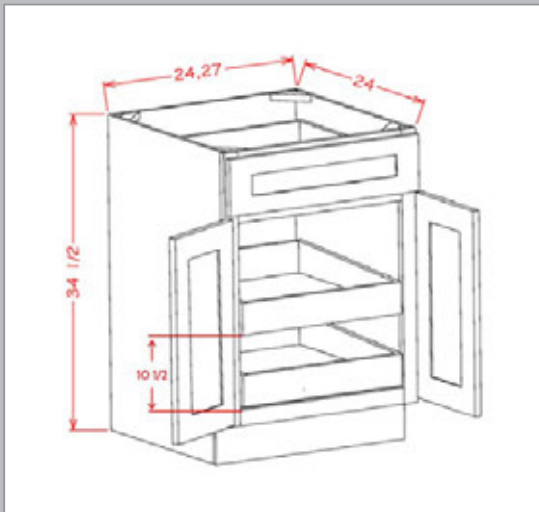
### Accessory Base Cabinets - Double Door Single Drawer One Rollout Shelf Base Kit



Model	Description	Width	Height	Depth
B241RS	Cabinet Dimension	24	34 1/2	24
	Door Dimension	11 3/4	22 1/2	3/4
	Drawer Front	23 1/2	6 1/4	3/4
	Drawer Box	20	3 1/4	20 3/8
B271RS	Cabinet Dimension	27	34 1/2	24
	Door Dimension	13 1/4	22 1/2	3/4
	Drawer Front	26 1/2	6 1/4	3/4
	Drawer Box	23	3 1/4	20 3/8

- See Page 72 for Rollout Shelf Dimensions
- Single Rollout Shelf Installed on Cabinet Floor

### Accessory Base Cabinets - Double Door Single Drawer Two Rollout Shelf Base Kit

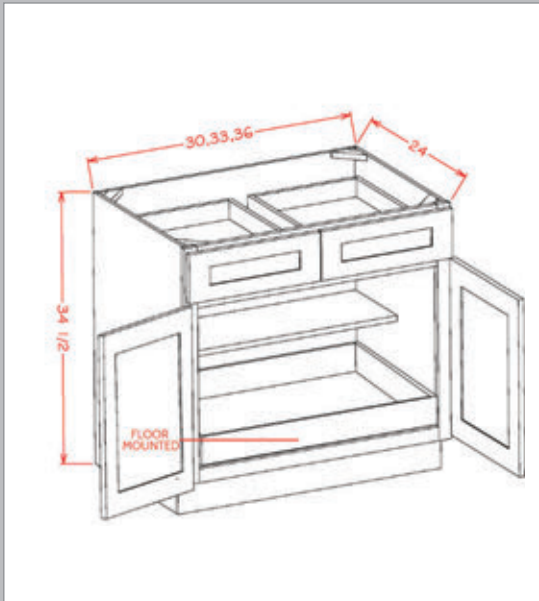


Model	Description	Width	Height	Depth
B242RS	Cabinet Dimension	24	34 1/2	24
	Door Dimension	11 3/4	22 1/2	3/4
	Drawer Front	23 1/2	6 1/4	3/4
	Drawer Box	20	3 1/4	20 3/8
B272RS	Cabinet Dimension	27	34 1/2	24
	Door Dimension	13 1/4	22 1/2	3/4
	Drawer Front	26 1/2	6 1/4	3/4
	Drawer Box	23	3 1/4	20 3/8

- See Page 72 for Rollout Shelf Dimensions
- Bottom Rollout Shelf Installed on Cabinet Floor

## PRODUCT SPECIFICATIONS - Base Cabinets

### Accessory Base Cabinets - Double Door Double Drawer One Rollout Shelf Base Kit

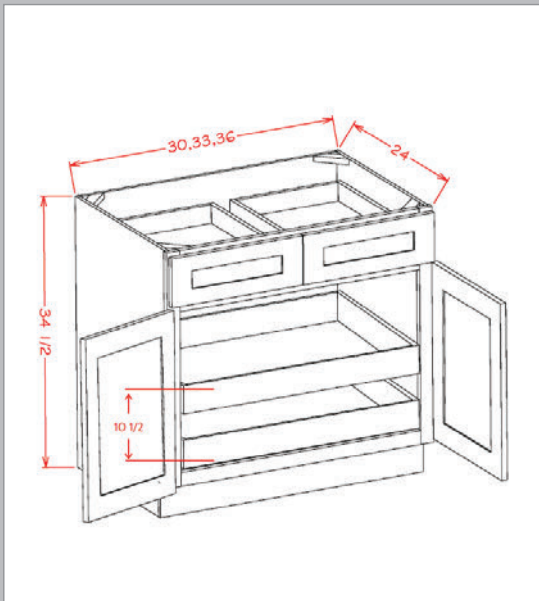


Model	Description	Width	Height	Depth
B301RS	Cabinet Dimension	30	34 1/2	24
	Door Dimension	14 3/4	22 1/2	3/4
	Drawer Front	14 3/4	6 1/4	3/4
	Drawer Box	12	3 1/4	20 3/8
B331RS	Cabinet Dimension	33	34 1/2	24
	Door Dimension	16 1/4	22 1/2	3/4
	Drawer Front	16 1/4	6 1/4	3/4
	Drawer Box	13 1/2	3 1/4	20 3/8
B361RS	Cabinet Dimension	36	34 1/2	24
	Door Dimension	17 3/4	22 1/2	3/4
	Drawer Front	17 3/4	6 1/4	3/4
	Drawer Box	15	3 1/4	20 3/8

• SE-B30 only has one drawer.

- See Page 72 for Rollout Shelf Dimensions
- Single Rollout Shelf Installed on Cabinet Floor

### Accessory Base Cabinets - Double Door Double Drawer Two Rollout Shelf Base Kit



Model	Description	Width	Height	Depth
B302RS	Cabinet Dimension	30	34 1/2	24
	Door Dimension	14 3/4	22 1/2	3/4
	Drawer Front	14 3/4	6 1/4	3/4
	Drawer Box	12	3 1/4	20 3/8
B332RS	Cabinet Dimension	33	34 1/2	24
	Door Dimension	16 1/4	22 1/2	3/4
	Drawer Front	16 1/4	6 1/4	3/4
	Drawer Box	13 1/2	3 1/4	20 3/8
B362RS	Cabinet Dimension	36	34 1/2	24
	Door Dimension	17 3/4	22 1/2	3/4
	Drawer Front	17 3/4	6 1/4	3/4
	Drawer Box	15	3 1/4	20 3/8

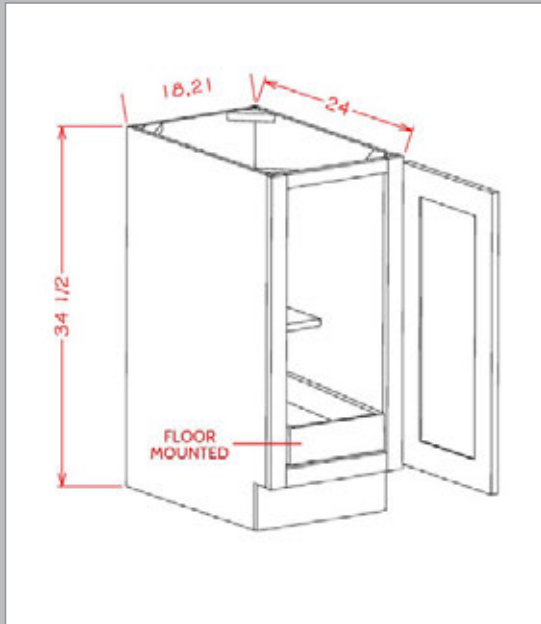
• SE-B30 only has one drawer.

- See Page 72 for Rollout Shelf Dimensions
- Bottom Rollout Shelf Installed on Cabinet Floor

HIGHLAND SKUS & AVAILABILITY

## PRODUCT SPECIFICATIONS - Base Cabinets

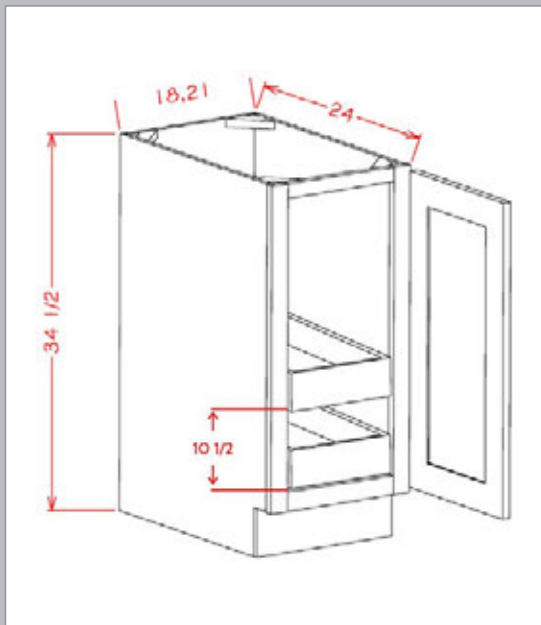
### Accessory Base Cabinets - Single Full Height Door One Rollout Shelf Base Kit



Model	Description	Width	Height	Depth
B18FH1RS	Cabinet Dimension	18	34 1/2	24
	Door Dimension	17 1/2	29	3/4
B21FH1RS	Cabinet Dimension	21	34 1/2	24
	Door Dimension	20 1/2	29	3/4

- See Page 72 for Rollout Shelf Dimensions
- Single Rollout Shelf Installed on Cabinet Floor

### Accessory Base Cabinets - Single Full Height Door Two Rollout Shelf Base Kit



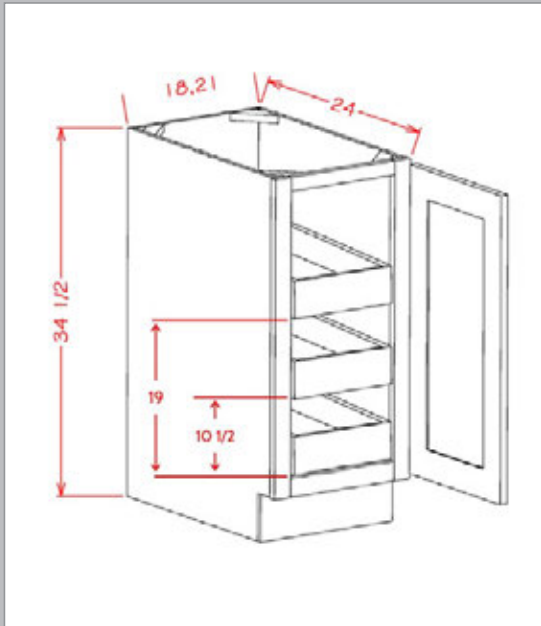
Model	Description	Width	Height	Depth
B18FH2RS	Cabinet Dimension	18	34 1/2	24
	Door Dimension	17 1/2	29	3/4
B21FH2RS	Cabinet Dimension	21	34 1/2	24
	Door Dimension	20 1/2	29	3/4

- See Page 72 for Rollout Shelf Dimensions
- Bottom Rollout Shelf Installed on Cabinet Floor



## PRODUCT SPECIFICATIONS - Base Cabinets

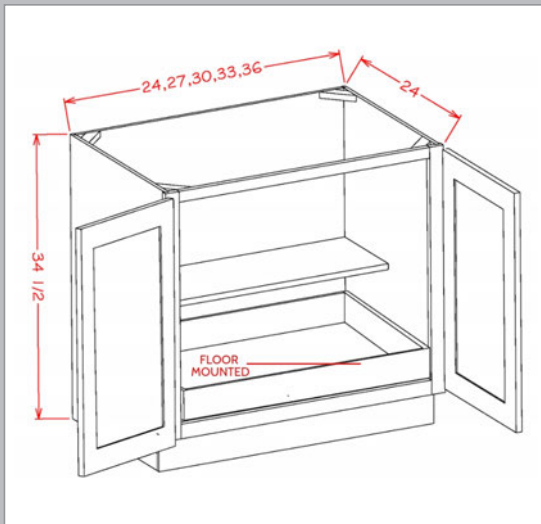
### Accessory Base Cabinets - Single Full Height Door Three Rollout Shelf Base Kit



Model	Description	Width	Height	Depth
B18FH3RS	Cabinet Dimension	18	34 1/2	24
	Door Dimension	17 1/2	29	3/4
B21FH3RS	Cabinet Dimension	21	34 1/2	24
	Door Dimension	20 1/2	29	3/4

- See Page 72 for Rollout Shelf Dimensions
- Bottom Rollout Shelf Installed on Cabinet Floor

### Accessory Base Cabinets - Double Full Height Door One Rollout Shelf Base Kit

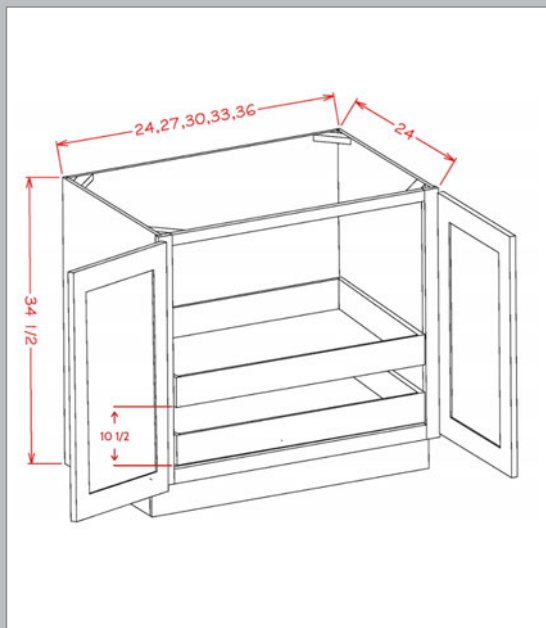


Model	Description	Width	Height	Depth
B24FH1RS	Cabinet Dimension	24	34 1/2	24
	Door Dimension	11 3/4	29	3/4
B27FH1RS	Cabinet Dimension	27	34 1/2	24
	Door Dimension	13 3/4	29	3/4
B30FH1RS	Cabinet Dimension	30	34 1/2	24
	Door Dimension	14 3/4	29	3/4
B33FH1RS	Cabinet Dimension	33	34 1/2	24
	Door Dimension	16 3/4	29	3/4
B36FH1RS	Cabinet Dimension	36	34 1/2	24
	Door Dimension	17 3/4	29	3/4

- See Page 72 for Rollout Shelf Dimensions
- Single Rollout Shelf Installed on Cabinet Floor

## PRODUCT SPECIFICATIONS - Base Cabinets

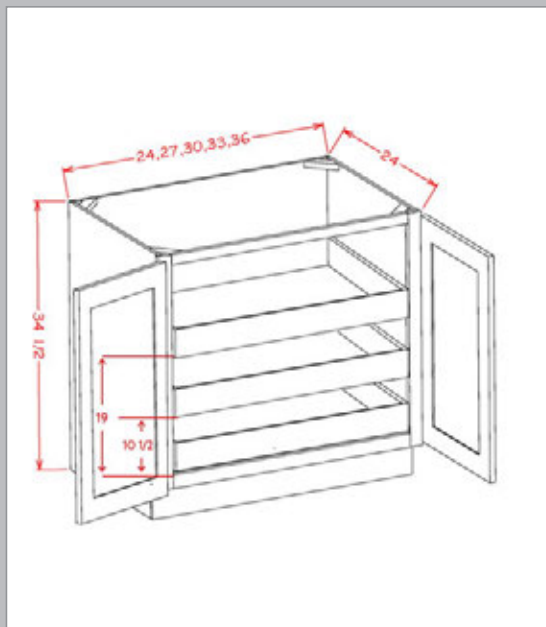
### Accessory Base Cabinets - Double Full Height Door Two Rollout Shelf Base Kit



Model	Description	Width	Height	Depth
B24FH2RS	Cabinet Dimension	24	34 1/2	24
	Door Dimension	11 3/4	29	3/4
B27FH2RS	Cabinet Dimension	27	34 1/2	24
	Door Dimension	13 3/4	29	3/4
B30FH2RS	Cabinet Dimension	30	34 1/2	24
	Door Dimension	14 3/4	29	3/4
B33FH2RS	Cabinet Dimension	33	34 1/2	24
	Door Dimension	16 3/4	29	3/4
B36FH2RS	Cabinet Dimension	36	34 1/2	24
	Door Dimension	17 3/4	29	3/4

- See Page 72 for Rollout Shelf Dimensions
- Bottom Rollout Shelf Installed on Cabinet Floor

### Accessory Base Cabinets - Double Full Height Door Three Rollout Shelf Base Kit

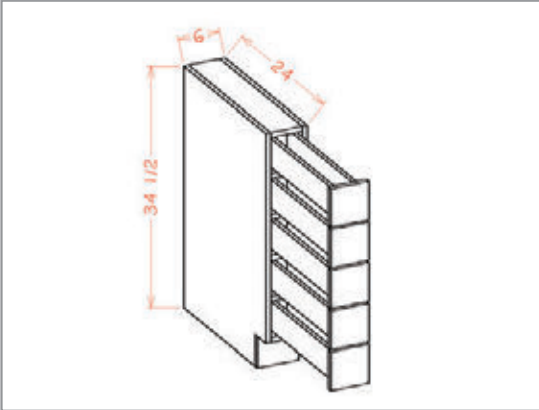


Model	Description	Width	Height	Depth
B24FH3RS	Cabinet Dimension	24	34 1/2	24
	Door Dimension	11 3/4	29	3/4
B27FH3RS	Cabinet Dimension	27	34 1/2	24
	Door Dimension	13 3/4	29	3/4
B30FH3RS	Cabinet Dimension	30	34 1/2	24
	Door Dimension	14 3/4	29	3/4
B33FH3RS	Cabinet Dimension	33	34 1/2	24
	Door Dimension	16 3/4	29	3/4
B36FH3RS	Cabinet Dimension	36	34 1/2	24
	Door Dimension	17 3/4	29	3/4

- See Page 72 for Rollout Shelf Dimensions
- Bottom Rollout Shelf Installed on Cabinet Floor

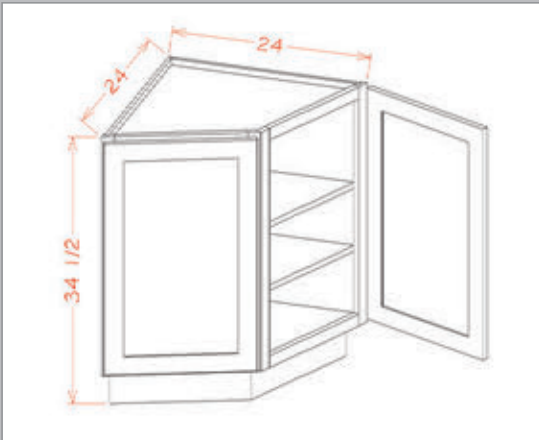
## PRODUCT SPECIFICATIONS - Base Cabinets

### Accessory Base Cabinets - Spice Drawer



Model	Description	Width	Height	Depth
BSDC6	Cabinet Dimension	6	34 1/2	24
	Drawer Front	5 1/2	5	3/4
	Drawer Box	4 1/2	4 1/8	23 1/4

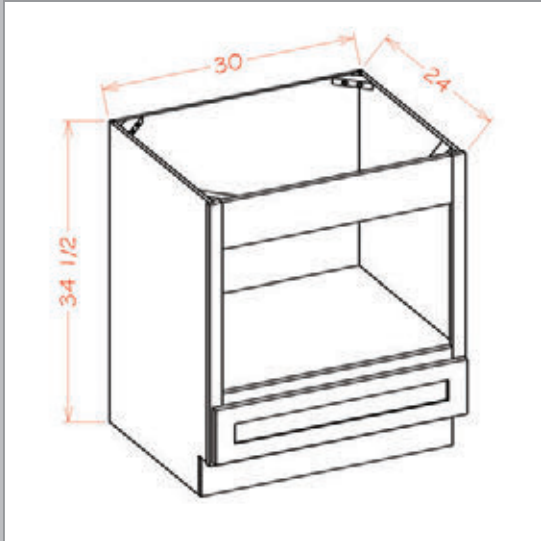
### Base End Cabinet



Model	Description	Width	Height	Depth
BEC24	Cabinet Dimension	24	34 1/2	24
	Door Dimension	17 1/2	29	3/4

## PRODUCT SPECIFICATIONS - Base Cabinets

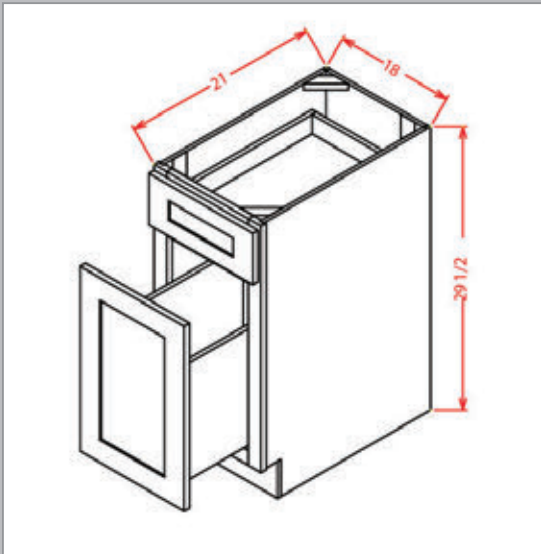
### Base Microwave Cabinet



Model	Description	Width	Height	Depth
BMW30	Cabinet Dimension	30	34 1/2	24
	Microwave Opening	26 1/2	16 1/2	23
	Drawer Front	29 1/2	6 1/4	3/4
	Drawer Box	26	3 3/8	21

- Microwave Opening trimmable to 20 1/8" High

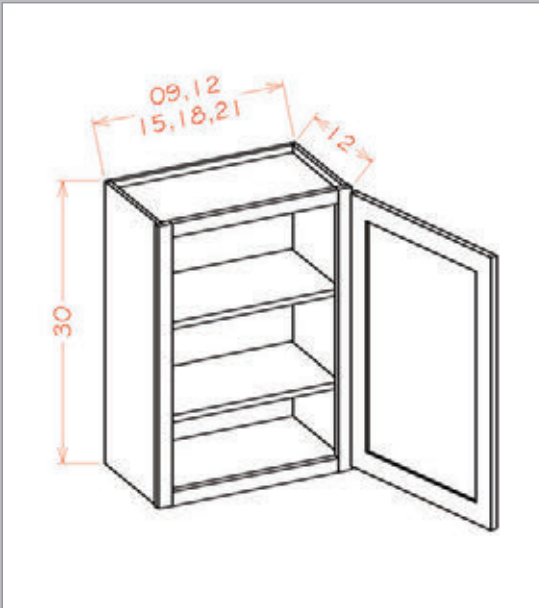
### Drawer File Base



Model	Description	Width	Height	Depth
DFB18	Cabinet Dimension	18	29 1/2	21
	Top Drawer Front	17 1/2	6 1/4	3/4
	Bottom Drawer Front	17 1/2	17 1/2	3/4
	Top Drawer Box	14	3 3/8	17 3/8
	Bottom Drawer Box	14	9 1/4	17 3/8

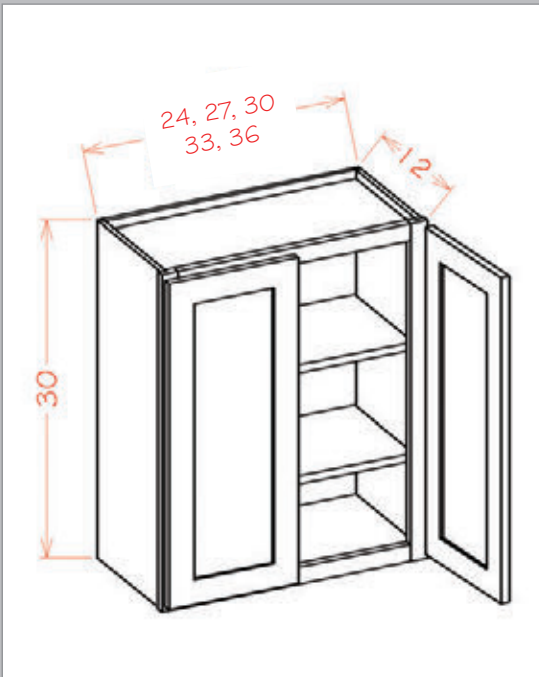
## PRODUCT SPECIFICATIONS - Wall Cabinets

### 30" High Wall Cabinets - Single Door \*2 Adjustable Shelves



Model	Description	Width	Height	Depth
W0930	Cabinet Dimension	9	30	12
	Door Dimension	8 1/2	29	3/4
W1230	Cabinet Dimension	12	30	12
	Door Dimension	11 1/2	29	3/4
W1530	Cabinet Dimension	15	30	12
	Door Dimension	14 1/2	29	3/4
W1830	Cabinet Dimension	18	30	12
	Door Dimension	17 1/2	29	3/4
W2130	Cabinet Dimension	21	30	12
	Door Dimension	20 1/2	29	3/4

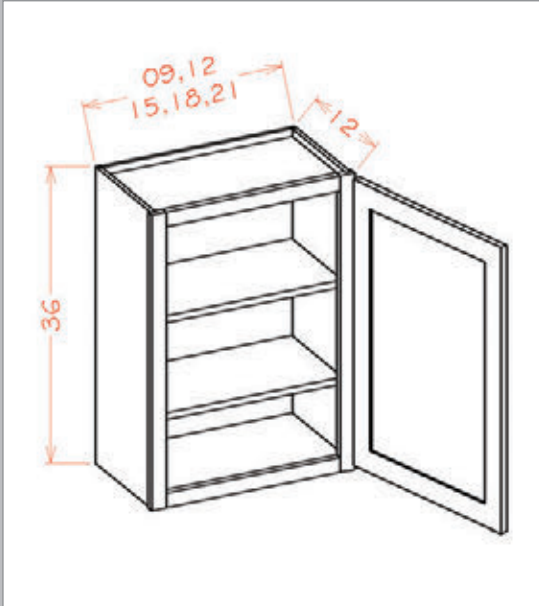
### 30" High Wall Cabinets - Double Door \*2 Adjustable Shelves



Model	Description	Width	Height	Depth
W2430	Cabinet Dimension	24	30	12
	Door Dimension	11 3/4	29	3/4
W2730	Cabinet Dimension	27	30	12
	Door Dimension	13 1/4	29	3/4
W3030	Cabinet Dimension	30	30	12
	Door Dimension	14 3/4	29	3/4
W3330	Cabinet Dimension	33	30	12
	Door Dimension	16 1/4	29	3/4
W3630	Cabinet Dimension	36	30	12
	Door Dimension	17 3/4	29	3/4

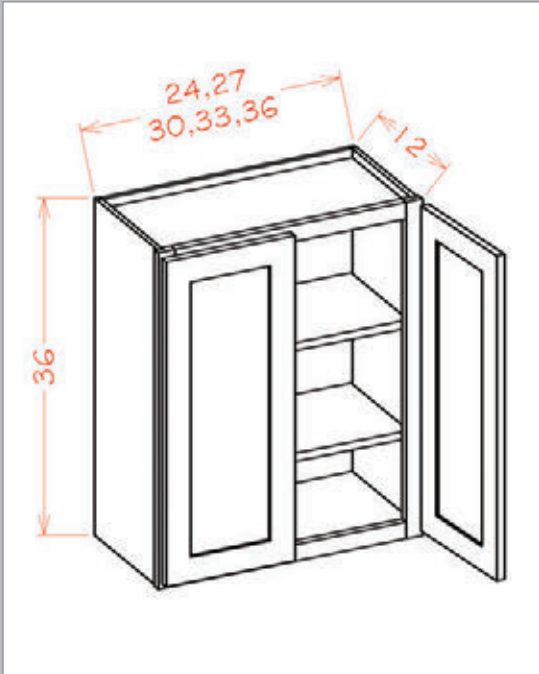
## PRODUCT SPECIFICATIONS - Wall Cabinets

### 36" High Wall Cabinets - Single Door \*2 Adjustable Shelves



Model	Description	Width	Height	Depth
W0936	Cabinet Dimension	9	36	12
	Door Dimension	8 1/2	35	3/4
W1236	Cabinet Dimension	12	36	12
	Door Dimension	11 1/2	35	3/4
W1536	Cabinet Dimension	15	36	12
	Door Dimension	14 1/2	35	3/4
W1836	Cabinet Dimension	18	36	12
	Door Dimension	17 1/2	35	3/4
W2136	Cabinet Dimension	21	36	12
	Door Dimension	20 1/2	35	3/4

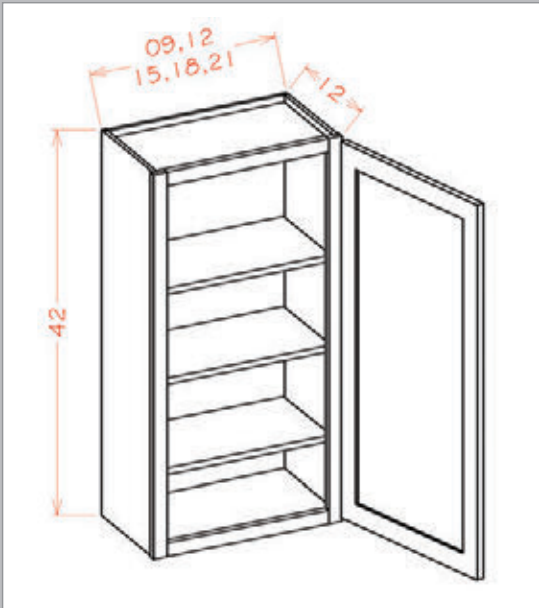
### 36" High Wall Cabinets - Double Door \*2 Adjustable Shelves



Model	Description	Width	Height	Depth
W2436	Cabinet Dimension	24	36	12
	Door Dimension	11 3/4	35	3/4
W2736	Cabinet Dimension	27	36	12
	Door Dimension	13 1/4	35	3/4
W3036	Cabinet Dimension	30	36	12
	Door Dimension	14 3/4	35	3/4
W3336	Cabinet Dimension	33	36	12
	Door Dimension	16 1/4	35	3/4
W3636	Cabinet Dimension	36	36	12
	Door Dimension	17 3/4	35	3/4

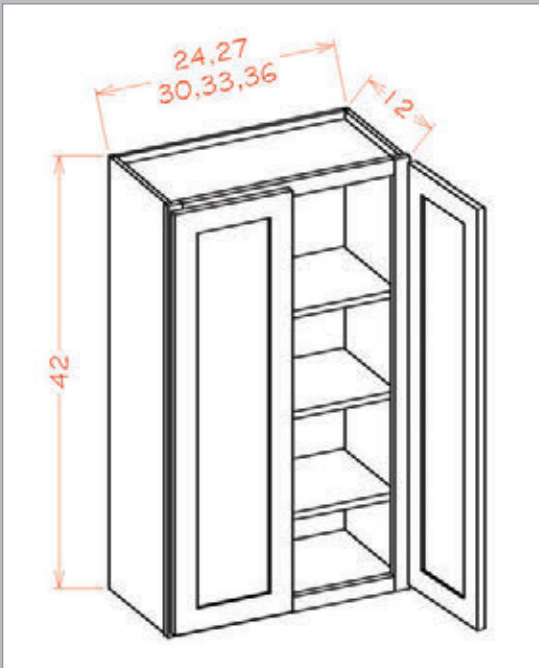
## PRODUCT SPECIFICATIONS - Wall Cabinets

### 42" High Wall Cabinets - Single Door \*3 Adjustable Shelves



Model	Description	Width	Height	Depth
W0942	Cabinet Dimension	9	42	12
	Door Dimension	8 1/2	41	3/4
W1242	Cabinet Dimension	12	42	12
	Door Dimension	11 1/2	41	3/4
W1542	Cabinet Dimension	15	42	12
	Door Dimension	14 1/2	41	3/4
W1842	Cabinet Dimension	18	42	12
	Door Dimension	17 1/2	41	3/4
W2142	Cabinet Dimension	21	42	12
	Door Dimension	20 1/2	41	3/4

### 42" High Wall Cabinets - Double Door \*3 Adjustable Shelves

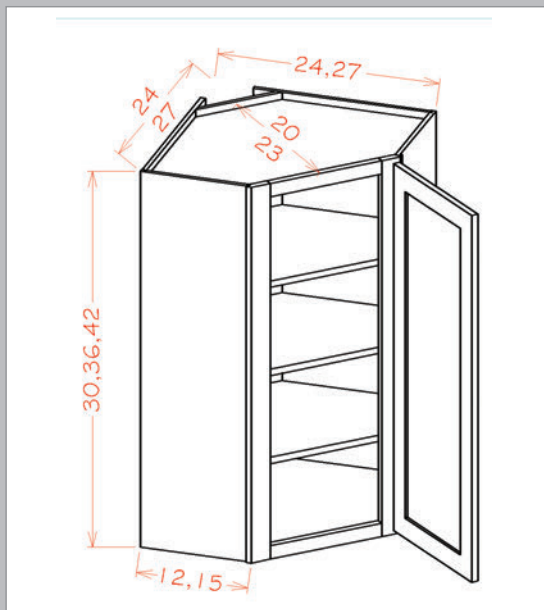


Model	Description	Width	Height	Depth
W2442	Cabinet Dimension	24	42	12
	Door Dimension	11 3/4	41	3/4
W2742	Cabinet Dimension	27	42	12
	Door Dimension	13 1/4	41	3/4
W3042	Cabinet Dimension	30	42	12
	Door Dimension	14 3/4	41	3/4
W3342	Cabinet Dimension	33	42	12
	Door Dimension	16 1/4	41	3/4
W3642	Cabinet Dimension	36	42	12
	Door Dimension	17 3/4	41	3/4

HIGHLAND SKUS & AVAILABILITY

## PRODUCT SPECIFICATIONS - Wall Cabinets

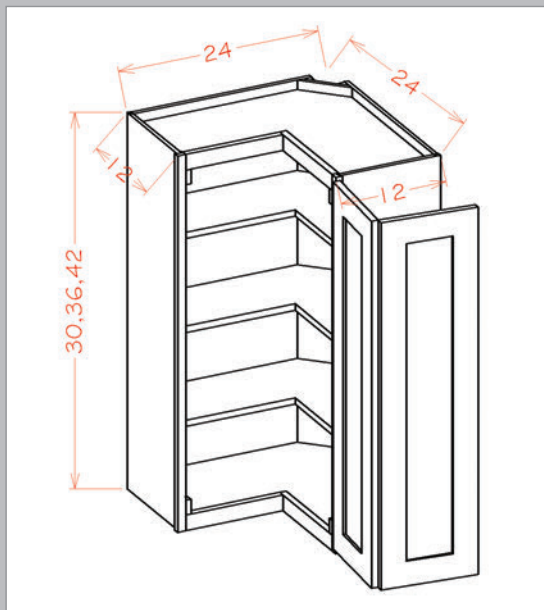
### Diagonal Corner Wall Cabinets



Model	Description	Width	Height	Depth
DCW2430	Cabinet Dimension	24	30	12
	Door Dimension	15 1/4	29	3/4
DCW2436	Cabinet Dimension	24	36	12
	Door Dimension	15 1/4	35	3/4
DCW2736	Cabinet Dimension	27	36	15
	Door Dimension	15 1/4	35	3/4
DCW2442	Cabinet Dimension	24	42	12
	Door Dimension	15 1/4	41	3/4
DCW2742	Cabinet Dimension	27	42	15
	Door Dimension	15 1/4	41	3/4

- DCW Inside Openings are 12 1/8" Wide

### Wall Easy Reach



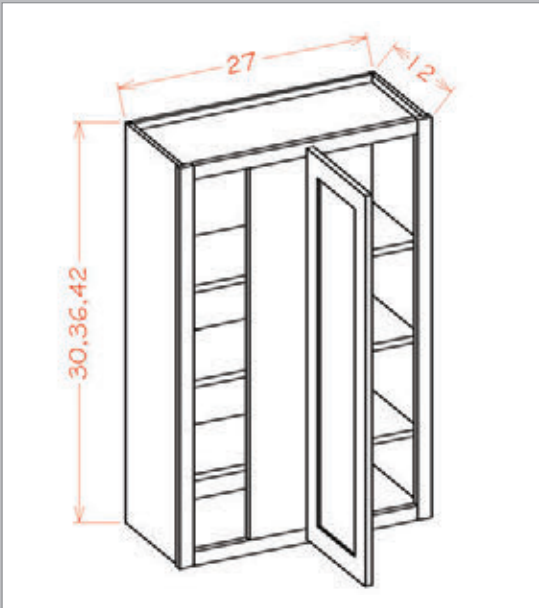
Model	Description	Width	Height	Depth
WER2430	Cabinet Dimension	24	30	12
	Door Dimension	10 5/8	29	3/4
WER2436	Cabinet Dimension	24	36	12
	Door Dimension	10 5/8	35	3/4
WER2442	Cabinet Dimension	24	42	12
	Door Dimension	10 5/8	41	3/4

- Wall Easy Reaches Not available in Shaker Espresso



## PRODUCT SPECIFICATIONS - Wall Cabinets

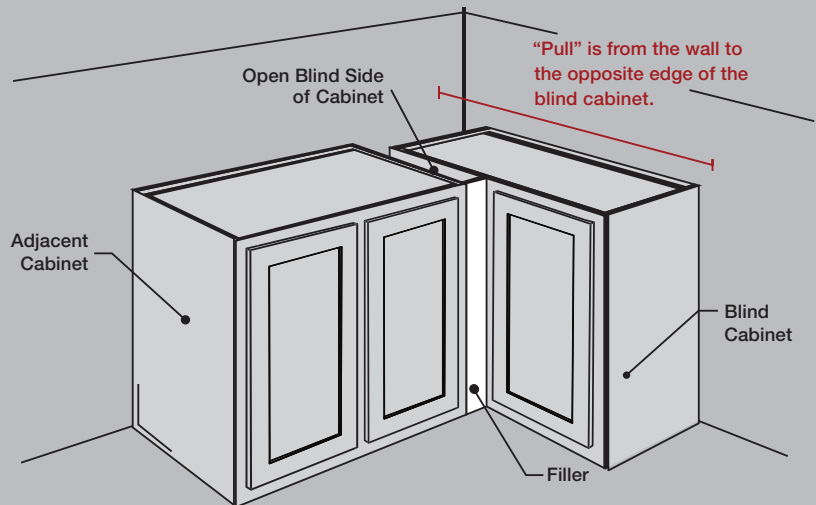
### Wall Blind Cabinets



Box Size	Min	Max	Stile
27	28	31	8

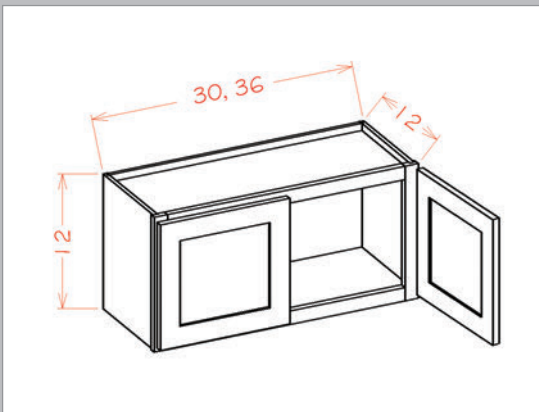
- Must Use Filler (not supplied)

Model	Description	Width	Height	Depth
WBC2730	Cabinet Dimension	27	30	12
	Door Dimension	12 1/2	29	3/4
WBC2736	Cabinet Dimension	27	36	12
	Door Dimension	12 1/2	35	3/4
WBC2742	Cabinet Dimension	27	42	12
	Door Dimension	12 1/2	41	3/4



HIGHLAND SKUS & AVAILABILITY

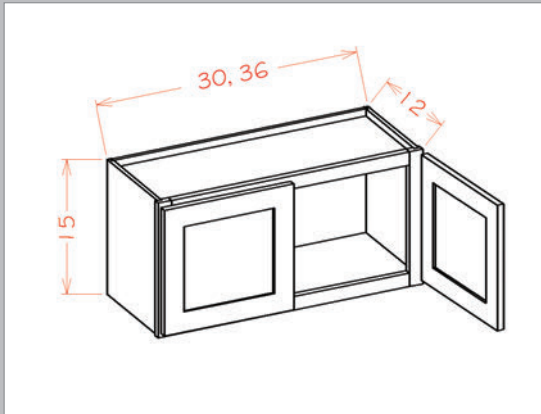
### Bridge Cabinets - 12" High



Model	Description	Width	Height	Depth
W3012	Cabinet Dimension	30	12	12
	Door Dimension	14 3/4	11	3/4
W3612	Cabinet Dimension	36	12	12
	Door Dimension	17 3/4	11	3/4

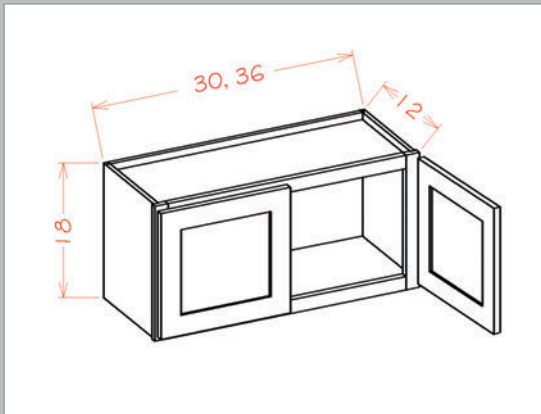
## PRODUCT SPECIFICATIONS - Wall Cabinets

### Bridge Cabinets - 15" High



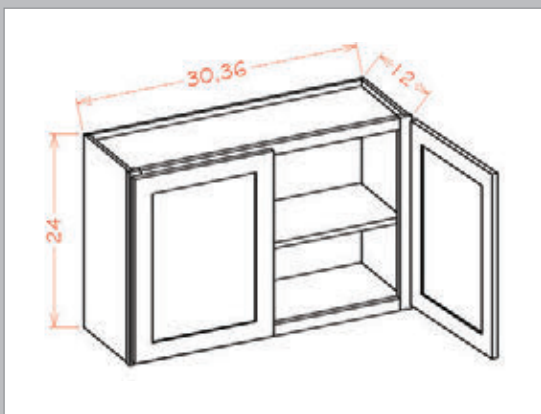
Model	Description	Width	Height	Depth
W3015	Cabinet Dimension	30	15	12
	Door Dimension	14 <sup>3</sup> / <sub>4</sub>	14	<sup>3</sup> / <sub>4</sub>
W3615	Cabinet Dimension	36	15	12
	Door Dimension	17 <sup>3</sup> / <sub>4</sub>	14	<sup>3</sup> / <sub>4</sub>

### Bridge Cabinets - 18" High



Model	Description	Width	Height	Depth
W3018	Cabinet Dimension	30	18	12
	Door Dimension	14 <sup>3</sup> / <sub>4</sub>	17	<sup>3</sup> / <sub>4</sub>
W3618	Cabinet Dimension	36	18	12
	Door Dimension	17 <sup>3</sup> / <sub>4</sub>	17	<sup>3</sup> / <sub>4</sub>

### Bridge Cabinets - 24" High

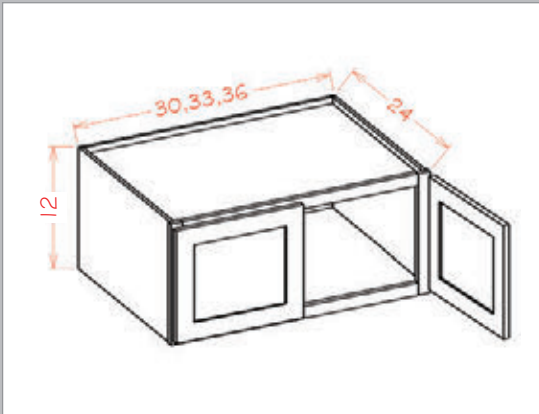


Model	Description	Width	Height	Depth
W3024	Cabinet Dimension	30	24	12
	Door Dimension	14 <sup>3</sup> / <sub>4</sub>	23	<sup>3</sup> / <sub>4</sub>
W3624	Cabinet Dimension	36	24	12
	Door Dimension	17 <sup>3</sup> / <sub>4</sub>	23	<sup>3</sup> / <sub>4</sub>

- All 24" High Cabinets Include One Inner Shelf

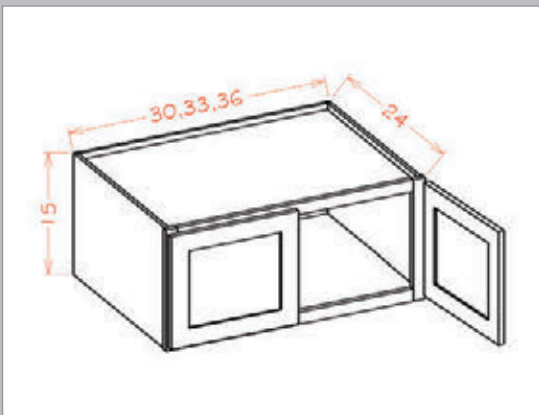
## PRODUCT SPECIFICATIONS - Wall Cabinets

### Wall Refrigerator Cabinets - 12" H (24" Deep)



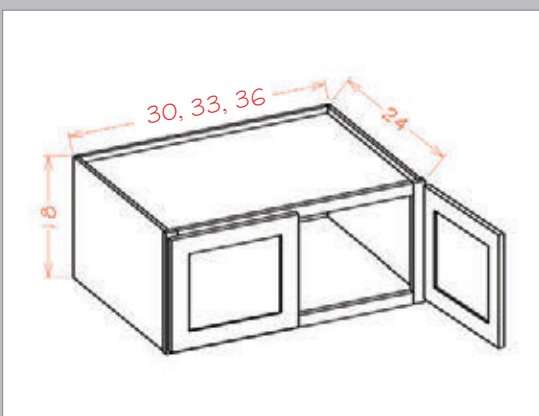
Model	Description	Width	Height	Depth
W301224	Cabinet Dimension	30	12	24
	Door Dimension	14 <sup>3</sup> / <sub>4</sub>	11	<sup>3</sup> / <sub>4</sub>
W331224	Cabinet Dimension	33	12	24
	Door Dimension	16 <sup>1</sup> / <sub>2</sub>	11	<sup>3</sup> / <sub>4</sub>
W361224	Cabinet Dimension	36	12	24
	Door Dimension	17 <sup>3</sup> / <sub>4</sub>	11	<sup>3</sup> / <sub>4</sub>

### Wall Refrigerator Cabinets - 15" H (24" Deep)



Model	Description	Width	Height	Depth
W301524	Cabinet Dimension	30	15	24
	Door Dimension	14 <sup>3</sup> / <sub>4</sub>	14	<sup>3</sup> / <sub>4</sub>
W331524	Cabinet Dimension	33	15	24
	Door Dimension	16 <sup>1</sup> / <sub>2</sub>	14	<sup>3</sup> / <sub>4</sub>
W361524	Cabinet Dimension	36	15	24
	Door Dimension	17 <sup>3</sup> / <sub>4</sub>	14	<sup>3</sup> / <sub>4</sub>

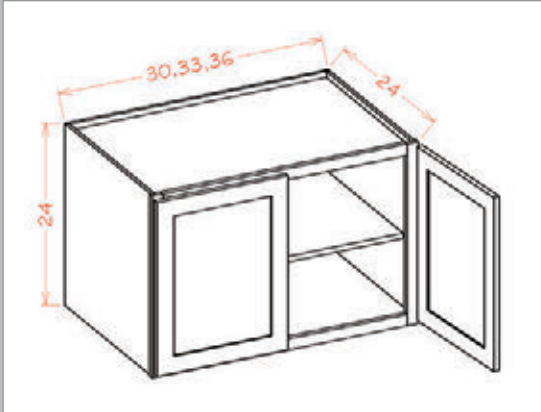
### Wall Refrigerator Cabinets - 18" H (24" Deep)



Model	Description	Width	Height	Depth
W301824	Cabinet Dimension	30	18	24
	Door Dimension	14 <sup>3</sup> / <sub>4</sub>	17	<sup>3</sup> / <sub>4</sub>
W331824	Cabinet Dimension	33	18	24
	Door Dimension	16 <sup>1</sup> / <sub>2</sub>	17	<sup>3</sup> / <sub>4</sub>
W361824	Cabinet Dimension	36	18	24
	Door Dimension	17 <sup>3</sup> / <sub>4</sub>	17	<sup>3</sup> / <sub>4</sub>

## PRODUCT SPECIFICATIONS - Wall Cabinets

### Wall Refrigerator Cabinets - 24" H (24" Deep)



Model	Description	Width	Height	Depth
W302424	Cabinet Dimension	30	24	24
	Door Dimension	14 <sup>3</sup> / <sub>4</sub>	23	<sup>3</sup> / <sub>4</sub>
W332424	Cabinet Dimension	33	24	24
	Door Dimension	16 <sup>1</sup> / <sub>2</sub>	23	<sup>3</sup> / <sub>4</sub>
W362424	Cabinet Dimension	36	24	24
	Door Dimension	17 <sup>3</sup> / <sub>4</sub>	23	<sup>3</sup> / <sub>4</sub>

- All 24" High Cabinets Include One Inner Shelf

### Glass Door Wall Cabinets - Single Door

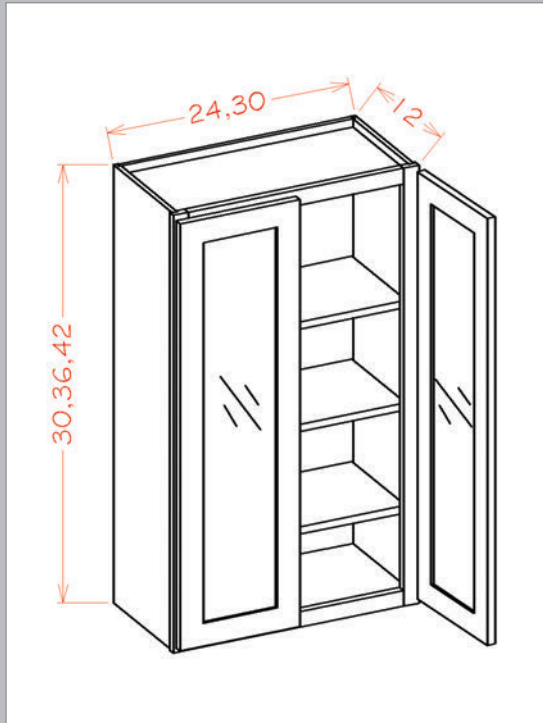


Model	Description	Width	Height	Depth
W1530GD	Cabinet Dimension	15	30	12
	Door Dimension	14 <sup>1</sup> / <sub>2</sub>	29	<sup>3</sup> / <sub>4</sub>
W1536GD	Cabinet Dimension	15	36	12
	Door Dimension	14 <sup>1</sup> / <sub>2</sub>	35	<sup>3</sup> / <sub>4</sub>
W1542GD	Cabinet Dimension	15	42	12
	Door Dimension	14 <sup>1</sup> / <sub>2</sub>	41	<sup>3</sup> / <sub>4</sub>

- These cabinets do not come with mullions or glass
- The interior is painted/stained to match the exterior

## PRODUCT SPECIFICATIONS - Wall Cabinets

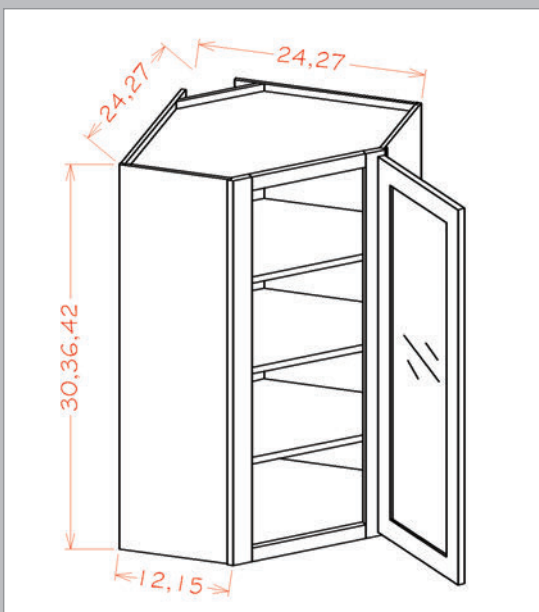
### Glass Door Wall Cabinets - Double Door



Model	Description	Width	Height	Depth
W2430GD	Cabinet Dimension	24	30	12
	Door Dimension	11 3/4	29	3/4
W2436GD	Cabinet Dimension	24	36	12
	Door Dimension	11 3/4	35	3/4
W2442GD	Cabinet Dimension	24	42	12
	Door Dimension	11 3/4	41	3/4
W3030GD	Cabinet Dimension	30	30	12
	Door Dimension	14 3/4	29	3/4
W3036GD	Cabinet Dimension	30	36	12
	Door Dimension	14 3/4	35	3/4
W3042GD	Cabinet Dimension	30	42	12
	Door Dimension	14 3/4	41	3/4

- These cabinets do not come with mullions or glass
- The interior is painted/stained to match the exterior

### Glass Door Diagonal Wall Cabinet



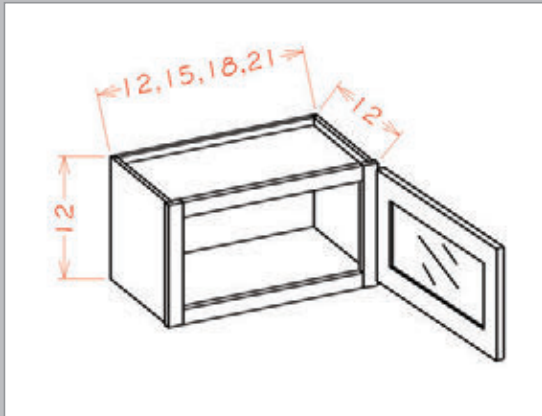
Model	Description	Width	Height	Depth
DCW2430GD	Cabinet Dimension	24	30	12
	Door Dimension	15 1/4	29	3/4
DCW2436GD	Cabinet Dimension	24	36	12
	Door Dimension	15 1/4	35	3/4
DCW2442GD	Cabinet Dimension	24	42	12
	Door Dimension	15 1/4	41	3/4
DCW2736GD	Cabinet Dimension	27	36	15
	Door Dimension	15 1/4	35	3/4
DCW2742GD	Cabinet Dimension	27	42	15
	Door Dimension	15 1/4	41	3/4

- These cabinets do not come with mullions or glass
- The interior is painted/stained to match the exterior
- DCW Inside Openings are 12 1/8" Wide

HIGHLAND SKUS & AVAILABILITY

## PRODUCT SPECIFICATIONS - Wall Cabinets

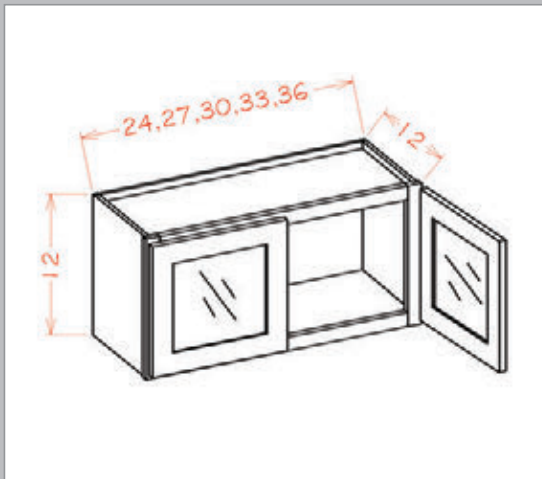
### Glass Door Wall Stacker Cabinets 12" H - Single Door



Model	Description	Width	Height	Depth
W1212GD	Cabinet Dimension	12	12	12
	Door Dimension	11 1/2	11	3/4
W1512GD	Cabinet Dimension	15	12	12
	Door Dimension	14 1/2	11	3/4
W1812GD	Cabinet Dimension	18	12	12
	Door Dimension	17 1/2	11	3/4
W2112GD	Cabinet Dimension	21	12	12
	Door Dimension	20 1/2	11	3/4

- These cabinets do not come with mullions or glass
- The interior is painted/stained to match the exterior

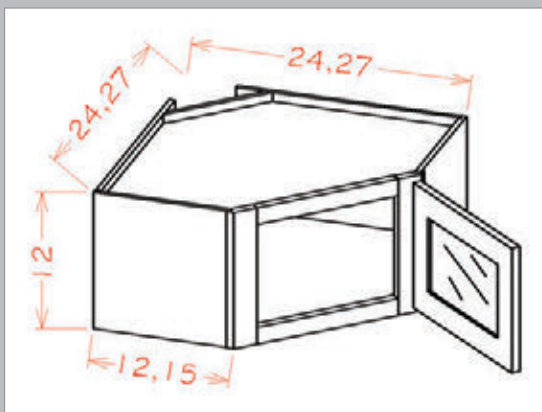
### Glass Door Wall Stacker Cabinets 12" H - Double Door



Model	Description	Width	Height	Depth
W2412GD	Cabinet Dimension	24	12	12
	Door Dimension	11 3/4	11	3/4
W2712GD	Cabinet Dimension	27	12	12
	Door Dimension	13 1/4	11	3/4
W3012GD	Cabinet Dimension	30	12	12
	Door Dimension	14 3/4	11	3/4
W3312GD	Cabinet Dimension	33	12	12
	Door Dimension	16 1/4	11	3/4
W3612GD	Cabinet Dimension	36	12	12
	Door Dimension	17 3/4	11	3/4

- These cabinets do not come with mullions or glass
- The interior is painted/stained to match the exterior

### Glass Door Diagonal Wall Stacker Cabinets 12" H

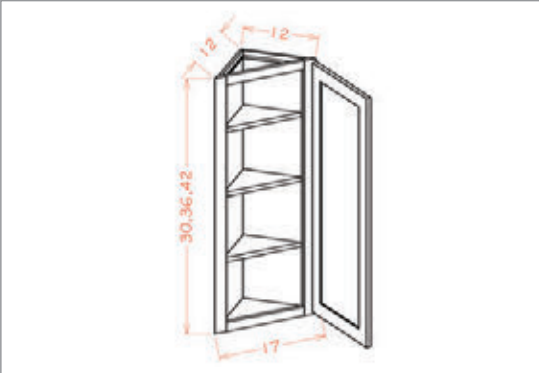


Model	Description	Width	Height	Depth
DCW2412GD	Cabinet Dimension	24	12	12
	Door Dimension	15 1/4	11	3/4
DCW2712GD	Cabinet Dimension	27	12	15
	Door Dimension	15 1/4	11	3/4

- These cabinets do not come with mullions or glass
- The interior is painted/stained to match the exterior

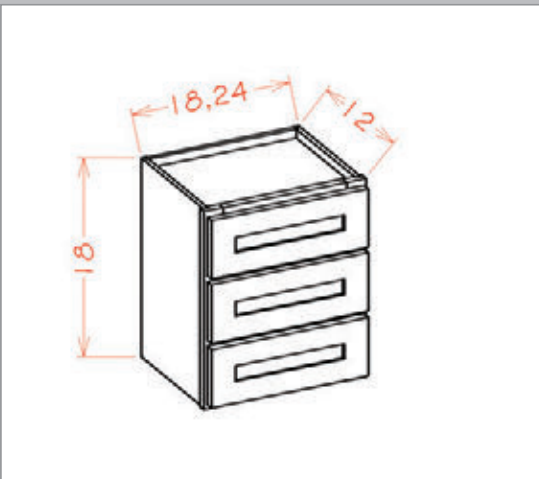
## PRODUCT SPECIFICATIONS - Wall Cabinets

### Wall Accessory Cabinets - Angle Wall Cabinets



Model	Description	Width	Height	Depth
AW1230	Cabinet Dimension	17	30	12
	Door Dimension	16 1/8	29	3/4
AW1236	Cabinet Dimension	17	36	12
	Door Dimension	16 1/8	35	3/4
AW1242	Cabinet Dimension	17	42	12
	Door Dimension	16 1/8	41	3/4

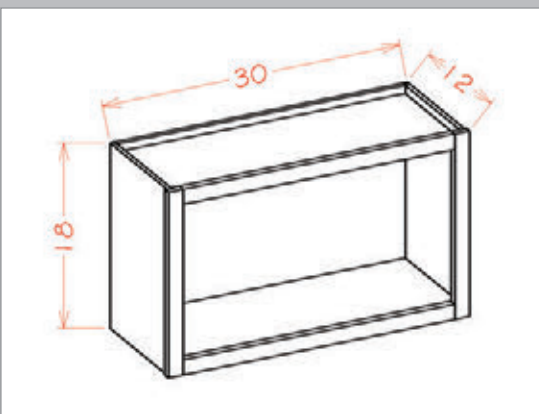
### Wall Accessory Cabinets - Three Drawer Wall Cabinets



Model	Description	Width	Height	Depth
W3D18	Cabinet Dimension	18	18	12
	Drawer Front	17 1/2	5 3/8	3/4
	Drawer Box	13 1/2	2	9 7/8
W3D24	Cabinet Dimension	21	18	12
	Drawer Front	23 1/2	5 3/8	3/4
	Drawer Box	19 1/2	2	9 7/8

• Three Drawer Wall Cabinets Not available in Shaker Espresso

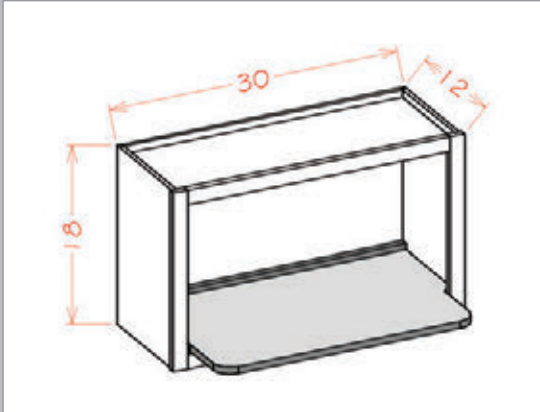
### Wall Accessory Cabinets - Wall Open Cabinet



Model	Description	Width	Height	Depth
WOC3018	Cabinet Dimension	30	18	12
	No Doors	N/A	N/A	N/A

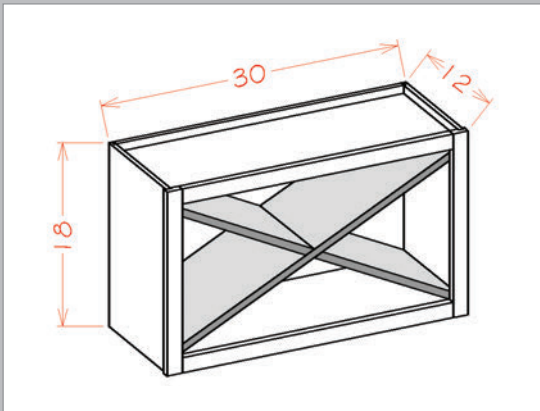
## PRODUCT SPECIFICATIONS - Wall Cabinets

### Wall Accessory Cabinets - Wall Open Cabinet Microwave Shelf Insert



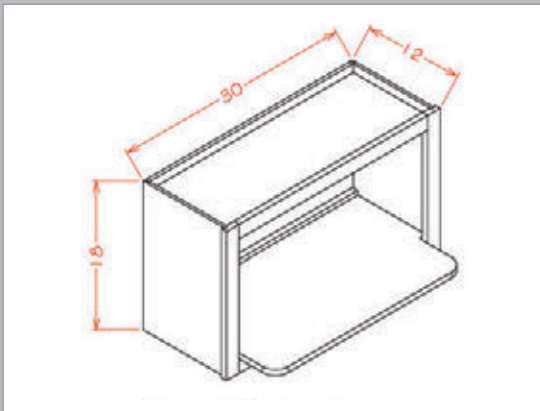
Model	Description	Width	Height	Depth
WMSHSELF	Installed Shelf Dimension	26 1/2	3/4	17

### Wall Accessory Cabinets - Wall Open Cabinet X Rack Insert



Model	Description	Width	Height	Depth
WXRSHSELF	Installed Shelf Dimension	26 1/2	14 1/2	11

### Wall Accessory Cabinets - Wall Open Cabinet Kits

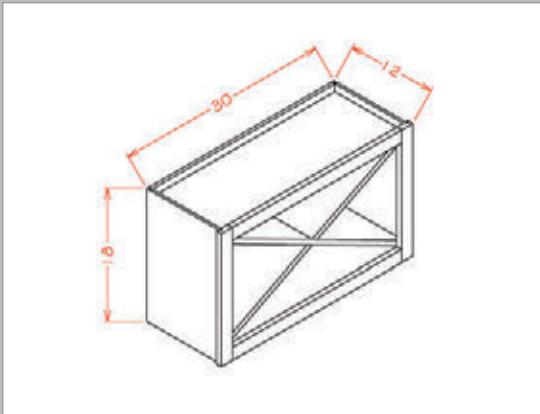


Model	Description	Width	Height	Depth
WMS3018	Cabinet Dimension	30	18	12
	Shelf Dimension	26 1/2	3/4	17



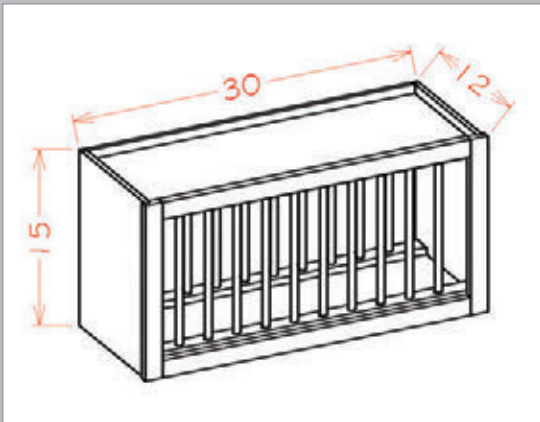
## PRODUCT SPECIFICATIONS - Wall Cabinets

### Wall Accessory Cabinets - Wall Open Cabinet Kits



Model	Description	Width	Height	Depth
WXR3018	Cabinet Dimension	30	18	12
	Shelf Dimension	26 1/2	14 1/2	11

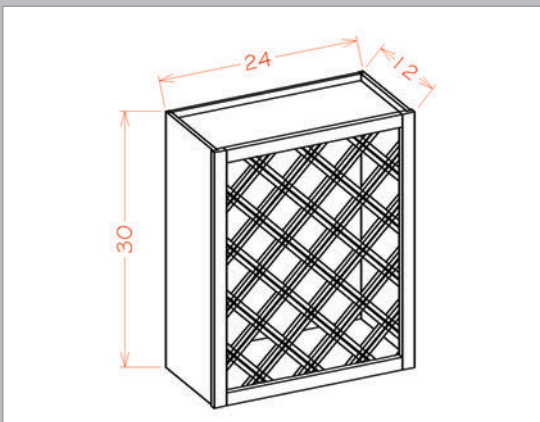
### Wall Accessory Cabinets - Plate Rack



Model	Description	Width	Height	Depth
PR3015	Cabinet Dimension	30	15	12

- Fits 11 Plates (11.5" in Diameter)

### Wall Accessory Cabinets - Wine Rack

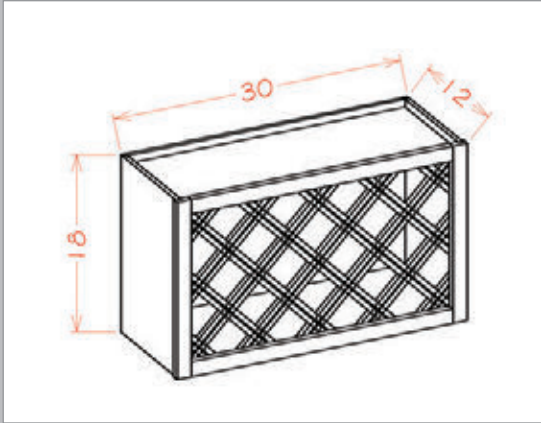


Model	Description	Width	Height	Depth
WRC2430	Cabinet Dimension	24	30	12

- Fits 17 Bottles
- For optimal functionality, insert rear lattice 1-1/2" from the back of the cabinet.

## PRODUCT SPECIFICATIONS - Wall Cabinets

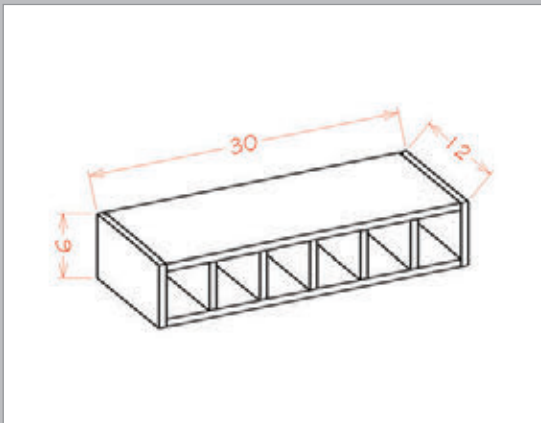
### Wall Accessory Cabinets - Wine Rack



Model	Description	Width	Height	Depth
WRC3018	Cabinet Dimension	30	18	12

- Fits 10 Bottles
- For optimal functionality, insert rear lattice 1-1/2" from the back of the cabinet.

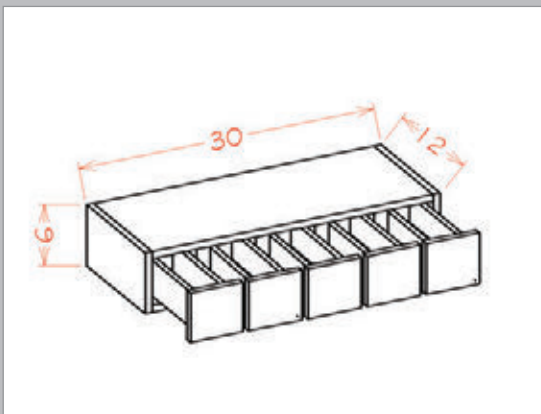
### Wall Accessory Cabinets - Wine Cubby



Model	Description	Width	Height	Depth
WWC630	Cabinet Dimension	30	6	12

- Fits 6 Bottles
- Not available in Shaker Espresso

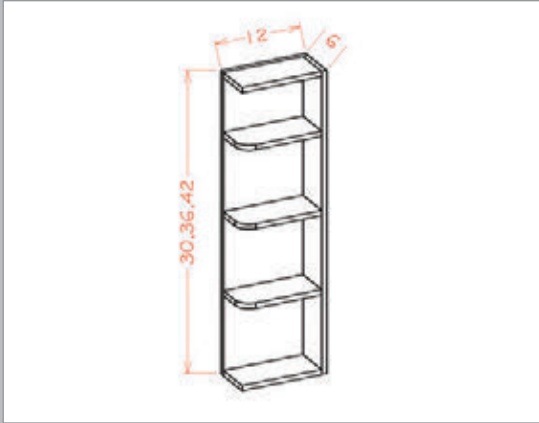
### Wall Accessory Cabinets - Wall Spice Drawer



Model	Description	Width	Height	Depth
WSD630	Cabinet Dimension	30	6	12
	Drawer Front	5 1/2	5	3/4
	Drawer Box	4 1/2	4 1/8	11 1/4

## PRODUCT SPECIFICATIONS - Wall Cabinets

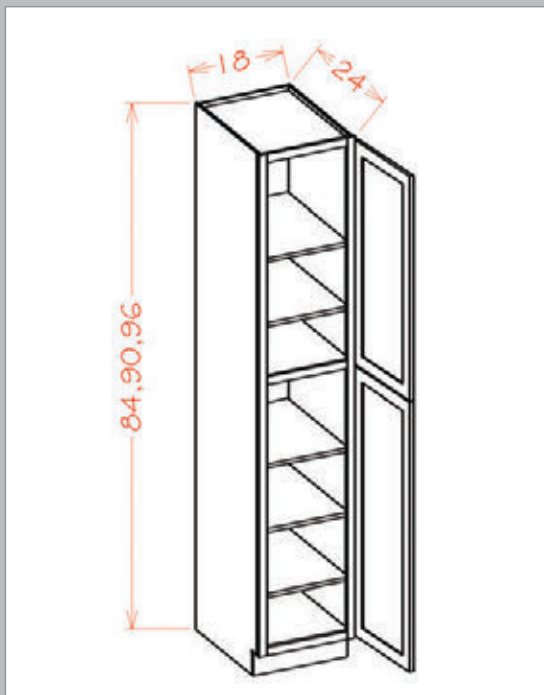
### Wall Accessory Cabinets - Open Ended Shelves



Model	Description	Width	Height	Depth
OE0630	Cabinet Dimension	6	30	12
OE0636	Cabinet Dimension	6	36	12
OE0642	Cabinet Dimension	6	42	12

## PRODUCT SPECIFICATIONS - Tall Cabinets

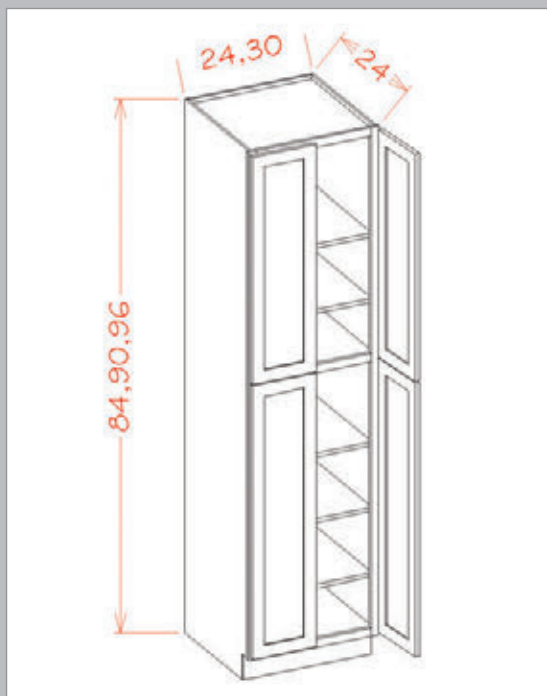
### Utility Cabinets - Two Doors



Model	Description	Width	Height	Depth
U188424	Cabinet Dimension	18	84	24
	Top Door Dimension	17 1/2	29	3/4
	Bottom Door Dimension	17 1/2	49 1/4	3/4
U189024	Cabinet Dimension	18	90	24
	Top Door Dimension	17 1/2	35	3/4
	Bottom Door Dimension	17 1/2	49 1/4	3/4
U189624	Cabinet Dimension	18	96	24
	Top Door Dimension	17 1/2	41	3/4
	Bottom Door Dimension	17 1/2	49 1/4	3/4

- Shaker, Torrance, & Sonora doors have a horizontal rail in the center of the bottom door.

### Utility Cabinets - Four Doors

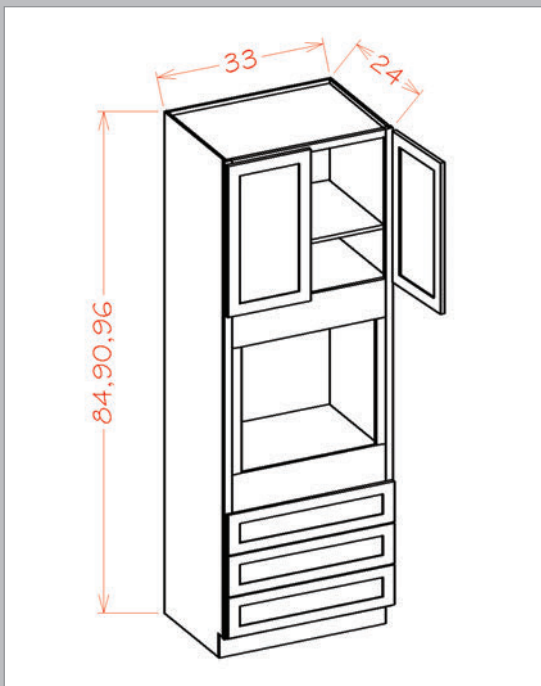


Model	Description	Width	Height	Depth
U248424	Cabinet Dimension	24	84	24
	Top Door Dimension	11 3/4	29	3/4
	Bottom Door Dimension	11 3/4	49 1/4	3/4
U249024	Cabinet Dimension	24	90	24
	Top Door Dimension	11 3/4	35	3/4
	Bottom Door Dimension	11 3/4	49 1/4	3/4
U249624	Cabinet Dimension	24	96	24
	Top Door Dimension	11 3/4	41	3/4
	Bottom Door Dimension	11 3/4	49 1/4	3/4
U309024	Cabinet Dimension	30	90	24
	Top Door Dimension	14 3/4	35	3/4
	Bottom Door Dimension	14 3/4	49 1/4	3/4
U309624	Cabinet Dimension	30	96	24
	Top Door Dimension	14 3/4	41	3/4
	Bottom Door Dimension	14 3/4	49 1/4	3/4

- Shaker, Torrance, & Sonora doors have a horizontal rail in the center of the bottom door.

## PRODUCT SPECIFICATIONS - Tall Cabinets

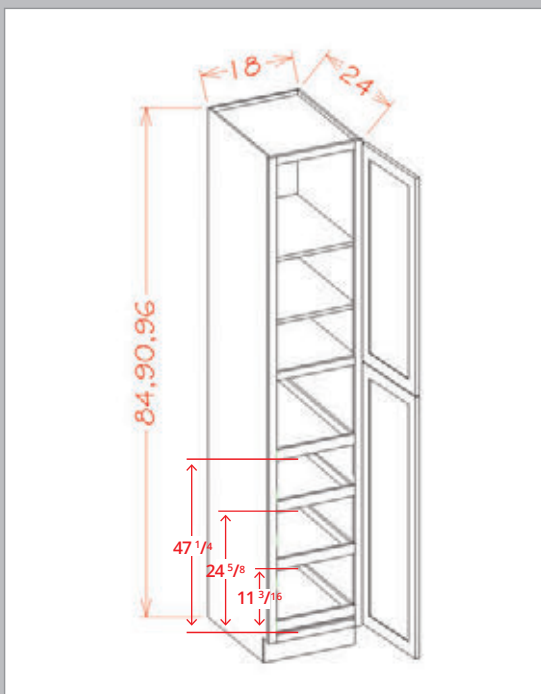
### Oven Cabinets



Model	Description	Width	Height	Depth
O338424	Cabinet Dimension	33	84	24
	Door Dimension	16 1/4	17	3/4
	Drawer Fronts	32 1/2	7 3/4	3/4
	Drawer Boxes	29	5 1/8	20 3/8
	Oven Opening	26 1/2	24 3/8	22 3/4
O339024	Cabinet Dimension	33	90	24
	Door Dimension	16 1/4	23	3/4
	Drawer Fronts	32 1/2	7 3/4	3/4
	Drawer Boxes	29	5 1/8	20 3/8
	Oven Opening	26 1/2	24 3/8	22 3/4
O339624	Cabinet Dimension	33	96	24
	Door Dimension	16 1/4	29	3/4
	Drawer Fronts	32 1/2	7 3/4	3/4
	Drawer Boxes	29	5 1/8	20 3/8
	Oven Opening	26 1/2	24 3/8	22 3/4

- Oven opening can be modified to accommodate a double oven
- Height up to 40" with removal of top drawers/cut down of top rails
- Width up to 31 1/2" wide with cut down of stiles

### Accessory Tall Cabinets - Two Door Utility, Four Rollout Shelf Cabinet Kit

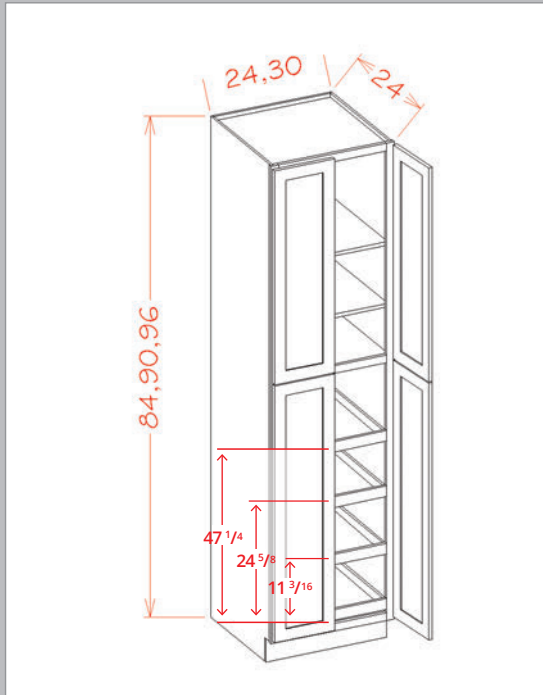


Model	Description	Width	Height	Depth
U1884244RS	Cabinet Dimension	18	84	24
	Top Door Dimension	17 1/2	29	3/4
	Bottom Door Dimension	17 1/2	49 1/4	3/4
U1890244RS	Cabinet Dimension	18	90	24
	Top Door Dimension	17 1/2	35	3/4
	Bottom Door Dimension	17 1/2	49 1/4	3/4
U1896244RS	Cabinet Dimension	18	96	24
	Top Door Dimension	17 1/2	41	3/4
	Bottom Door Dimension	17 1/2	49 1/4	3/4

- Shaker, Torrance, & Sonora doors have a horizontal rail in the center of the bottom door.
- See Page 72 for Rollout Shelf Dimensions

## PRODUCT SPECIFICATIONS - Tall Cabinets

### Accessory Tall Cabinets - Four Door Utility, Four Rollout Shelf Cabinet Kit

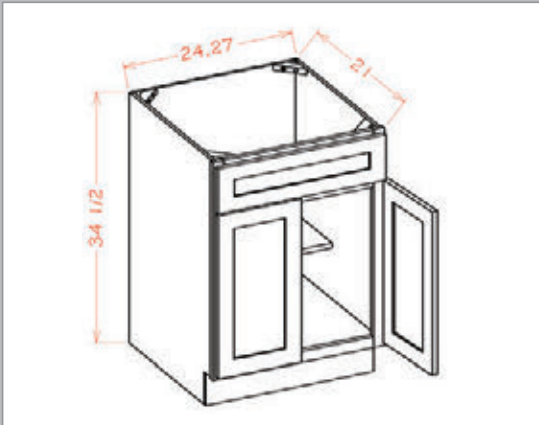


Model	Description	Width	Height	Depth
U2484244RS	Cabinet Dimension	24	84	24
	Top Door Dimension	11 <sup>3</sup> / <sub>4</sub>	29	<sup>3</sup> / <sub>4</sub>
	Bottom Door Dimension	11 <sup>3</sup> / <sub>4</sub>	49 <sup>1</sup> / <sub>4</sub>	<sup>3</sup> / <sub>4</sub>
U2490244RS	Cabinet Dimension	24	90	24
	Top Door Dimension	11 <sup>3</sup> / <sub>4</sub>	35	<sup>3</sup> / <sub>4</sub>
	Bottom Door Dimension	11 <sup>3</sup> / <sub>4</sub>	49 <sup>1</sup> / <sub>4</sub>	<sup>3</sup> / <sub>4</sub>
U2496244RS	Cabinet Dimension	24	96	24
	Top Door Dimension	11 <sup>3</sup> / <sub>4</sub>	41	<sup>3</sup> / <sub>4</sub>
	Bottom Door Dimension	11 <sup>3</sup> / <sub>4</sub>	49 <sup>1</sup> / <sub>4</sub>	<sup>3</sup> / <sub>4</sub>
U3090244RS	Cabinet Dimension	30	90	24
	Top Door Dimension	14 <sup>3</sup> / <sub>4</sub>	35	<sup>3</sup> / <sub>4</sub>
	Bottom Door Dimension	14 <sup>3</sup> / <sub>4</sub>	49 <sup>1</sup> / <sub>4</sub>	<sup>3</sup> / <sub>4</sub>
U3096244RS	Cabinet Dimension	30	96	24
	Top Door Dimension	14 <sup>3</sup> / <sub>4</sub>	41	<sup>3</sup> / <sub>4</sub>
	Bottom Door Dimension	14 <sup>3</sup> / <sub>4</sub>	49 <sup>1</sup> / <sub>4</sub>	<sup>3</sup> / <sub>4</sub>

- Shaker, Torrance, & Sonora doors have a horizontal rail in the center of the bottom door.
- See Page 72 for Rollout Shelf Dimensions

## PRODUCT SPECIFICATIONS - Vanities

### Vanity Sink Bases - Double Door Single Drawer Front



Model	Description	Width	Height	Depth
VS24	Cabinet Dimension	24	34 1/2	21
	Door Dimension	11 3/4	22 1/2	3/4
	Drawer Front	23 1/2	6 1/4	3/4
VS27	Cabinet Dimension	27	34 1/2	21
	Door Dimension	13 1/4	22 1/2	3/4
	Drawer Front	26 1/2	6 1/4	3/4

### Vanity Sink Bases - Double Door Double Drawer Front



Model	Description	Width	Height	Depth
VS30	Cabinet Dimension	30	34 1/2	21
	Door Dimension	14 3/4	22 1/2	3/4
	Drawer Front	14 3/4	6 1/4	3/4
VS36	Cabinet Dimension	36	34 1/2	21
	Door Dimension	17 3/4	22 1/2	3/4
	Drawer Front	17 3/4	6 1/4	3/4

### Vanity Drawer Bases



Model	Description	Width	Height	Depth
3VDB12	Cabinet Dimension	12	34 1/2	21
	Top Drawer Front	11 1/2	6 1/4	3/4
	Bottom Drawer Front	11 1/2	11 1/8	3/4
	Top Drawer Box	8	3 3/8	17 3/8
	Bottom Drawer Box	8	8 1/4	17 3/8
3VDB15	Cabinet Dimension	15	34 1/2	21
	Top Drawer Front	14 1/2	6 1/4	3/4
	Bottom Drawer Front	14 1/2	11 1/8	3/4
	Top Drawer Box	11	3 3/8	17 3/8
	Bottom Drawer Box	11	8 1/4	17 3/8

HIGHLAND SKUS & AVAILABILITY

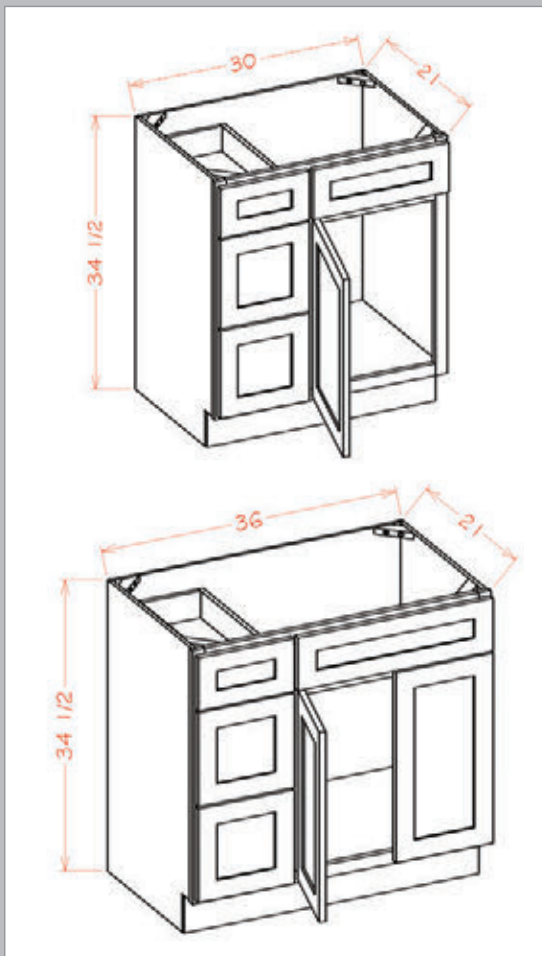
## PRODUCT SPECIFICATIONS - Vanities

### Vanity Drawer Bases - Continued



Model	Description	Width	Height	Depth
3VDB18	Cabinet Dimension	18	34 1/2	21
	Top Drawer Front	17 1/2	6 1/4	3/4
	Bottom Drawer Front	17 1/2	11 1/8	3/4
	Top Drawer Box	14	3 3/8	17 3/8
	Bottom Drawer Box	14	8 1/4	17 3/8

### Vanity Combo Bases - Drawers Left

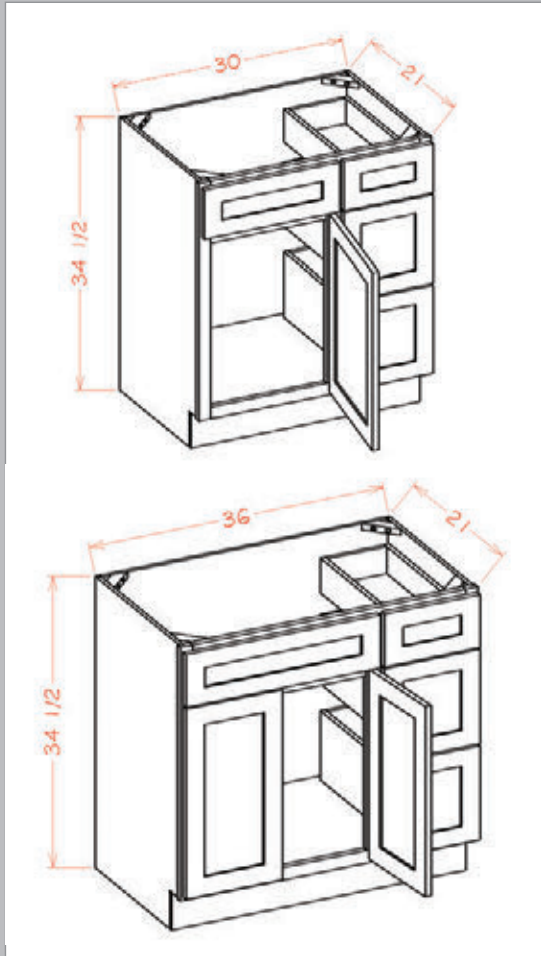


Model	Description	Width	Height	Depth
V3021DL	Cabinet Dimension	30	34 1/2	21
	Top Drawer Front	11 1/2	6 1/4	3/4
	Bottom Drawer Front	11 1/2	11 1/8	3/4
	Top Long Drawer Front	17 1/2	6 1/4	3/4
	Top Drawer Box	8	3 3/8	18
	Bottom Drawer Box	8	8 1/4	18
	Door Dimension	17 1/2	22 1/2	3/4
V3621DL	Cabinet Dimension	36	34 1/2	21
	Top Drawer Front	11 1/2	6 1/4	3/4
	Bottom Drawer Front	11 1/2	11 1/8	3/4
	Top Long Drawer Front	23 1/2	6 1/4	3/4
	Top Drawer Box	8	3 3/8	18
	Bottom Drawer Box	8	8 1/4	18
Door Dimension	11 3/4	22 1/2	3/4	



## PRODUCT SPECIFICATIONS - Vanities

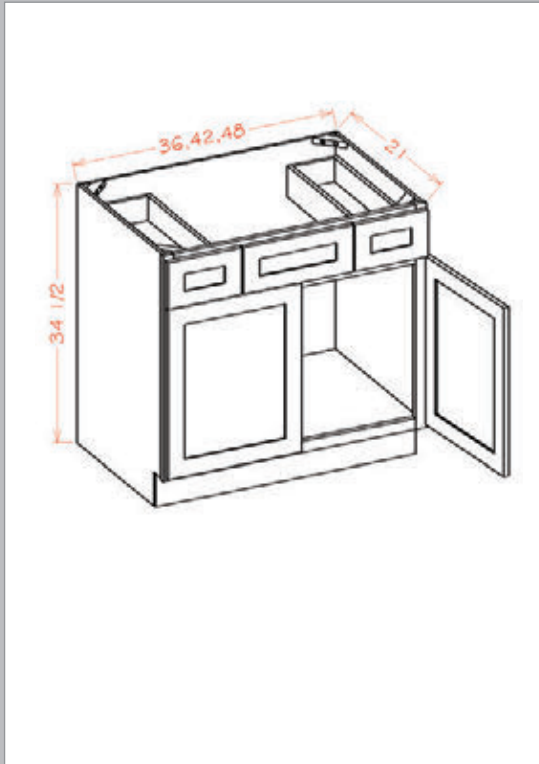
### Vanity Combo Bases - Drawers Right



Model	Description	Width	Height	Depth
V3021DR	Cabinet Dimension	30	34 1/2	21
	Top Drawer Front	11 1/2	6 1/4	3/4
	Bottom Drawer Front	11 1/2	11 1/8	3/4
	Top Long Drawer Front	17 1/2	6 1/4	3/4
	Top Drawer Box	8	3 3/8	18
	Bottom Drawer Box	8	8 1/4	18
	Door Dimension	17 1/2	22 1/2	3/4
V3621DR	Cabinet Dimension	36	34 1/2	21
	Top Drawer Front	11 1/2	6 1/4	3/4
	Bottom Drawer Front	11 1/2	11 1/8	3/4
	Top Long Drawer Front	23 1/2	6 1/4	3/4
	Top Drawer Box	8	3 3/8	18
	Bottom Drawer Box	8	8 1/4	18
	Door Dimension	11 3/4	22 1/2	3/4

## PRODUCT SPECIFICATIONS - Vanities

### Vanity Combo Bases



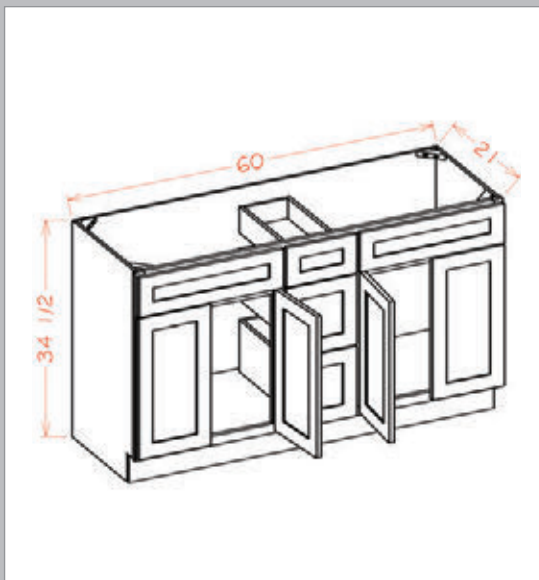
Model	Description	Width	Height	Depth
VSD36	Cabinet Dimension	36	34 1/2	21
	Door Dimension	17 3/4	22 1/2	3/4
	Outside Drawer Front	10 1/4	6 1/4	3/4
	Center Drawer Front	14 1/2	6 1/4	3/4
	Drawer Box	7 3/8	3 1/4	17 3/8
VSD42	Cabinet Dimension	42	34 1/2	21
	Door Dimension	20 3/4	22 1/2	3/4
	Outside Drawer Front	11 1/2	6 1/4	3/4
	Center Drawer Front	18	6 1/4	3/4
	Drawer Box	8 7/8	3 1/4	17 3/8
VSD48	Cabinet Dimension	48	34 1/2	21
	Door Dimension	23 3/4	22 1/2	3/4
	Outside Drawer Front	14 1/2	6 1/4	3/4
	Center Drawer Front	18	6 1/4	3/4
	Drawer Box	11 3/8	3 1/4	17 3/8

• Center Stile

• Center Stile

HIGHLAND SKUS & AVAILABILITY

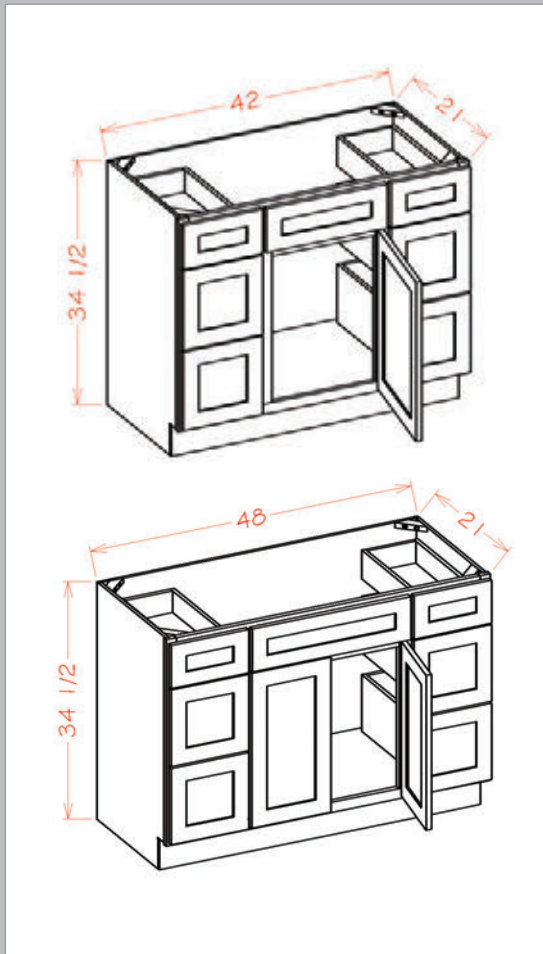
### Vanity Combo Bases - Double Sink



Model	Description	Width	Height	Depth
VSDB60	Cabinet Dimension	60	34 1/2	21
	Top Drawer Front	11 1/2	6 1/4	3/4
	Bottom Drawer Front	11 1/2	11 1/8	3/4
	Top Long Drawer Front	23 1/2	6 1/4	3/4
	Top Drawer Box	7 5/8	3 3/8	18
	Bottom Drawer Box	7 5/8	8 1/4	18
	Door Dimension	11 3/4	22 1/2	3/4

## PRODUCT SPECIFICATIONS - Vanities

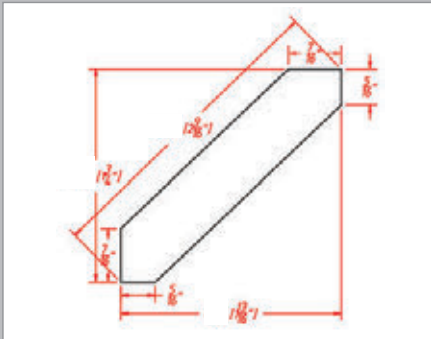
### Vanity Combo Bases - Double Drawer Stack



Model	Description	Width	Height	Depth
VDDDB42	Cabinet Dimension	42	34 1/2	21
	Top Drawer Front	11 1/2	6 1/4	3/4
	Bottom Drawer Front	11 1/2	11 1/8	3/4
	Top Long Drawer Front	17 5/8	6 1/4	3/4
	Top Drawer Box	8 1/2	3 3/8	18
	Bottom Drawer Box	8 1/2	8 1/4	18
	Door Dimension	17 5/8	22 1/2	3/4
VDDDB48	Cabinet Dimension	48	34 1/2	21
	Top Drawer Front	11 1/2	6 1/4	3/4
	Bottom Drawer Front	11 1/2	11 1/8	3/4
	Top Long Drawer Front	23 5/8	6 1/4	3/4
	Top Drawer Box	8 1/2	3 3/8	18
	Bottom Drawer Box	8 1/2	8 1/4	18
	Door Dimension	11 3/4	22 1/2	3/4
VDDDB60	Cabinet Dimension	60	34 1/2	21
	Top Drawer Front	14 1/2	6 1/4	3/4
	Bottom Drawer Front	14 1/2	11 1/8	3/4
	Top Long Drawer Front	29 5/8	6 1/4	3/4
	Top Drawer Box	11 1/2	3 3/8	18
	Bottom Drawer Box	11 1/2	8 1/4	18
	Door Dimension	14 3/4	22 1/2	3/4

## PRODUCT SPECIFICATIONS - Mouldings

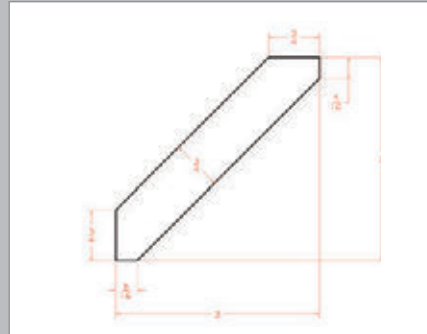
### Crown Moulding - ACM8



- Not available in Casselberry or York Styles

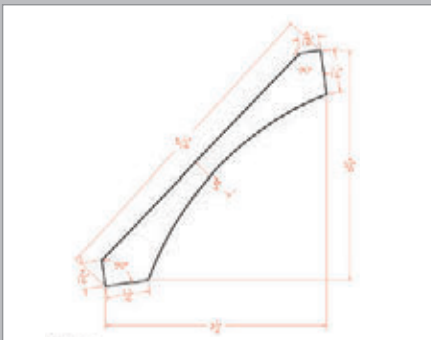
Model	Description	Width	Height	Depth
ACM8	Dimension	96	1 3/4	1 3/4

### Mouldings - LACM8



Model	Description	Width	Height	Depth
LACM8	Dimension	96	3	3

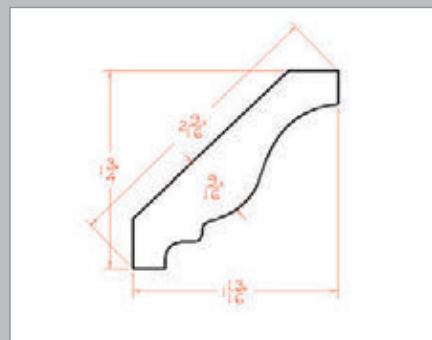
### Crown Moulding - COV



- Not available in Casselberry Styles

Model	Description	Width	Height	Depth
COV	Dimension	96	3 5/8	3 1/2

### Crown Moulding - CM8



- Not available in Shaker or Torrance Styles

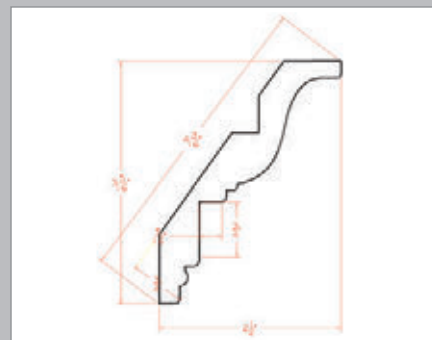
Model	Description	Width	Height	Depth
CM8	Dimension	96	1 3/4	1 3/16

### Crown Moulding - DCM



Model	Description	Width	Height	Depth
DCM	Dimension	96	3	2

### Crown Moulding - ICM

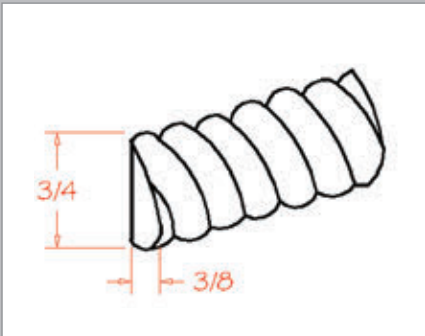


- Not available in Shaker or Torrance Styles

Model	Description	Width	Height	Depth
ICM	Dimension	96	3 5/16	2 1/2

## PRODUCT SPECIFICATIONS - Mouldings

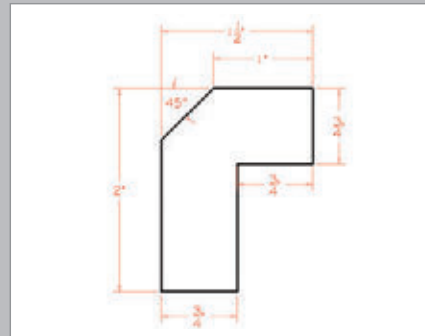
### Mouldings - ROPE



- Not available in Shaker or Torrance Styles

Model	Description	Width	Height	Depth
ROPE	Dimension	96	3/4	3/8

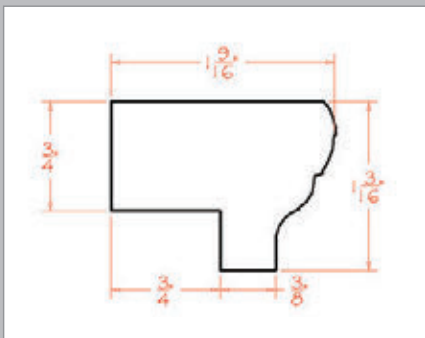
### Mouldings - ALRM



- Not available in Casselberry or York Styles

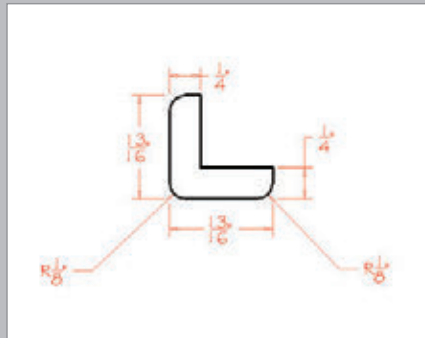
Model	Description	Width	Height	Depth
ALRM	Dimension	96	1	2

### Mouldings - LRM



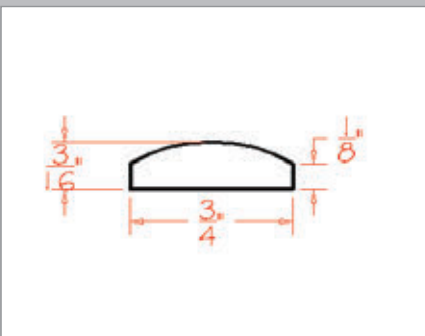
Model	Description	Width	Height	Depth
LRM	Dimension	96	1 3/16	3/4

### Mouldings - OCM



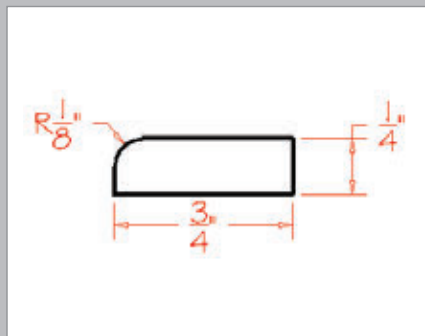
Model	Description	Width	Height	Depth
OCM	Dimension	96	3/4	1/4

### Mouldings - BAM



Model	Description	Width	Height	Depth
BAM	Dimension	96	3/16	3/16

### Mouldings - SCR

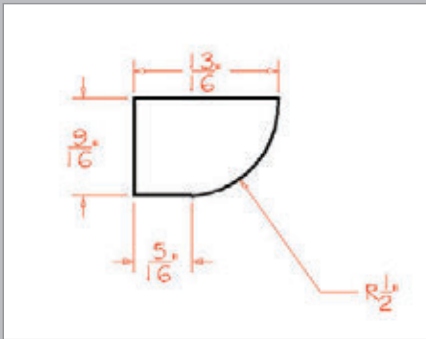


Model	Description	Width	Height	Depth
SCR	Dimension	96	3/4	1/4

HIGHLAND SKUS & AVAILABILITY

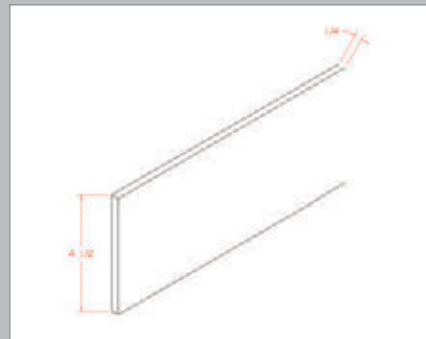
## PRODUCT SPECIFICATIONS - Mouldings

### Mouldings - SHM



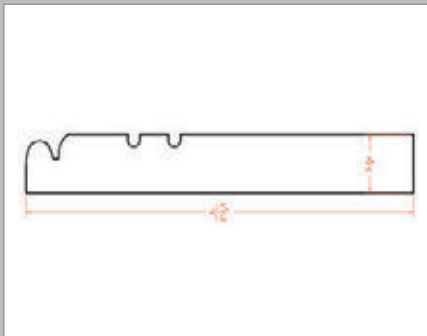
Model	Description	Width	Height	Depth
SHM	Dimension	96	3/4	1/2

### Mouldings - TKC



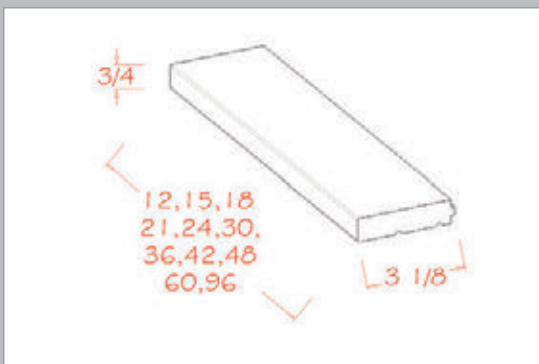
Model	Description	Width	Height	Depth
TKC	Dimension	96	4 1/2	1/4

### Mouldings - FBM



Model	Description	Width	Height	Depth
FBM	Dimension	96	4 15/16	3/4

### Toe Kick Apron Support - TAS

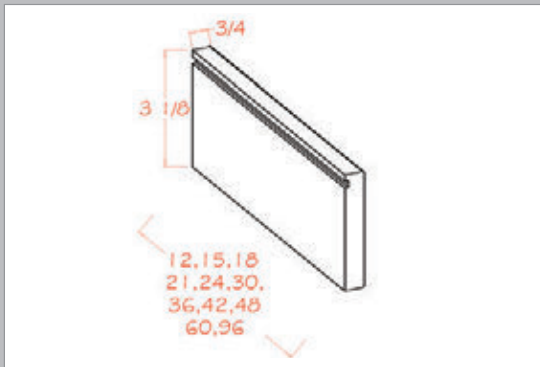


- Finished on all sides and edges

Model	Description	Width	Height	Depth
TAS12	Dimension	12	3/4	3 1/8
TAS15	Dimension	15	3/4	3 1/8
TAS18	Dimension	18	3/4	3 1/8
TAS21	Dimension	21	3/4	3 1/8
TAS24	Dimension	24	3/4	3 1/8
TAS30	Dimension	30	3/4	3 1/8
TAS36	Dimension	36	3/4	3 1/8
TAS42	Dimension	42	3/4	3 1/8
TAS48	Dimension	48	3/4	3 1/8
TAS60	Dimension	60	3/4	3 1/8
TAS96	Dimension	96	3/4	3 1/8

## PRODUCT SPECIFICATIONS - Mouldings

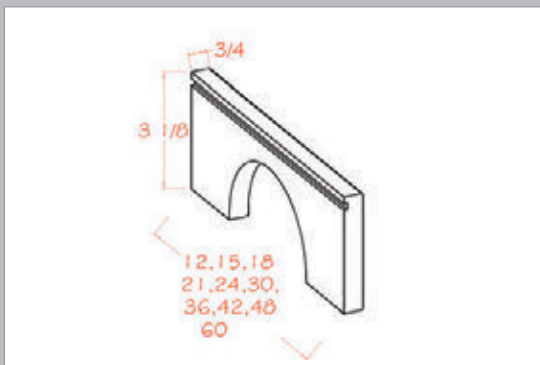
### Toe Kick Apron Moulding - TAM



- Finished on all sides and edges
- Must be used with Toe Kick Apron Support (TAS)

Model	Description	Width	Height	Depth
TAM12	Dimension	12	3 1/8	3/4
TAM15	Dimension	15	3 1/8	3/4
TAM18	Dimension	18	3 1/8	3/4
TAM21	Dimension	21	3 1/8	3/4
TAM24	Dimension	24	3 1/8	3/4
TAM30	Dimension	30	3 1/8	3/4
TAM36	Dimension	36	3 1/8	3/4
TAM42	Dimension	42	3 1/8	3/4
TAM48	Dimension	48	3 1/8	3/4
TAM60	Dimension	60	3 1/8	3/4
TAM96	Dimension	96	3 1/8	3/4

### Toe Kick Arched Apron Moulding - TAA

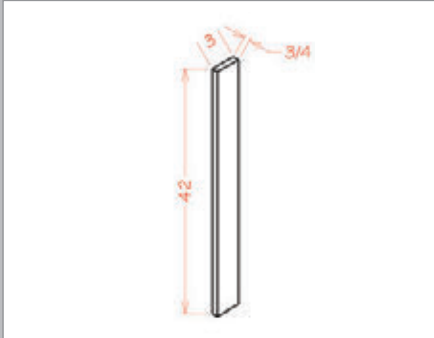


- Finished on all sides and edges
- Must be used with Toe Kick Apron Support (TAS)
- Trimmable up to 1 1/2"

Model	Description	Width	Height	Depth
TAA12	Dimension	12	3 1/8	3/4
TAA15	Dimension	15	3 1/8	3/4
TAA18	Dimension	18	3 1/8	3/4
TAA21	Dimension	21	3 1/8	3/4
TAA24	Dimension	24	3 1/8	3/4
TAA30	Dimension	30	3 1/8	3/4
TAA36	Dimension	36	3 1/8	3/4
TAA42	Dimension	42	3 1/8	3/4
TAA48	Dimension	48	3 1/8	3/4
TAA60	Dimension	60	3 1/8	3/4

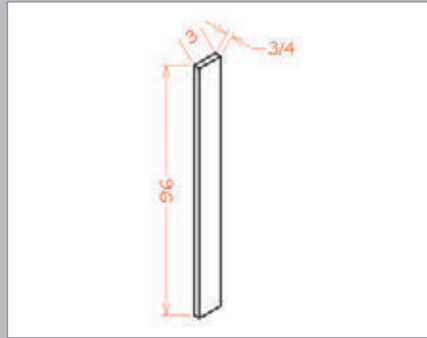
## PRODUCT SPECIFICATIONS - Fillers & Panels

### Fillers - F342



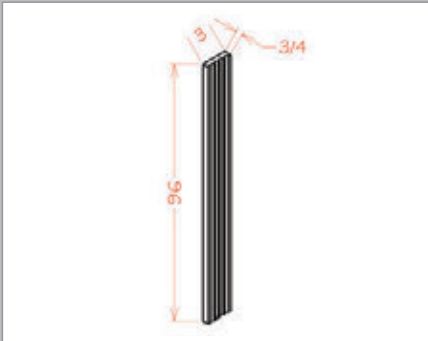
Model	Description	Width	Height	Depth
F342	Dimension	3	42	3/4

### Fillers - F396



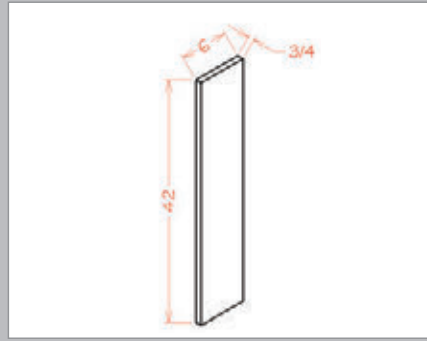
Model	Description	Width	Height	Depth
F396	Dimension	3	96	3/4

### Fillers - FF396



Model	Description	Width	Height	Depth
FF396	Dimension	3	96	3/4

### Fillers - F642



Model	Description	Width	Height	Depth
F642	Dimension	6	42	3/4

### Fillers - F696

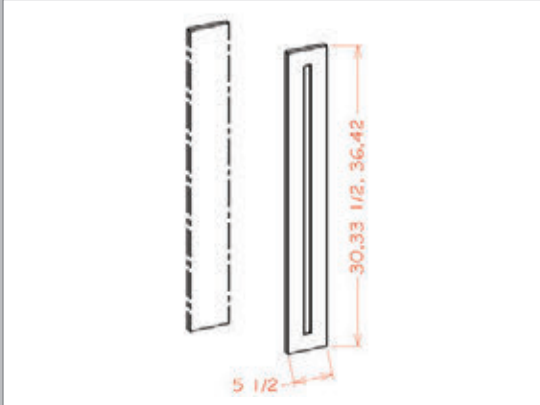


Model	Description	Width	Height	Depth
F696	Dimension	6	96	3/4



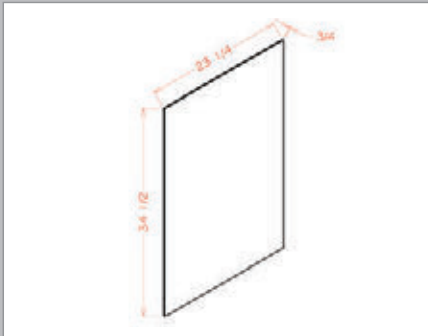
## PRODUCT SPECIFICATIONS - Fillers & Panels

### Filler Overlays – FOL / BFOL



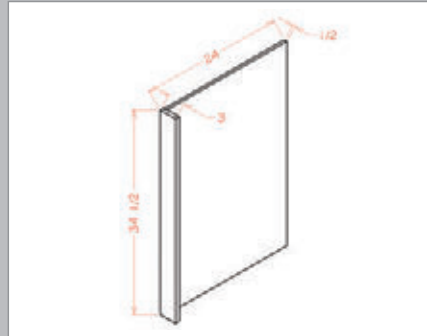
Model	Description	Width	Height	Depth
FOL630	Dimension	5 1/2	29	3/4
FOL636	Dimension	5 1/2	35	3/4
FOL642	Dimension	5 1/2	41	3/4
BFOL634	Dimension	5 1/2	33 1/2	3/4

### Panels - BSV



- Only finished on one side

### Panels - DWR3

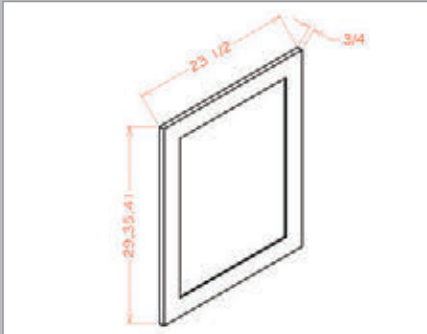


Model	Description	Width	Height	Depth
BSV	Dimension	23 1/4	34 1/2	1/4

Model	Description	Width	Height	Depth
DWR3	Dimension	3	34 1/2	24

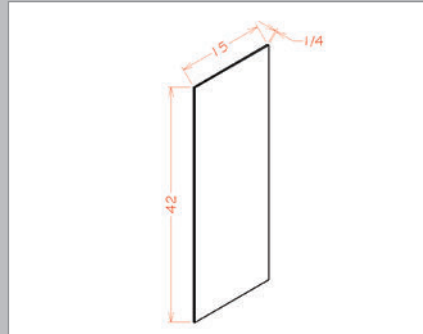
## PRODUCT SPECIFICATIONS - Fillers & Panels

### Panels - BDEP



Model	Description	Width	Height	Depth
BDEP	Dimension	23 1/2	29	3/4

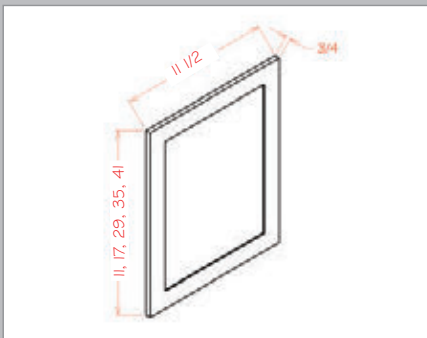
### Panels - WSV42



- Only finished on one side

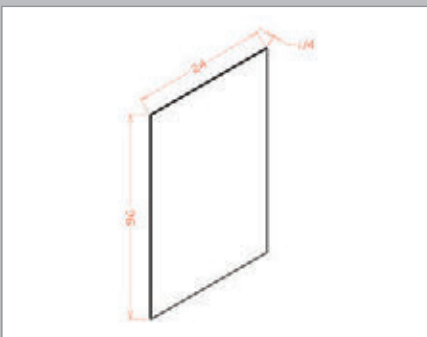
Model	Description	Width	Height	Depth
WSV42	Dimension	15	42	1/4

### Panels - WDEP



Model	Description	Width	Height	Depth
WDEP1212	Dimension	11 1/2	11	3/4
WDEP1218	Dimension	11 1/2	17	3/4
WDEP30	Dimension	11 1/2	29	3/4
WDEP36	Dimension	11 1/2	35	3/4
WDEP42	Dimension	11 1/2	41	3/4

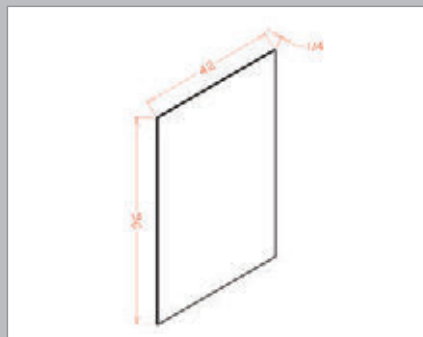
### Panels - USV2496



- Only finished on one side

Model	Description	Width	Height	Depth
USV2496	Dimension	24	96	1/4

### Panels - FPV4296

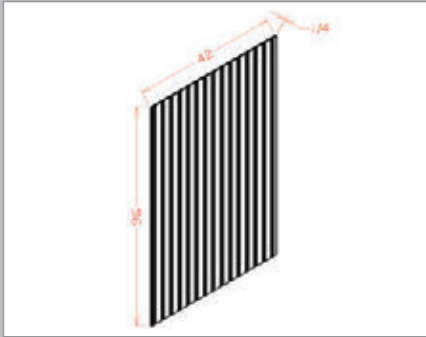


- Grain runs long way
- Only finished on one side

Model	Description	Width	Height	Depth
FPV4296	Dimension	42	96	1/4

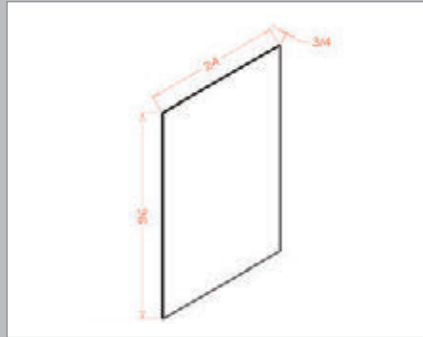
## PRODUCT SPECIFICATIONS - Fillers & Panels

### Panels - BBFPV4296



Model	Description	Width	Height	Depth
BBFPV4296	Dimension	42	96	1/4

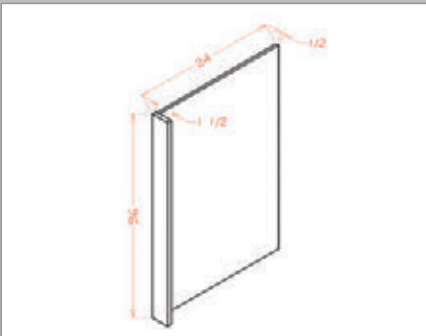
### Panels - S2496



- One long edge banded to match
- Finished on both sides

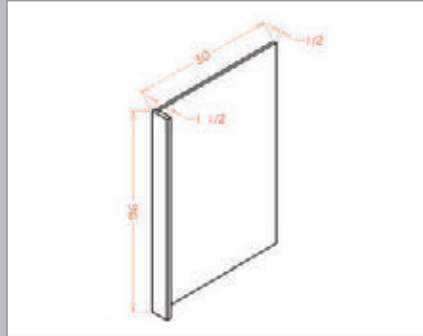
Model	Description	Width	Height	Depth
S2496	Dimension	24	96	3/4

### Panels - REPV2496



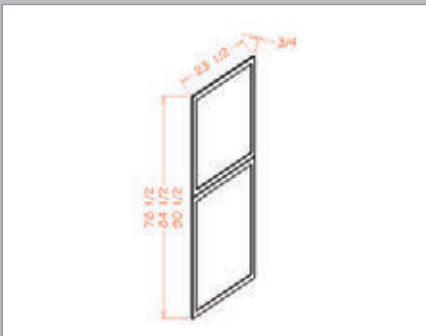
Model	Description	Width	Height	Depth
REPV2496	Dimension	1 1/2	96	24

### Panels - REPV3096



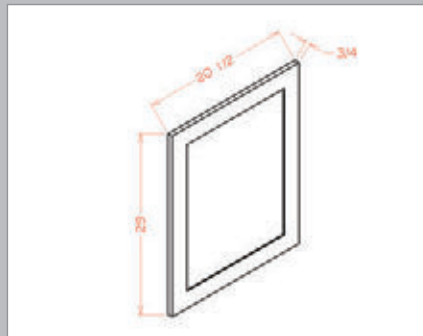
Model	Description	Width	Height	Depth
REPV3096	Dimension	1 1/2	96	30

### Panels - TDEP



Model	Description	Width	Height	Depth
TDEP2484	Dimension	23 1/2	78 1/2	3/4
TDEP2490	Dimension	23 1/2	84 1/2	3/4
TDEP2496	Dimension	23 1/2	90 1/2	3/4

### Panels - VDEP

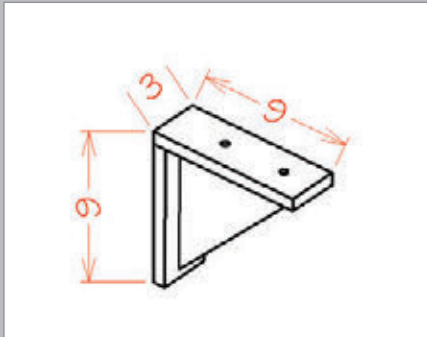


Model	Description	Width	Height	Depth
VDEP	Dimension	20 1/2	29	3/4

\*See pages 74 & 75 for opening dimensions

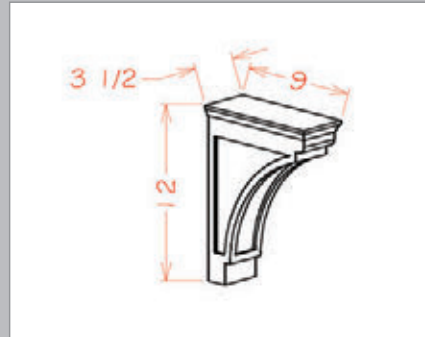
## PRODUCT SPECIFICATIONS - Accessories

### Corbels - CB9



Model	Description	Width	Height	Depth
CB9	Dimension	3	9	9

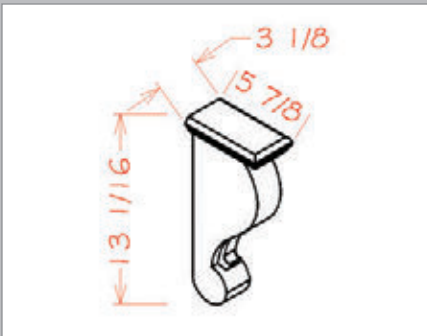
### Corbels - MCB



• Not available in Shaker Espresso

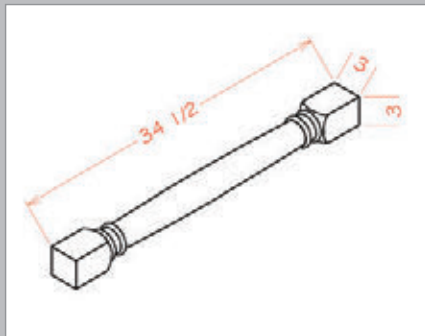
Model	Description	Width	Height	Depth
MCB	Dimension	3 1/2	12	9

### Corbels - CBT



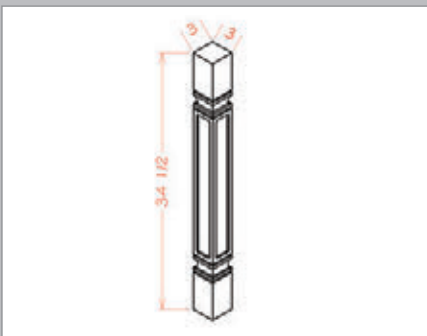
Model	Description	Width	Height	Depth
CBT	Dimension	3 1/8	13 1/16	5 7/8

### Decorative Legs - Classic Decorative Leg



Model	Description	Width	Height	Depth
CLDL	Dimension	3	34 1/2	3

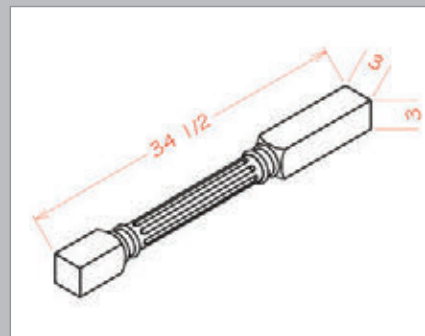
### Decorative Legs - Square Decorative Leg



• Not available in Shaker Espresso

Model	Description	Width	Height	Depth
SQDL	Dimension	3	34 1/2	3

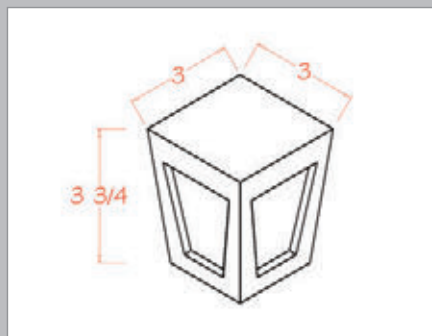
### Decorative Legs - Fluted Decorative Leg



Model	Description	Width	Height	Depth
FLDL	Dimension	3	34 1/2	3

## PRODUCT SPECIFICATIONS - Accessories

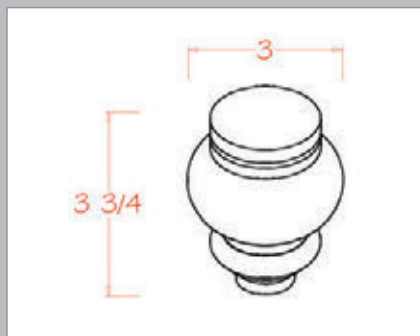
### Bun Feet - Taper Foot



- Must be used with Toe Kick Apron Support (TAS)
- Not available in Shaker Espresso

Model	Description	Width	Height	Depth
TF4	Dimension	3	3 3/4	3

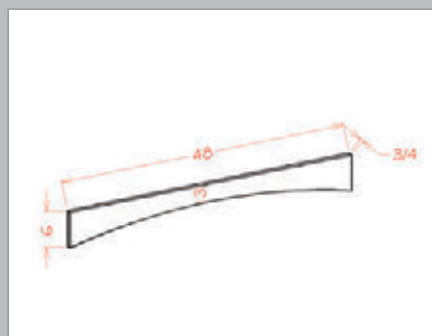
### Bun Feet - Circle Foot



- Must be used with Toe Kick Apron Support (TAS)
- Not available in Shaker Espresso

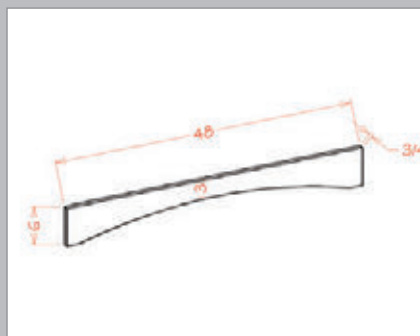
Model	Description	Width	Height	Depth
CF4	Dimension	3	3 3/4	3

### Valances



Model	Description	Width	Height	Depth
VA48	Dimension	48	6	3/4

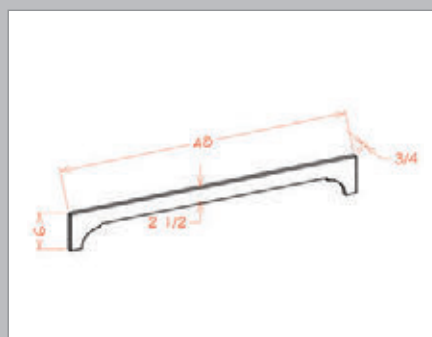
### Valances - Shaker Valance



- Trimmable on each side by 1 1/4"
- Finished on both sides and two long edges
- Not available in Shaker Espresso

Model	Description	Width	Height	Depth
VASH48	Dimension	48	6	3/4

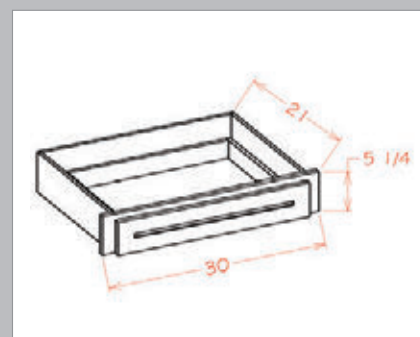
### Valances - Crown Valance



- Trimmable on each side by 1 1/4"
- Finished on both sides and two long edges
- Not available in Shaker Espresso

Model	Description	Width	Height	Depth
VACR48	Dimension	48	6	3/4

### Desk Knee Drawer

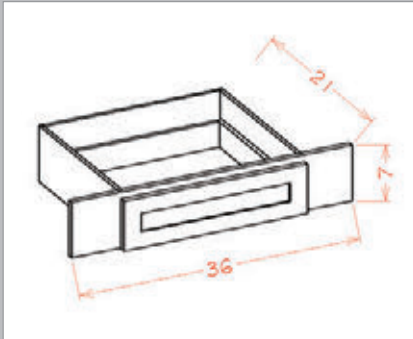


- Trimmable to 27" wide
- Not available in Shaker Espresso

Model	Description	Width	Height	Depth
DKD30	Cabinet Dimension	30	5 1/4	21
	Drawer Front	26	4 3/4	3/4
	Drawer Box	23	3 1/4	17 3/8

## PRODUCT SPECIFICATIONS - Accessories

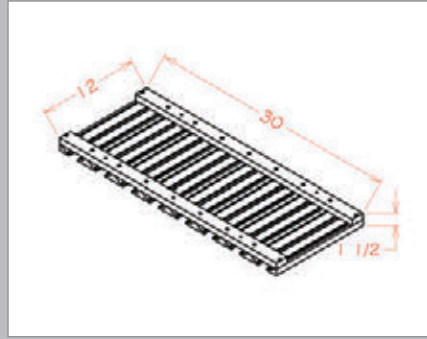
### Vanity Knee Drawer



• Trimmable to 27" wide

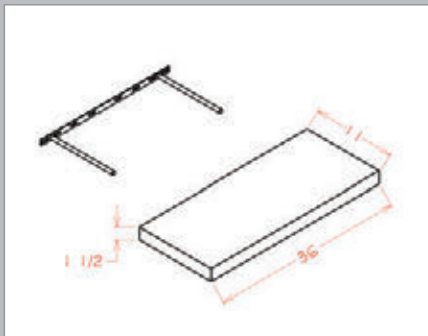
Model	Description	Width	Height	Depth
VKD36	Cabinet Dimension	36	7	21
	Drawer Front	23 1/2	6 1/4	3/4
	Drawer Box	19 3/4	3 3/8	17 3/8

### Stem Glass Holder



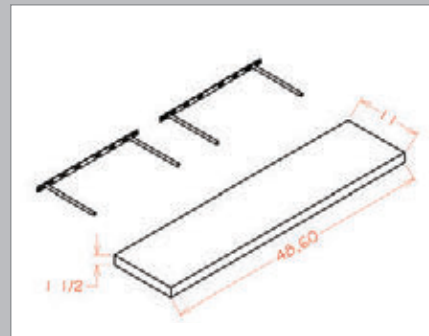
Model	Description	Width	Height	Depth
SGH30	Dimension	30	1 1/2	12

### Accessories - Floating Shelf



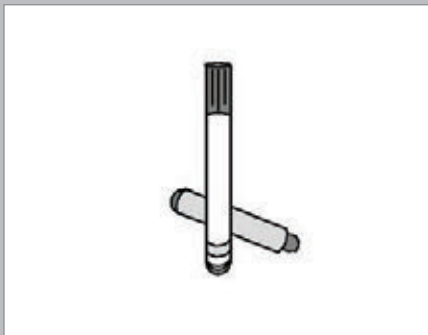
Model	Description	Width	Height	Depth
FS36	Dimension	36	1 1/2	11

### Accessories - Floating Shelf



Model	Description	Width	Height	Depth
FS48	Dimension	48	1 1/2	11
FS60	Dimension	60	1 1/2	11

### Touch Up Kit - TUK



## PRODUCT SPECIFICATIONS - Accessories

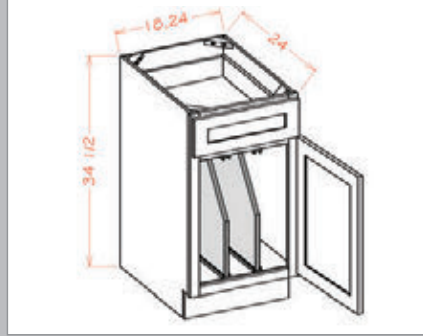
### Accessories - Base Tray Divider



- Comes with one divider

Model	Description	Width	Height	Depth
B12TDKIT	Dimension	3/4	21	22 1/2
B15TDKIT	Dimension	3/4	21	22 1/2

### Accessories - Base Tray Dividers

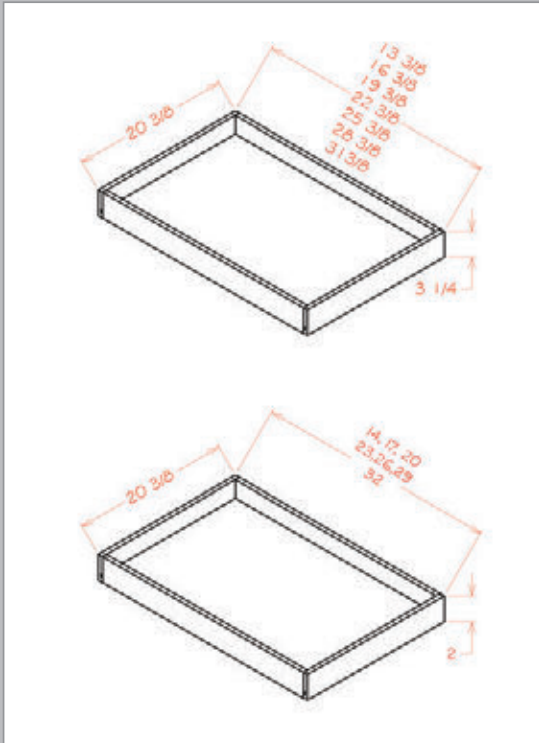


- Comes with two dividers

Model	Description	Width	Height	Depth
B18TDKIT	Dimension	3/4	21	22 1/2

## PRODUCT SPECIFICATIONS - Roll Outs

### Roll Out Shelves



• Side mounted with no soft close

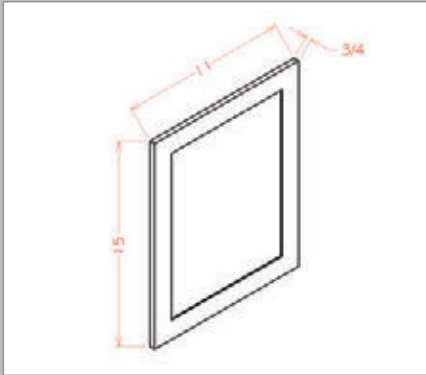
Model	Description	Width	Height	Depth
RS18 - Type A	Dimension	13 3/8	3 3/8	20 7/16
RS18 - Type B	Dimension	14	2	20 7/16
RS21 - Type A	Dimension	16 3/8	3 3/8	20 7/16
RS21 - Type B	Dimension	17	2	20 7/16
RS24 - Type A	Dimension	19 1/2	3 3/8	20 7/16
RS24 - Type B	Dimension	20	2	20 7/16
RS27 - Type A	Dimension	22 1/2	3 3/8	20 7/16
RS27 - Type B	Dimension	23	2	20 7/16
RS30 - Type A	Dimension	25 3/8	3 3/8	20 7/16
RS30 - Type B	Dimension	26	2	20 7/16
RS33 - Type A	Dimension	28 3/8	3 3/8	20 7/16
RS33 - Type B	Dimension	29	2	20 7/16
RS36 - Type A	Dimension	31 3/8	3 3/8	20 7/16
RS36 - Type B	Dimension	32	2	20 7/16

- Type A Roll Out Shelves Not available in SE
- Type B Roll Out Shelves Not available in CW, CS, YW, YC, SW, SG, SA, SD, SC, TW, TD



## PRODUCT SPECIFICATIONS - Sample Door

Sample Door - SD



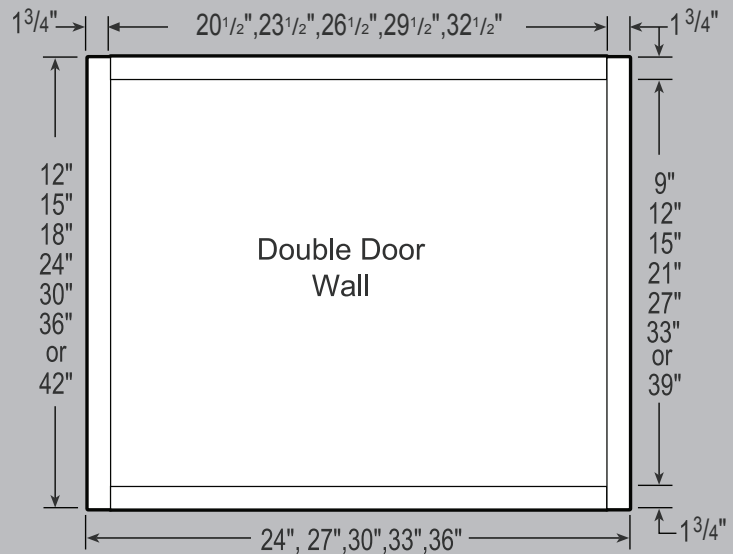
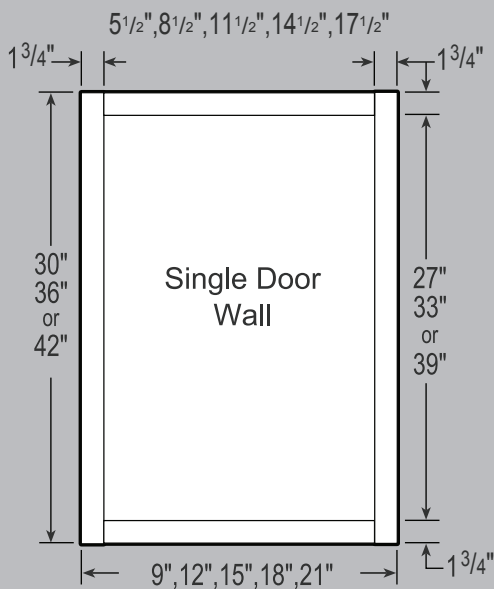
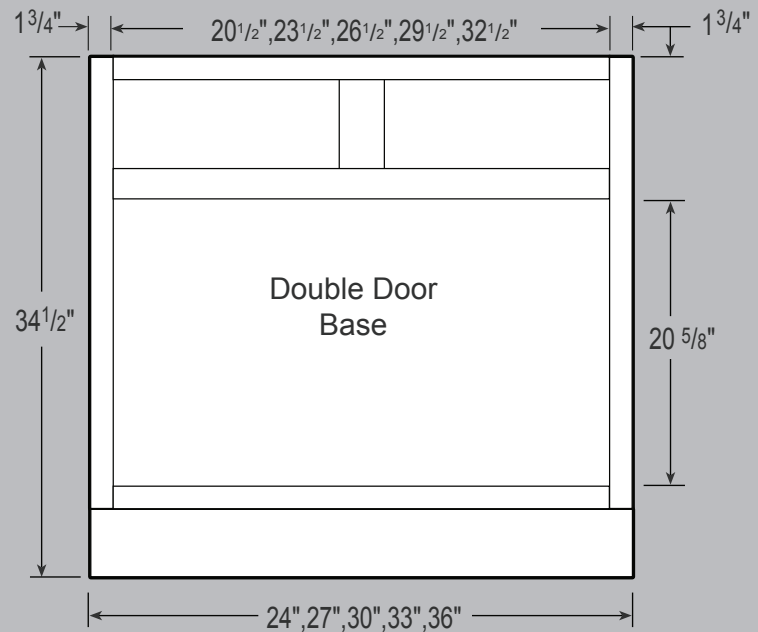
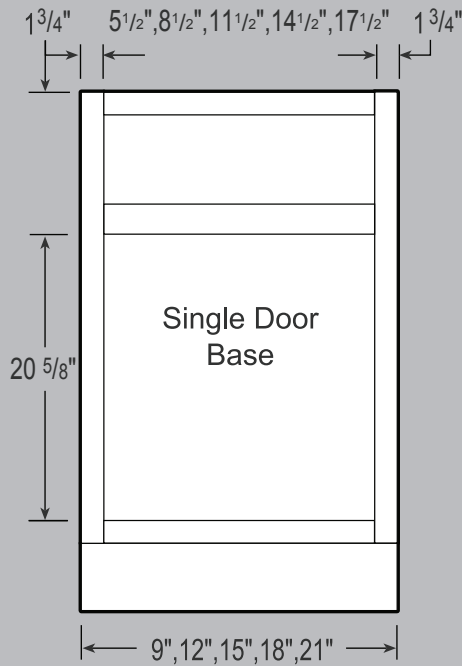
Model	Description	Width	Height	Depth
SD	Dimension	11	15	$\frac{3}{4}$

## CABINET FRAME & OPENING DIMENSIONS - 1 3/4" CW, CS, YW, YC, SW, SG, SA, SD, SC, TW, TD

Height of all base cabinet openings is 20 5/8"

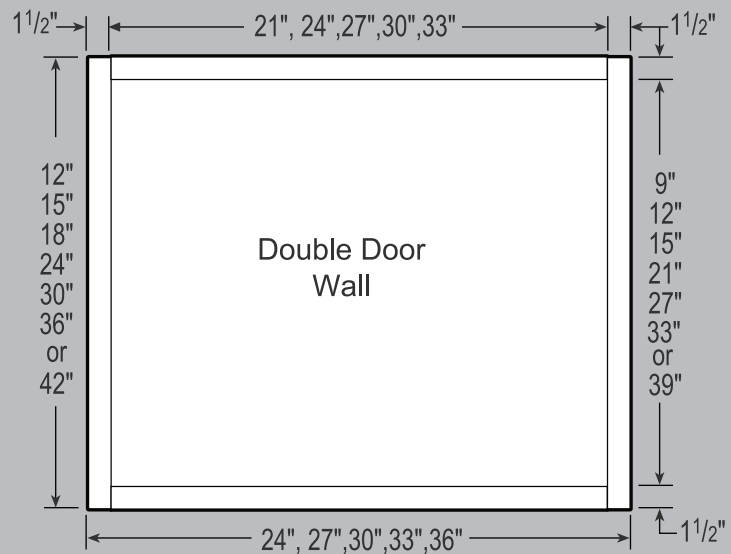
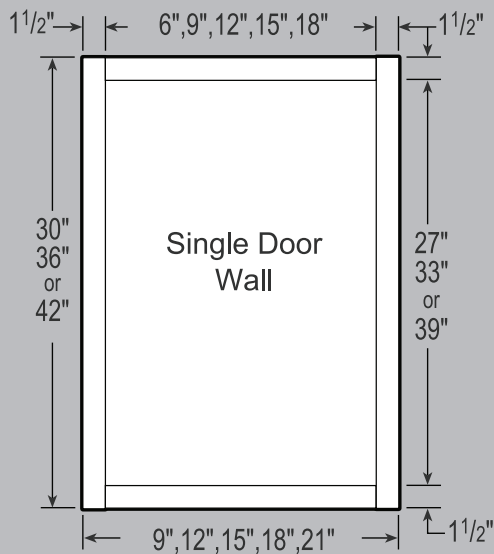
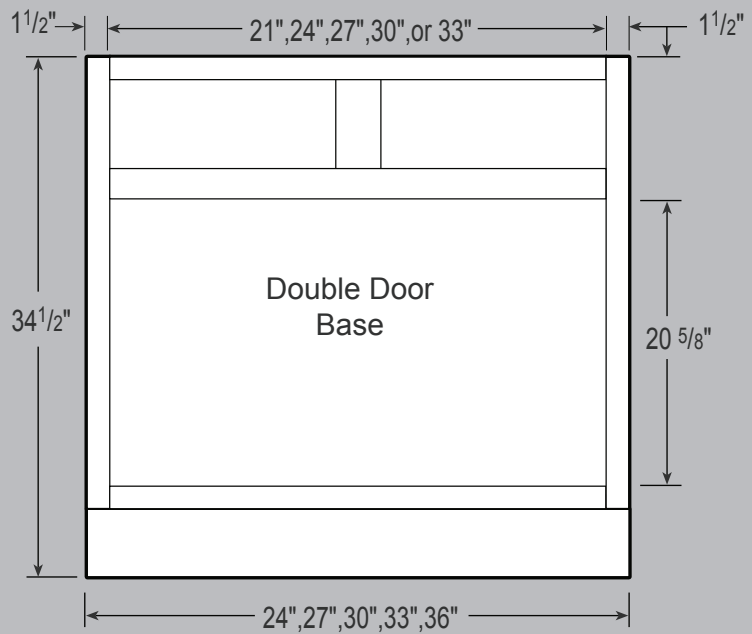
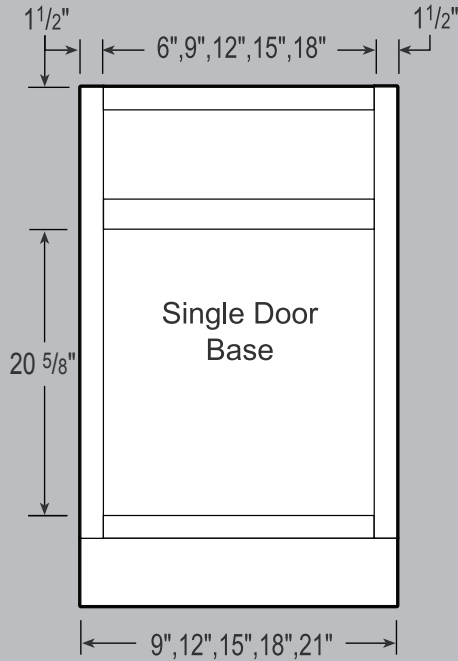
Cabinet Size - 3 1/2" will give you opening

Example B30: 30" - 3 1/2" = 26 1/2"



## CABINET FRAME & OPENING DIMENSIONS - 1 1/2" SE

Height of all base cabinet openings is 20 5/8"  
 Cabinet Size - 3" will give you opening  
 Example B30: 30" - 3" = 27"

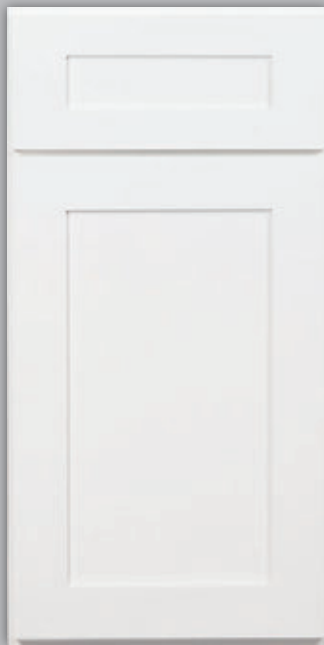


HIGHLAND SKUS & AVAILABILITY

## CASCADE (PROFESSIONAL) SERIES DOOR STYLES & SPECIFICATIONS

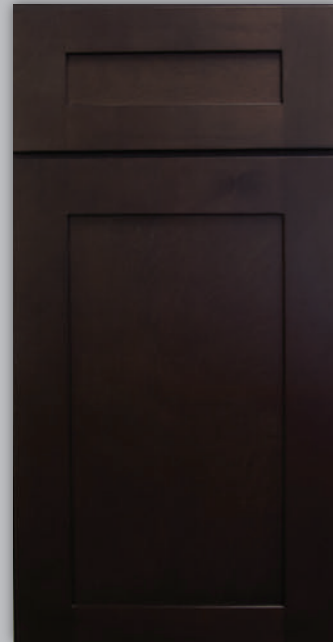
(\*Specifications subject to change without notice)

### SONORA:



**WHITE**

- Framed Cabinet with Full Overlay Doors and Drawers
- Under Mount Epoxy Drawer Glides
- Concealed European Style Hinges
- Five Piece HDF Door
- ½" Plywood Box with UV Coated Matching Exterior
- Glue & Staple or Metal Clip Assembly
- UV Coated Natural Interior



**MOCHA**

- Framed Cabinet with Full Overlay Doors and Drawers
- Under Mount Epoxy Drawer Glides
- Concealed European Style Hinges
- Solid Birch Frame with Veneered HDF Center Panel
- ½" Plywood Box with UV Coated Matching Exterior
- Glue & Staple or Metal Clip Assembly
- UV Coated Natural Interior

**CASCADE (PROFESSIONAL) SERIES DOOR STYLES & SPECIFICATIONS**

(\*Specifications subject to change without notice)

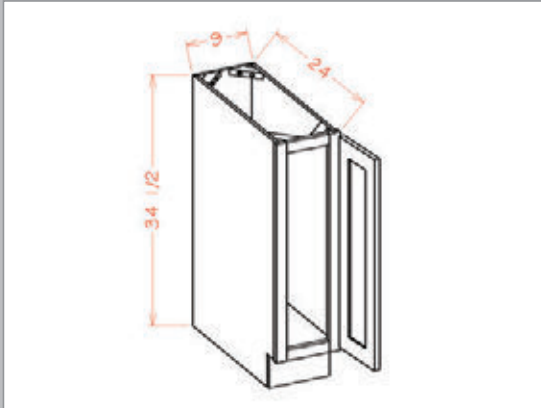
**CONSTRUCTION SPECIFICATIONS:**



CASCADE STYLES

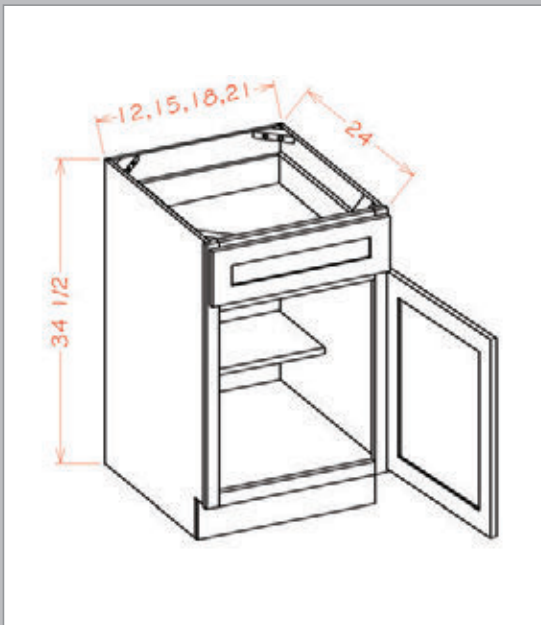
## PRODUCT SPECIFICATIONS - Base Cabinets

### Tray Base



Model	Description	Width	Height	Depth
BT9	Cabinet Dimension	9	34 1/2	24
	Door Dimension	8 1/2	29	3/4

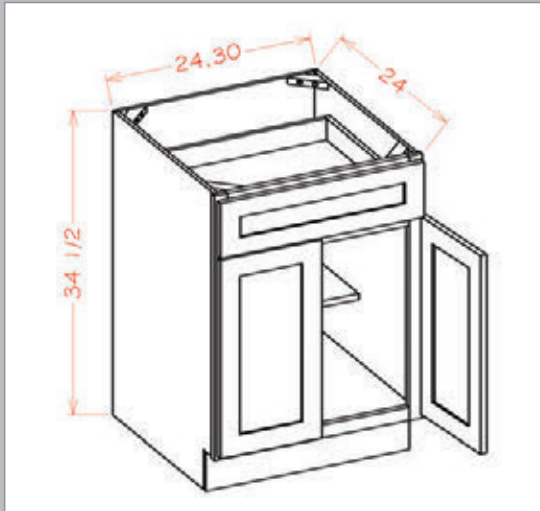
### Single Door Single Drawer Bases



Model	Description	Width	Height	Depth
B12	Cabinet Dimension	12	34 1/2	24
	Door Dimension	11 1/2	22 1/2	3/4
	Drawer Front	11 1/2	6 1/4	3/4
	Drawer Box	8	3 1/4	20 3/8
B15	Cabinet Dimension	15	34 1/2	24
	Door Dimension	14 1/2	22 1/2	3/4
	Drawer Front	14 1/2	6 1/4	3/4
	Drawer Box	11	3 1/4	20 3/8
B18	Cabinet Dimension	18	34 1/2	24
	Door Dimension	17 1/2	22 1/2	3/4
	Drawer Front	17 1/2	6 1/4	3/4
	Drawer Box	14	3 1/4	20 3/8
B21	Cabinet Dimension	21	34 1/2	24
	Door Dimension	20 1/2	22 1/2	3/4
	Drawer Front	20 1/2	6 1/4	3/4
	Drawer Box	17	3 1/4	20 3/8

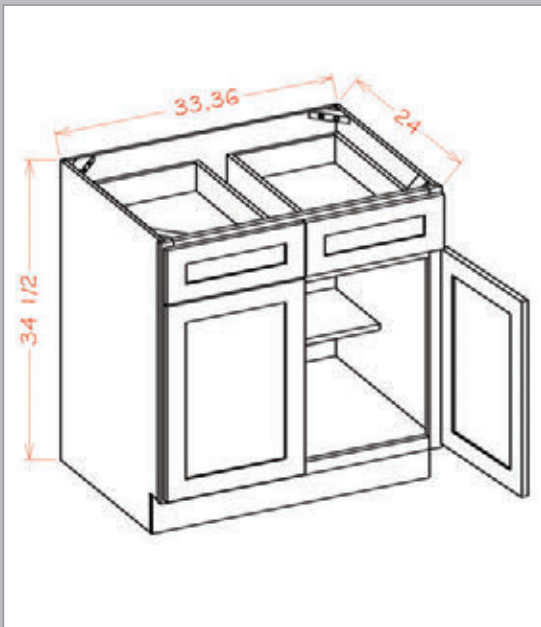
## PRODUCT SPECIFICATIONS - Base Cabinets

### Double Door Single Drawer Bases



Model	Description	Width	Height	Depth
B24	Cabinet Dimension	24	34 1/2	24
	Door Dimension	11 3/4	22 1/2	3/4
	Drawer Front	23 1/2	6 1/4	3/4
	Drawer Box	20	3 1/4	20 3/8
B30	Cabinet Dimension	30	34 1/2	24
	Door Dimension	14 3/4	22 1/2	3/4
	Drawer Front	14 3/4	6 1/4	3/4
	Drawer Box	12	3 1/4	20 3/8

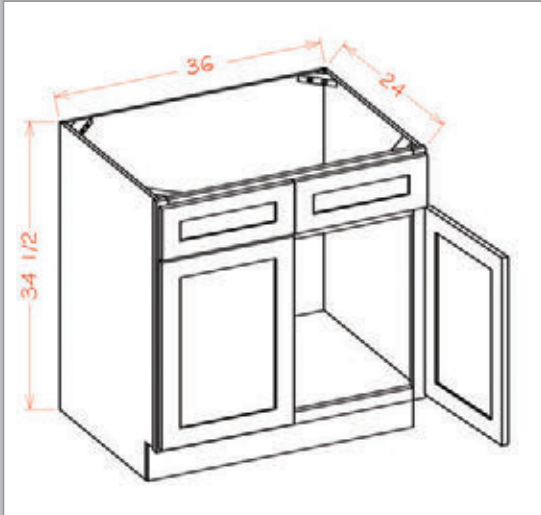
### Double Door Double Drawer Bases



Model	Description	Width	Height	Depth
B33	Cabinet Dimension	33	34 1/2	24
	Door Dimension	16 1/4	22 1/2	3/4
	Drawer Front	16 1/4	6 1/4	3/4
	Drawer Box	13 1/2	3 1/4	20 3/8
B36	Cabinet Dimension	36	34 1/2	24
	Door Dimension	17 3/4	22 1/2	3/4
	Drawer Front	17 3/4	6 1/4	3/4
	Drawer Box	15	3 1/4	20 3/8

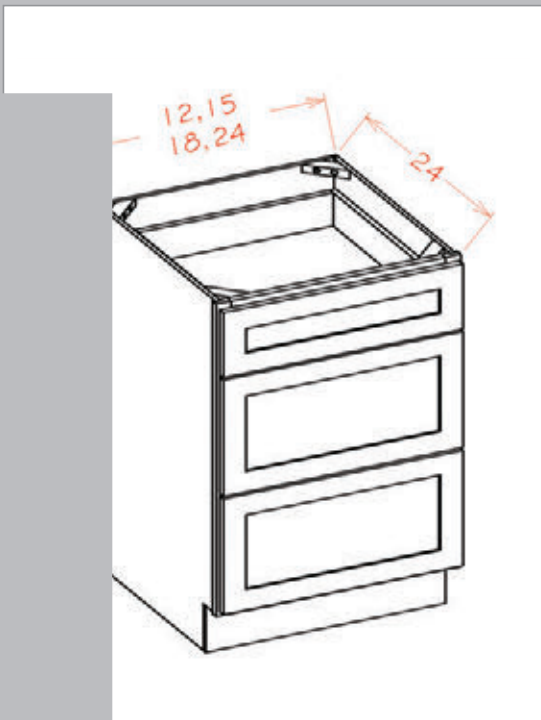
## PRODUCT SPECIFICATIONS - Base Cabinets

### Sink Bases



Model	Description	Width	Height	Depth
SB36	Cabinet Dimension	36	34 1/2	24
	Door Dimension	17 3/4	22 1/2	3/4
	Drawer Front	17 3/4	6 1/4	3/4

### Three Drawer Base

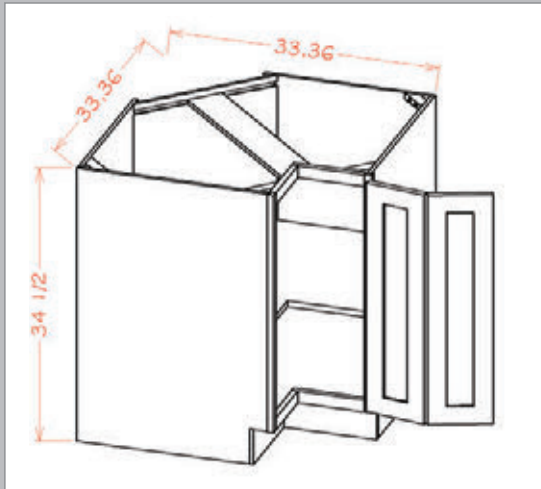


Model	Description	Width	Height	Depth
3DB12	Cabinet Dimension	12	34 1/2	24
	Top Drawer Front	11 1/2	6 1/4	3/4
	Bottom Drawer Front	11 1/2	11 1/8	3/4
	Top Drawer Box	8	3 3/8	20 3/8
	Bottom Drawer Box	8	8 1/4	20 3/8
3DB15	Cabinet Dimension	15	34 1/2	24
	Top Drawer Front	14 1/2	6 1/4	3/4
	Bottom Drawer Front	14 1/2	11 1/8	3/4
	Top Drawer Box	11	3 3/8	20 3/8
	Bottom Drawer Box	11	8 1/4	20 3/8
3DB18	Cabinet Dimension	18	34 1/2	24
	Top Drawer Front	17 1/2	6 1/4	3/4
	Bottom Drawer Front	17 1/2	11 1/8	3/4
	Top Drawer Box	14	3 3/8	20 3/8
	Bottom Drawer Box	14	8 1/4	20 3/8
3DB24	Cabinet Dimension	24	34 1/2	24
	Top Drawer Front	23 1/2	6 1/4	3/4
	Bottom Drawer Front	23 1/2	11 1/8	3/4
	Top Drawer Box	20	3 3/8	20 3/8
	Bottom Drawer Box	20	8 1/4	20 3/8



## PRODUCT SPECIFICATIONS - Base Cabinets

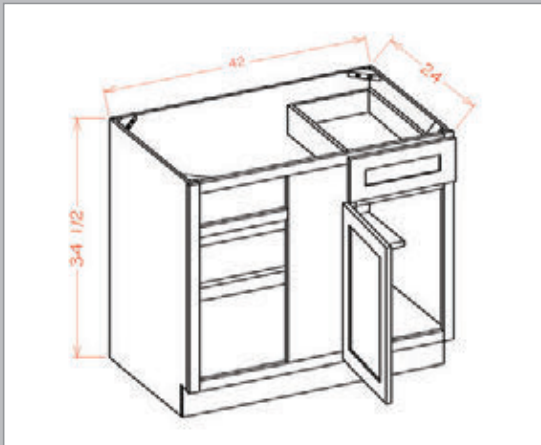
### Lazy Susans



Model	Description	Width	Height	Depth
BER33	Cabinet Dimension	33	34 1/2	33
	Door Dimension	7 5/8	29	3/4
BER36	Cabinet Dimension	36	34 1/2	36
	Door Dimension	10 5/8	29	3/4
LSB33	Cabinet Dimension	33	34 1/2	33
	Door Dimension	7 5/8	29	3/4
LSB36	Cabinet Dimension	36	34 1/2	36
	Door Dimension	10 5/8	29	3/4

- LSB33 Inside Opening is 11.5" W and Wooden Lazy Susan Tray is 27.5" W (Comes in a separate box)
- LSB36 Inside Opening is 15.5" W and Wooden Lazy Susan Tray is 27.5" W (Comes in a separate box)

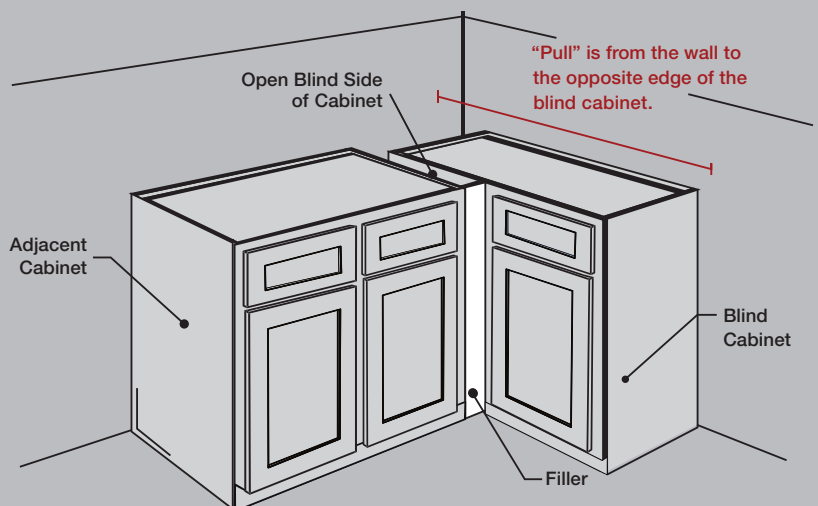
### Blind Bases



Model	Description	Width	Height	Depth
BBC42	Door Opening	12 3/4	20 1/2	22 3/4
	Cabinet Dimension	39	34 1/2	24
	Door Dimension	15 3/4	22 1/2	3/4
	Drawer Front	15 3/4	6 1/4	3/4
	Drawer Box	12 3/8	3 3/8	20 3/8

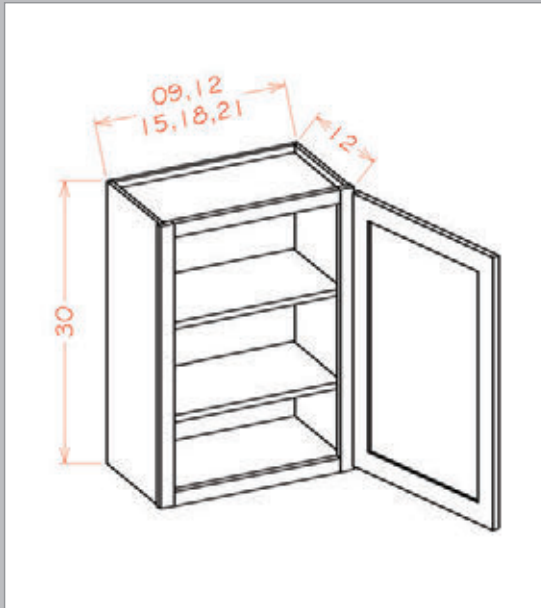
Model	Box Size	Min	Max	Stile
BBC42	39	42 1/2	49	10

- Must Use Filler (not supplied)



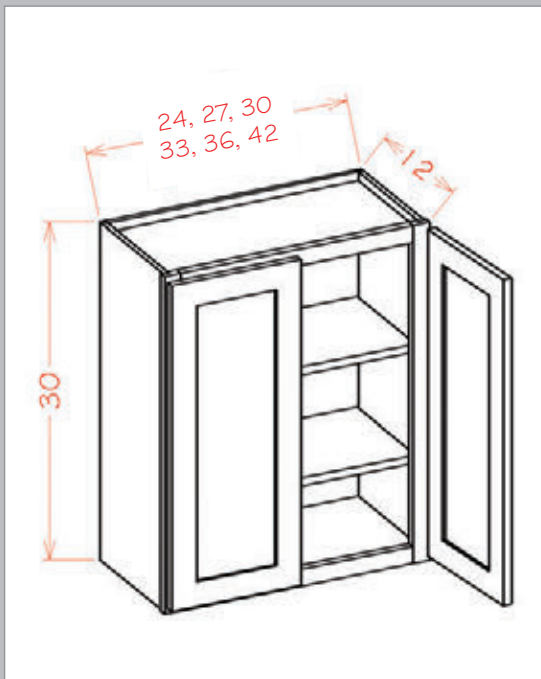
## PRODUCT SPECIFICATIONS - Wall Cabinets

### 30" High Wall Cabinets - Single Door \*2 Adjustable Shelves



Model	Description	Width	Height	Depth
W0930	Cabinet Dimension	9	30	12
	Door Dimension	8 1/2	29	3/4
W1230	Cabinet Dimension	12	30	12
	Door Dimension	11 1/2	29	3/4
W1530	Cabinet Dimension	15	30	12
	Door Dimension	14 1/2	29	3/4
W1830	Cabinet Dimension	18	30	12
	Door Dimension	17 1/2	29	3/4
W2130	Cabinet Dimension	21	30	12
	Door Dimension	20 1/2	29	3/4

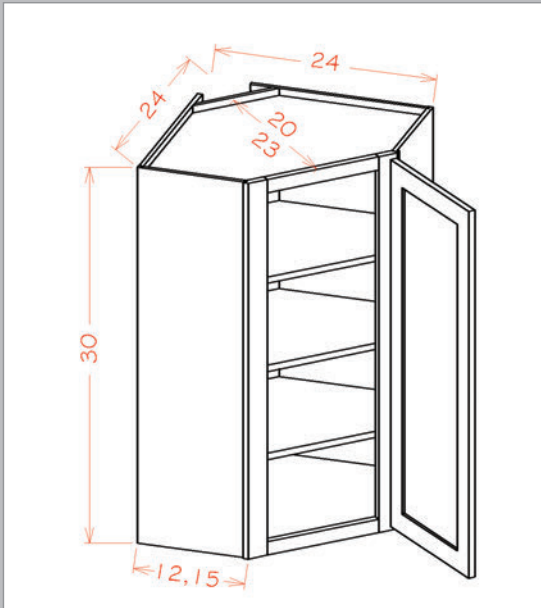
### 30" High Wall Cabinets - Double Door \*2 Adjustable Shelves



Model	Description	Width	Height	Depth
W2430	Cabinet Dimension	24	30	12
	Door Dimension	11 3/4	29	3/4
W2730	Cabinet Dimension	27	30	12
	Door Dimension	13 1/4	29	3/4
W3030	Cabinet Dimension	30	30	12
	Door Dimension	14 3/4	29	3/4
W3330	Cabinet Dimension	33	30	12
	Door Dimension	16 1/4	29	3/4
W3630	Cabinet Dimension	36	30	12
	Door Dimension	17 3/4	29	3/4
W4230	Cabinet Dimension	42	30	12
	Door Dimension	20 3/4	29	3/4

## PRODUCT SPECIFICATIONS - Wall Cabinets

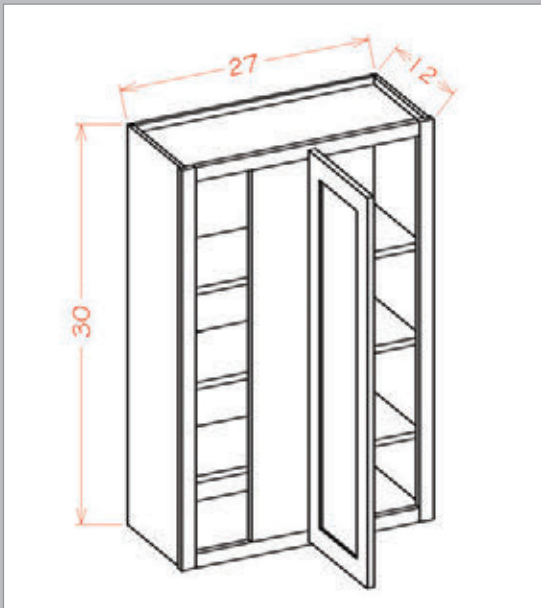
### Diagonal Corner Wall Cabinets



Model	Description	Width	Height	Depth
DCW2430	Cabinet Dimension	24	30	12
	Door Dimension	15 1/4	29	3/4

• DCW Inside Openings are 12 1/8" Wide

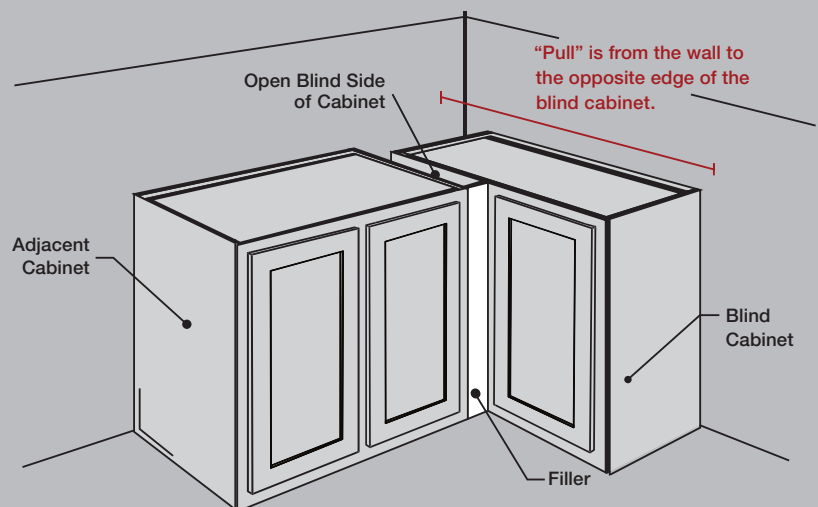
### Wall Blind Cabinets



Model	Description	Width	Height	Depth
WBC2730	Cabinet Dimension	27	30	12
	Door Dimension	12 1/2	29	3/4

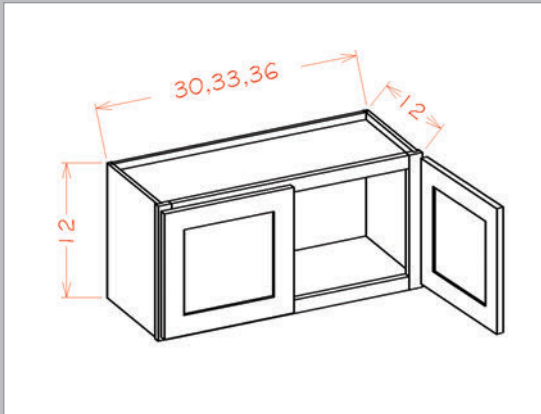
Box Size	Min	Max	Stile
27	28	31	8

• Must Use Filler (not supplied)



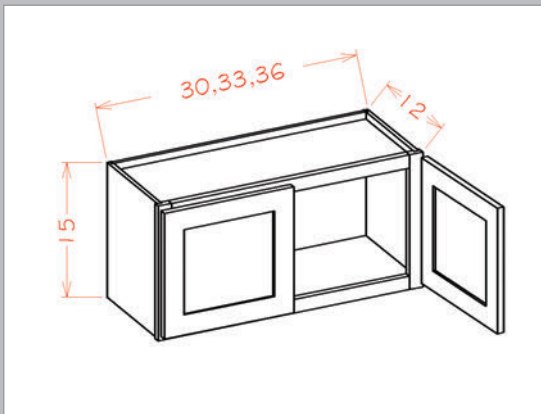
## PRODUCT SPECIFICATIONS - Wall Cabinets

### Bridge Cabinets - 12" High



Model	Description	Width	Height	Depth
W3012	Cabinet Dimension	30	12	12
	Door Dimension	14 <sup>3</sup> / <sub>4</sub>	11	<sup>3</sup> / <sub>4</sub>
W3312	Cabinet Dimension	33	12	12
	Door Dimension	16 <sup>1</sup> / <sub>2</sub>	11	<sup>3</sup> / <sub>4</sub>
W3612	Cabinet Dimension	36	12	12
	Door Dimension	17 <sup>3</sup> / <sub>4</sub>	11	<sup>3</sup> / <sub>4</sub>

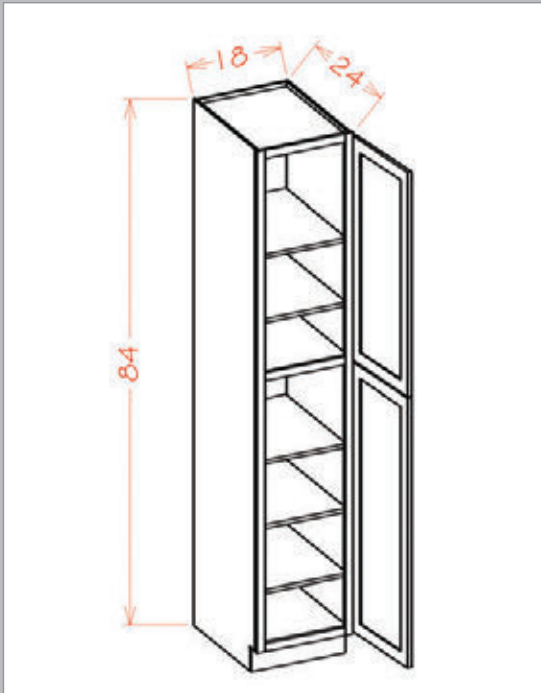
### Bridge Cabinets - 15" High



Model	Description	Width	Height	Depth
W3015	Cabinet Dimension	30	15	12
	Door Dimension	14 <sup>3</sup> / <sub>4</sub>	14	<sup>3</sup> / <sub>4</sub>
W3315	Cabinet Dimension	33	15	12
	Door Dimension	16 <sup>1</sup> / <sub>2</sub>	14	<sup>3</sup> / <sub>4</sub>
W3615	Cabinet Dimension	36	15	12
	Door Dimension	17 <sup>3</sup> / <sub>4</sub>	14	<sup>3</sup> / <sub>4</sub>

## PRODUCT SPECIFICATIONS - Tall Cabinets

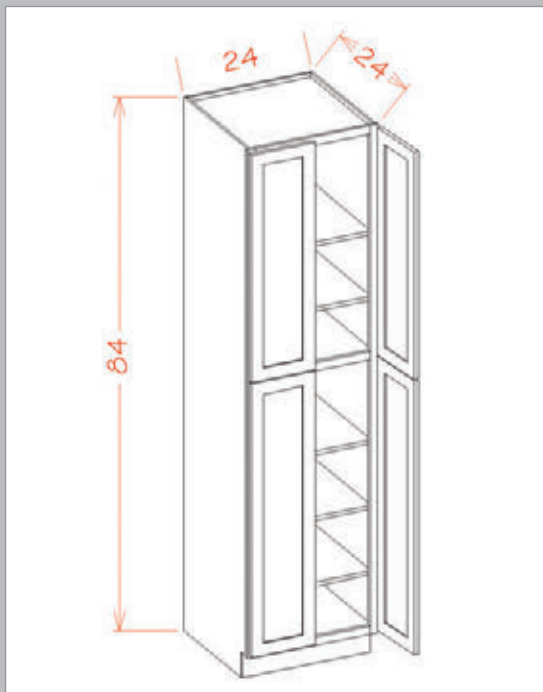
### Utility Cabinets - Two Doors



Model	Description	Width	Height	Depth
U188424	Cabinet Dimension	18	84	24
	Top Door Dimension	17 1/2	29	3/4
	Bottom Door Dimension	17 1/2	49 1/4	3/4

- Shaker, Torrance, & Sonora doors have a horizontal rail in the center of the bottom door.

### Utility Cabinets - Four Doors

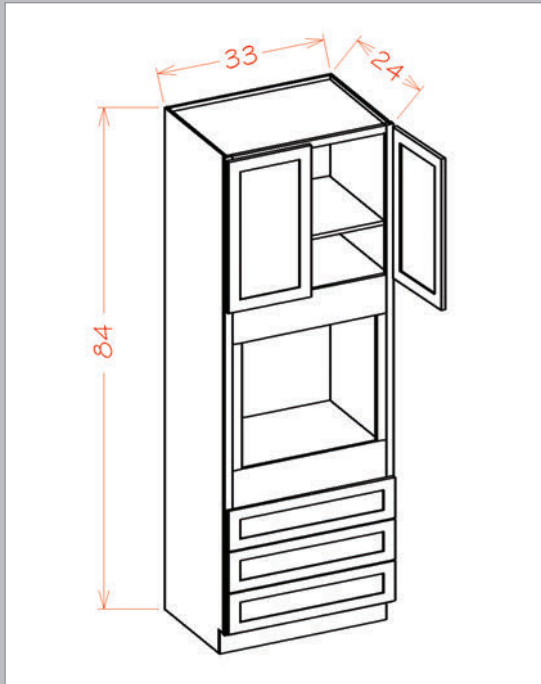


Model	Description	Width	Height	Depth
U248424	Cabinet Dimension	24	84	24
	Top Door Dimension	11 3/4	29	3/4
	Bottom Door Dimension	11 3/4	49 1/4	3/4

- Shaker, Torrance, & Sonora doors have a horizontal rail in the center of the bottom door.

## PRODUCT SPECIFICATIONS - Tall Cabinets

### Oven Cabinets

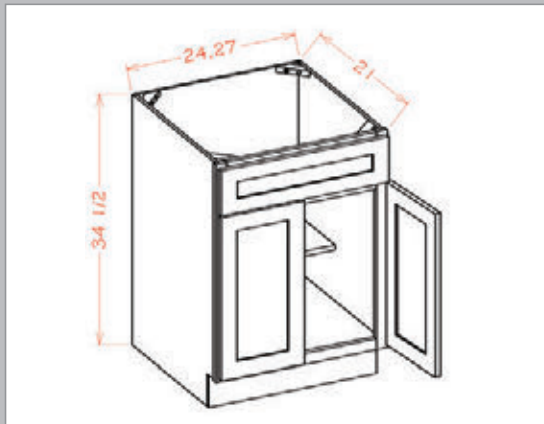


Model	Description	Width	Height	Depth
0338424	Cabinet Dimension	33	84	24
	Door Dimension	16 1/4	17	3/4
	Drawer Fronts	32 1/2	7 3/4	3/4
	Drawer Boxes	29	5 1/8	20 3/8
	Oven Opening	26 1/2	24 3/8	22 3/4

- Oven opening can be modified to accommodate a double oven
- Height up to 40" with removal of top drawers/cut down of top rails
- Width up to 31 1/2" wide with cut down of stiles

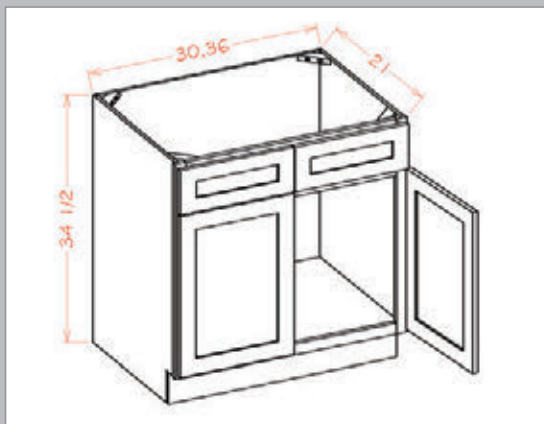
## PRODUCT SPECIFICATIONS - Vanities

### Vanity Sink Bases - Double Door Single Drawer Front



Model	Description	Width	Height	Depth
VS24	Cabinet Dimension	24	34 1/2	21
	Door Dimension	11 3/4	22 1/2	3/4
	Drawer Front	23 1/2	6 1/4	3/4
VS27	Cabinet Dimension	27	34 1/2	21
	Door Dimension	13 1/4	22 1/2	3/4
	Drawer Front	26 1/2	6 1/4	3/4

### Vanity Sink Bases - Double Door Double Drawer Front



Model	Description	Width	Height	Depth
VS30	Cabinet Dimension	30	34 1/2	21
	Door Dimension	14 3/4	22 1/2	3/4
	Drawer Front	14 3/4	6 1/4	3/4
VS36	Cabinet Dimension	36	34 1/2	21
	Door Dimension	17 3/4	22 1/2	3/4
	Drawer Front	17 3/4	6 1/4	3/4

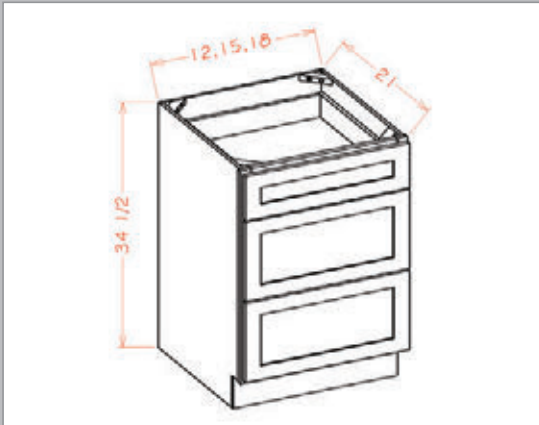
### Vanity Drawer Bases



Model	Description	Width	Height	Depth
3VDB12	Cabinet Dimension	12	34 1/2	21
	Top Drawer Front	11 1/2	6 1/4	3/4
	Bottom Drawer Front	11 1/2	11 1/8	3/4
	Top Drawer Box	8	3 3/8	17 3/8
	Bottom Drawer Box	8	8 1/4	17 3/8
3VDB15	Cabinet Dimension	15	34 1/2	21
	Top Drawer Front	14 1/2	6 1/4	3/4
	Bottom Drawer Front	14 1/2	11 1/8	3/4
	Top Drawer Box	11	3 3/8	17 3/8
	Bottom Drawer Box	11	8 1/4	17 3/8

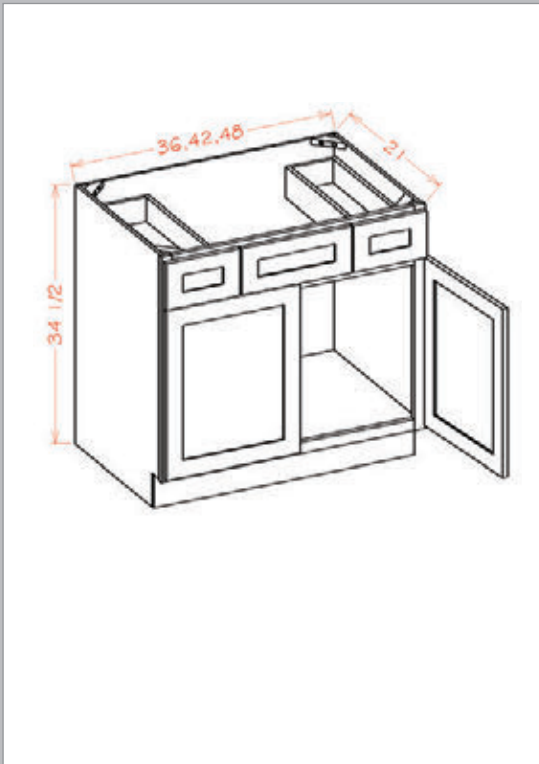
## PRODUCT SPECIFICATIONS - Vanities

### Vanity Drawer Bases - Continued



Model	Description	Width	Height	Depth
3VDB18	Cabinet Dimension	18	34 1/2	21
	Top Drawer Front	17 1/2	6 1/4	3/4
	Bottom Drawer Front	17 1/2	11 1/8	3/4
	Top Drawer Box	14	3 3/8	17 3/8
	Bottom Drawer Box	14	8 1/4	17 3/8

### Vanity Combo Bases



Model	Description	Width	Height	Depth
VSD36	Cabinet Dimension	36	34 1/2	21
	Door Dimension	17 3/4	22 1/2	3/4
	Outside Drawer Front	10 1/4	6 1/4	3/4
	Center Drawer Front	14 1/2	6 1/4	3/4
	Drawer Box	7 3/8	3 1/4	17 3/8
VSD42	Cabinet Dimension	42	34 1/2	21
	Door Dimension	20 3/4	22 1/2	3/4
	Outside Drawer Front	11 1/2	6 1/4	3/4
	Center Drawer Front	18	6 1/4	3/4
	Drawer Box	8 7/8	3 1/4	17 3/8
VSD48	Cabinet Dimension	48	34 1/2	21
	Door Dimension	23 3/4	22 1/2	3/4
	Outside Drawer Front	14 1/2	6 1/4	3/4
	Center Drawer Front	18	6 1/4	3/4
	Drawer Box	11 3/8	3 1/4	17 3/8

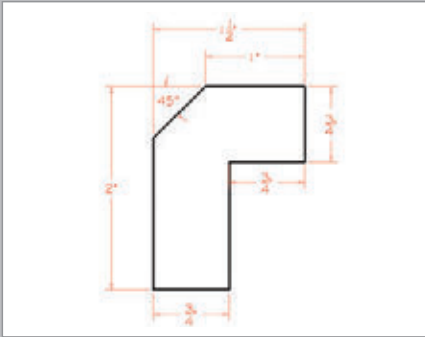
• Center Stile

• Center Stile



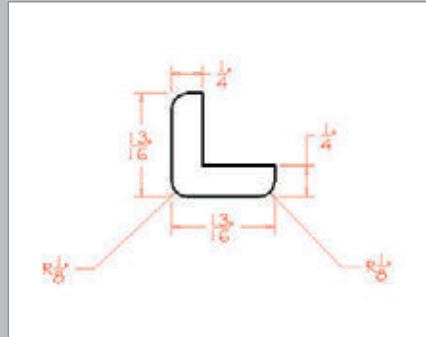
## PRODUCT SPECIFICATIONS - Mouldings

### Mouldings - ALRM



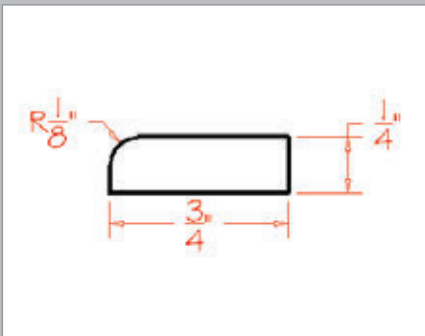
Model	Description	Width	Height	Depth
ALRM	Dimension	96	1	2

### Mouldings - OCM



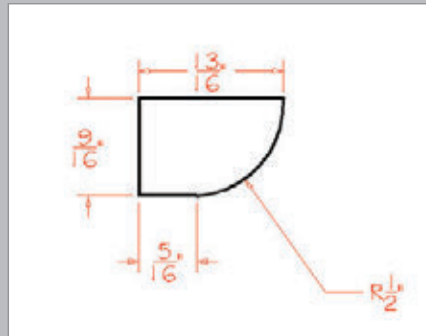
Model	Description	Width	Height	Depth
OCM	Dimension	96	3/4	1/4

### Mouldings - SCR



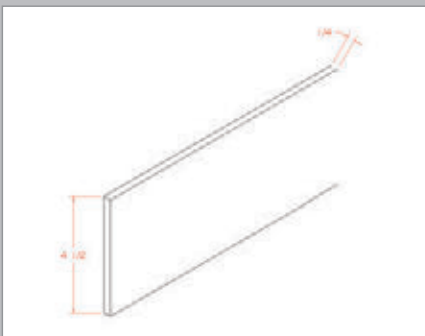
Model	Description	Width	Height	Depth
SCR	Dimension	96	3/4	1/4

### Mouldings - SHM



Model	Description	Width	Height	Depth
SHM	Dimension	96	3/4	1/2

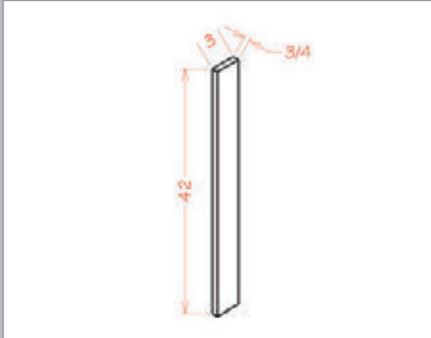
### Mouldings - TKC



Model	Description	Width	Height	Depth
TKC	Dimension	96	4 1/2	1/4

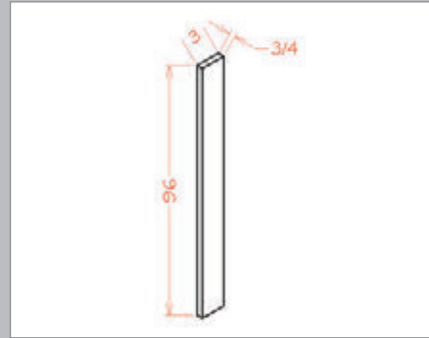
## PRODUCT SPECIFICATIONS - Fillers & Panels

### Fillers - F342



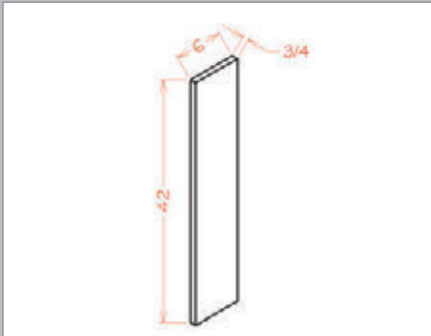
Model	Description	Width	Height	Depth
F342	Dimension	3	42	3/4

### Fillers - F396



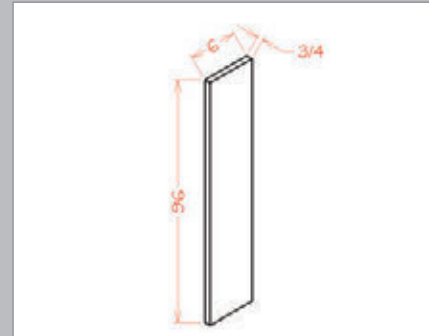
Model	Description	Width	Height	Depth
F396	Dimension	3	96	3/4

### Fillers - F642



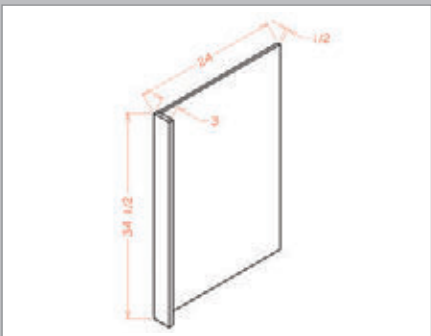
Model	Description	Width	Height	Depth
F642	Dimension	6	42	3/4

### Fillers - F696



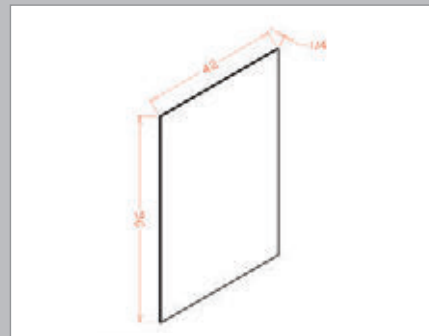
Model	Description	Width	Height	Depth
F696	Dimension	6	96	3/4

### Panels - DWR3



Model	Description	Width	Height	Depth
DWR3	Dimension	3	34 1/2	24

### Panels - FPV4296

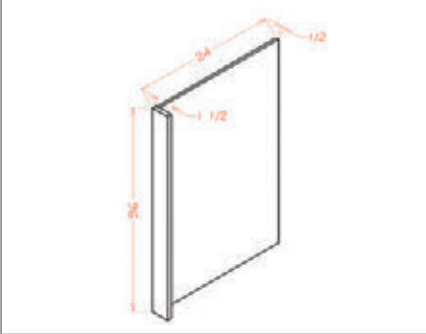


Model	Description	Width	Height	Depth
FPV4296	Dimension	42	96	1/4

- Grain runs long way
- Only finished on one side

## PRODUCT SPECIFICATIONS - Fillers & Panels

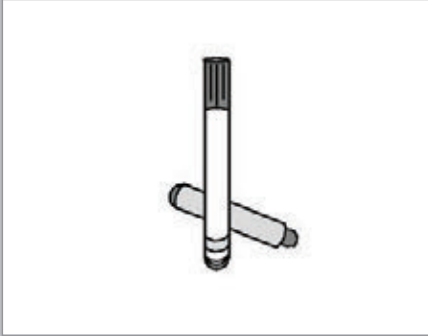
### Panels - REPV2496



Model	Description	Width	Height	Depth
REPV2496	Dimension	1 1/2	96	24

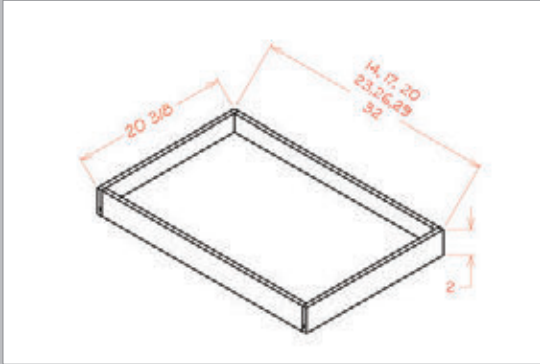
**PRODUCT SPECIFICATIONS - Accessories**

**Touch Up Kit - TUK**



## PRODUCT SPECIFICATIONS - Roll Outs

### Roll Out Shelves

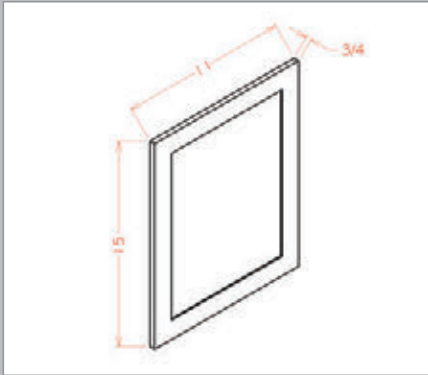


- Side mounted with no soft close

Model	Description	Width	Height	Depth
RS18 - Type B	Dimension	14	2	20 <sup>7</sup> / <sub>16</sub>
RS21 - Type B	Dimension	17	2	20 <sup>7</sup> / <sub>16</sub>
RS24 - Type B	Dimension	20	2	20 <sup>7</sup> / <sub>16</sub>
RS27 - Type B	Dimension	23	2	20 <sup>7</sup> / <sub>16</sub>
RS30 - Type B	Dimension	26	2	20 <sup>7</sup> / <sub>16</sub>
RS33 - Type B	Dimension	29	2	20 <sup>7</sup> / <sub>16</sub>
RS36 - Type B	Dimension	32	2	20 <sup>7</sup> / <sub>16</sub>

## PRODUCT SPECIFICATIONS - Sample Door

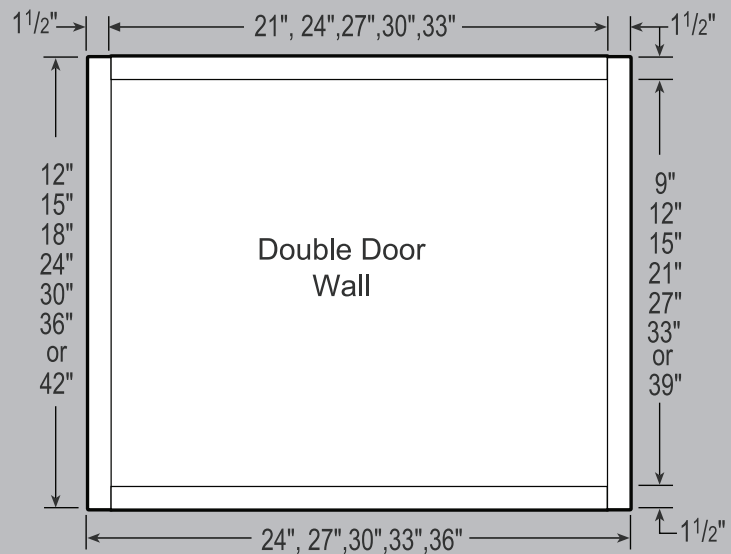
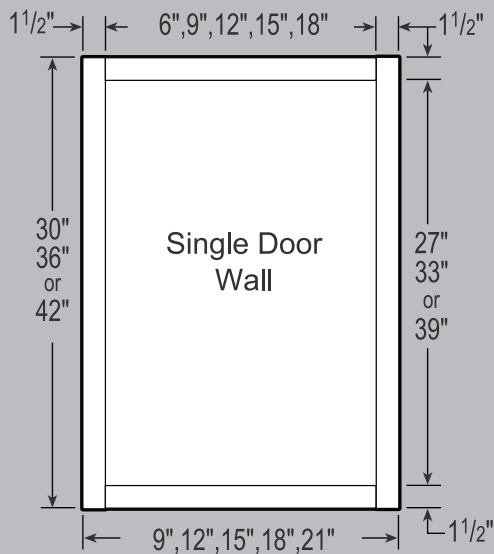
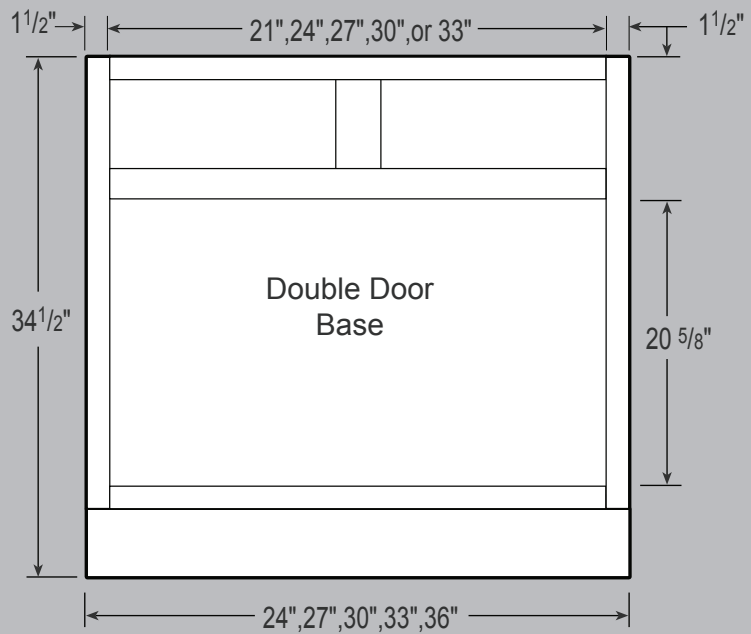
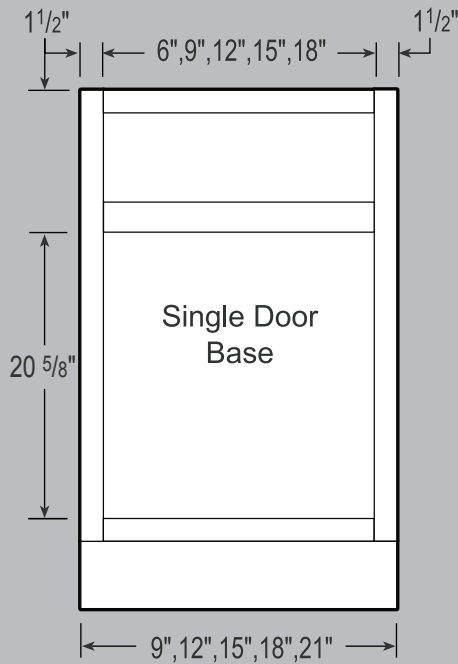
### Sample Door - SD



Model	Description	Width	Height	Depth
SD	Dimension	11	15	<sup>3</sup> / <sub>4</sub>

## CABINET FRAME & OPENING DIMENSIONS - 1 1/2" SM, SMW

Height of all base cabinet openings is 20 5/8"  
Cabinet Size - 3" will give you opening  
Example B30: 30" - 3" = 27"



**USA CABINETS**